

MATERIALS AND FINISHES

BODY, CAP SEE TABLE
PLATED GOLD

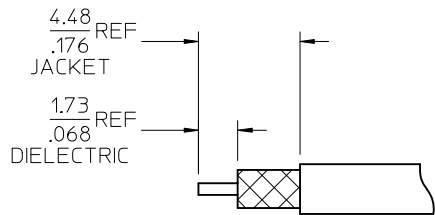
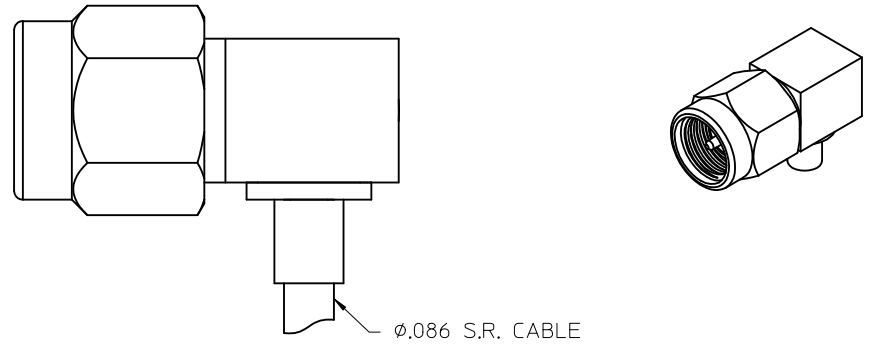
COUPLING NUT SEE TABLE
PLATED GOLD

CENTER CONTACT SEE TABLE
PLATED GOLD

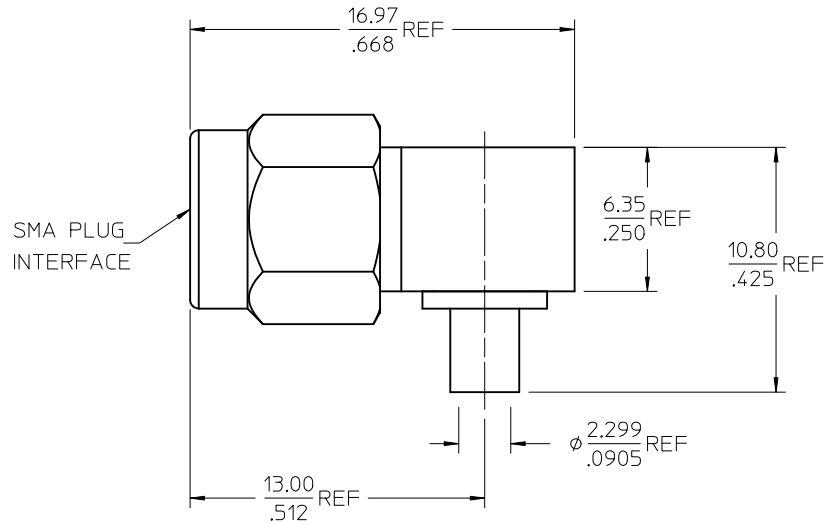
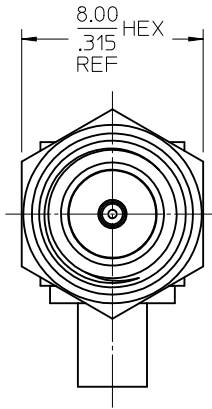
INSULATOR TEFLON

RETAINING RING BERYLLIUM COPPER

GASKET SILICONE RUBBER



RECOMMENDED STRIPPING DIMENSIONS
RG405 WITH JACKET SHOWN



73251-0654	BRASS	BRASS	BRASS	BRASS	BULK
73251-0653	BRASS	BRASS	BRASS	BRASS	SINGLE BAG
73251-0652	STAINLESS STEEL	BERYLLIUM COPPER	STAINLESS STEEL	STAINLESS STEEL	BULK
73251-0651	BRASS	BRASS	BRASS	BRASS	BULK
73251-0650	BRASS	BRASS	STAINLESS STEEL	BRASS	BULK
PART NO.	BODY	CONTACT	COUPLING NUT	CAP	PACKAGING

CHG: UPDATE VIEW	EC NO: URF2013-0460 DRWN: JWIENER 2013/02/08 CHKD: SSS 2013/02/08 APPR: JWIENER 2013/02/11	QUALITY SYMBOLS ▽=0 ▽=0 ▽=0	GENERAL TOLERANCES (UNLESS SPECIFIED)		DIMENSION STYLE	SCALE	DESIGN UNITS	THIRD ANGLE PROJECTION
			mm	INCH	MM/IN	INCH	INCH	
A5	REV	DESCRIPTION	DRAWN BY DATE		TITLE		DOCUMENT NO.	SHEET NO.
			TEF	2002/04/01	SMA PLUG, R/A, SR .086 50 OHMS, EWR-1632 SMA-PC/RA			
DRAFT WHERE APPLICABLE MUST REMAIN WITHIN DIMENSIONS			APPROVED BY DATE		MATERIAL NO.		SD-73251-065	
			GMH 2002/04/01		SEE TABLE			
THIS DRAWING CONTAINS INFORMATION THAT IS PROPRIETARY TO MOLEX INCORPORATED AND SHOULD NOT BE USED WITHOUT WRITTEN PERMISSION								

MATERIALS AND FINISHES

BODY, CAP SEE TABLE
PLATED GOLD

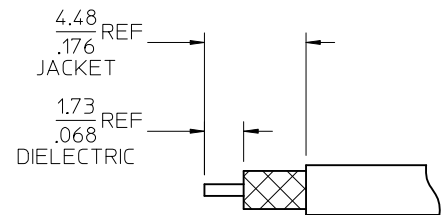
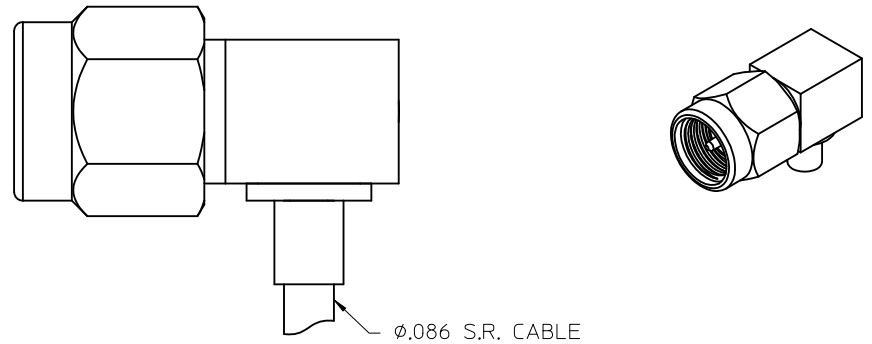
COUPLING NUT SEE TABLE
PLATED GOLD

CENTER CONTACT SEE TABLE
PLATED GOLD

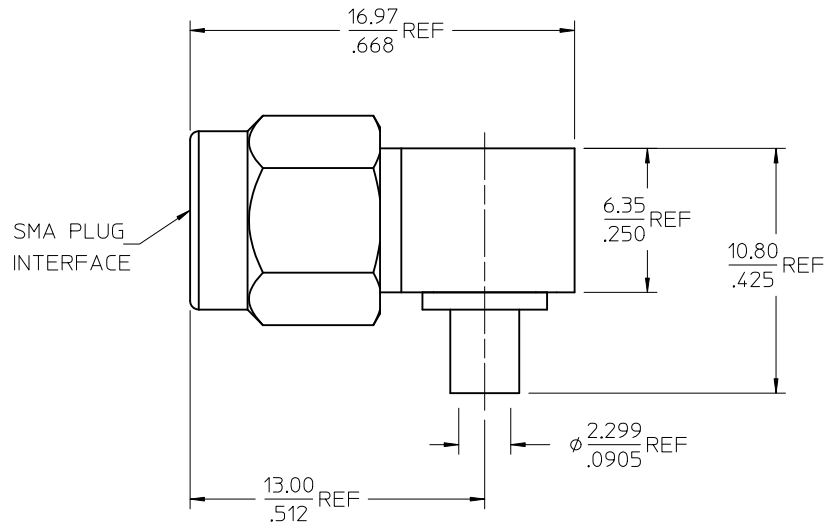
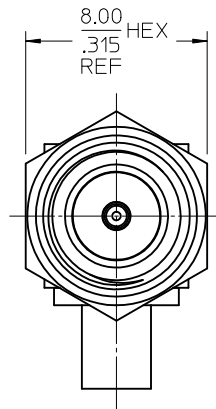
INSULATOR TEFLON

RETAINING RING BERYLLIUM COPPER

GASKET SILICONE RUBBER



RECOMMENDED STRIPPING DIMENSIONS
RG405 WITH JACKET SHOWN



73251-0654	BRASS	BRASS	BRASS	BRASS	BULK
73251-0653	BRASS	BRASS	BRASS	BRASS	SINGLE BAG
73251-0652	STAINLESS STEEL	BERYLLIUM COPPER	STAINLESS STEEL	STAINLESS STEEL	BULK
73251-0651	BRASS	BRASS	BRASS	BRASS	BULK
73251-0650	BRASS	BRASS	STAINLESS STEEL	BRASS	BULK
PART NO.	BODY	CONTACT	COUPLING NUT	CAP	PACKAGING

CHG: UPDATE VIEW	EC NO: URF2013-0460 DRWN: JWIENER 2013/02/08 CHKD: SSS 2013/02/08 APPR: JWIENER 2013/02/11	QUALITY SYMBOLS ∇=0 ∇=0 ∇=0	GENERAL TOLERANCES (UNLESS SPECIFIED)		DIMENSION STYLE	SCALE	DESIGN UNITS	THIRD ANGLE PROJECTION
			mm	INCH	MM/IN	INCH	INCH	
A5	REV	DESCRIPTION	4 PLACES	± ---	± ---	DRAWN BY	DATE	TITLE SMA PLUG, R/A, SR .086 50 OHMS, EWR-1632 SMA-PC/RA
			3 PLACES	± ---	± ---	TEF	2002/04/01	
			2 PLACES	± ---	± ---	CHECKED BY	DATE	DOCUMENT NO. SD-73251-065
			1 PLACE	± ---	± ---	SSS	2002/04/01	
			0 PLACE	±	±	APPROVED BY	DATE	SHEET NO. 1 OF 1
						GMH	2002/04/01	
			ANGULAR ± 2 °		MATERIAL NO.			
			DRAFT WHERE APPLICABLE MUST REMAIN WITHIN DIMENSIONS		SEE TABLE			
					SIZE	THIS DRAWING CONTAINS INFORMATION THAT IS PROPRIETARY TO MOLEX INCORPORATED AND SHOULD NOT BE USED WITHOUT WRITTEN PERMISSION		