

MATERIALS AND FINISHES

BODY: ZINC ALLOY
PLATED NICKEL

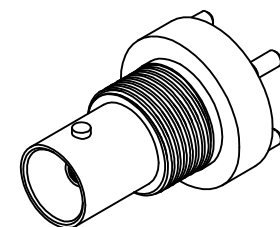
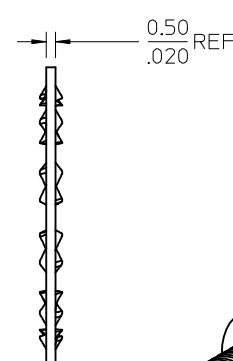
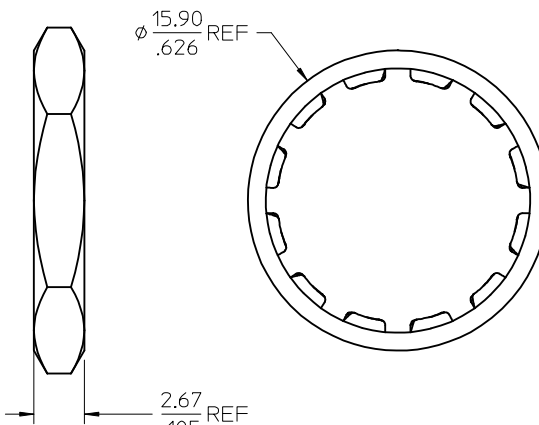
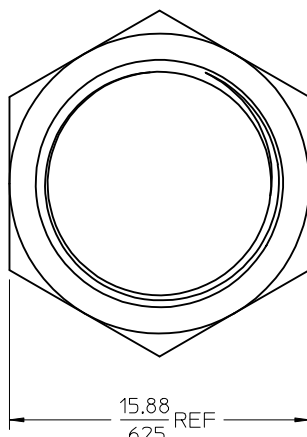
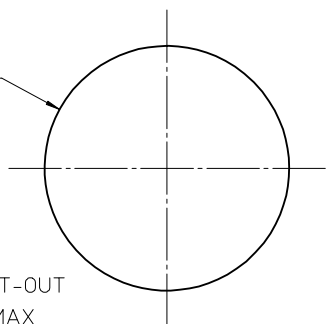
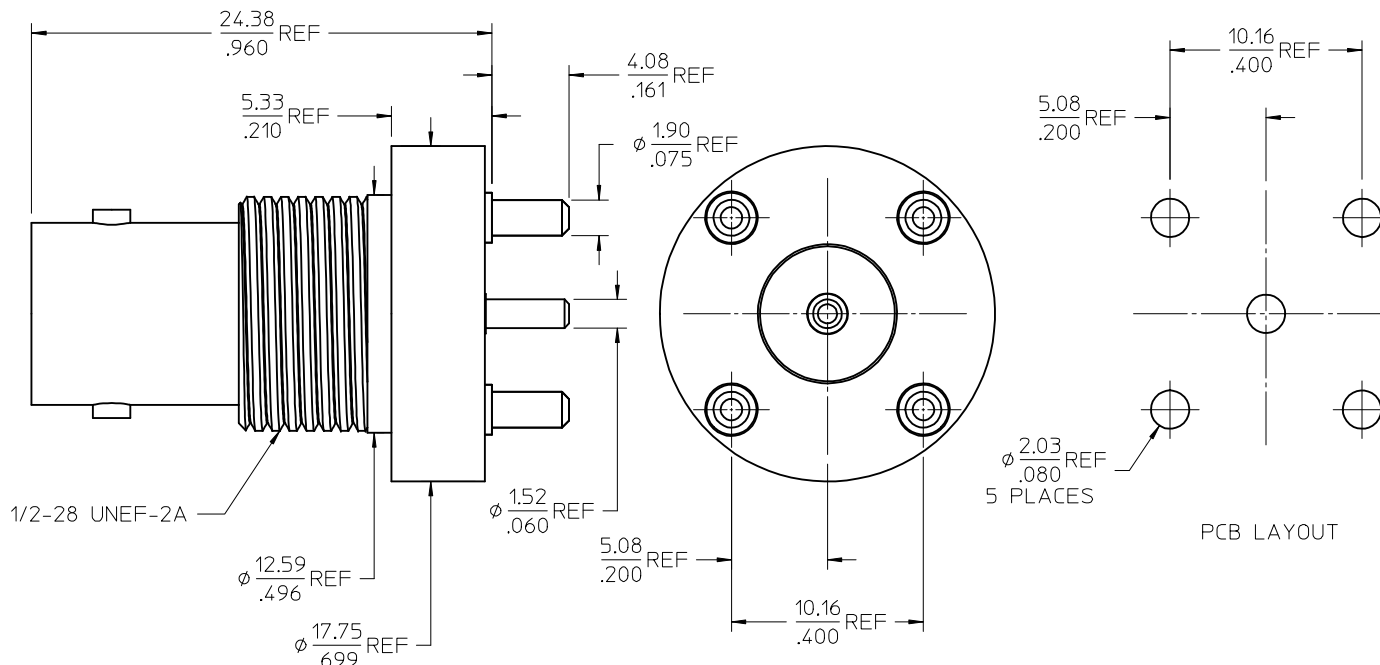
CONTACT: BERYLLIUM COPPER
PLATED GOLD

JAM NUT: BRASS
PLATED NICKEL

POSTS: BRASS
PLATED TIN

INSULATOR: TEFLON

LOCK WASHER: PHOSPHOR BRONZE
PLATED NICKEL



73171-3371	INCLUDED
73171-3370	NOT INCLUDED
PART NO.	HARDWARE

CHG: UPDATE VIEWS EC NO: URF2013-0421 DRWN: JWIENER 2013/01/25 CHKD: SSS 2013/01/25 APPR: JWIENER 2013/01/28	QUALITY SYMBOLS ▽=0 ▽=0	GENERAL TOLERANCES (UNLESS SPECIFIED)	DIMENSION STYLE MM/IN	SCALE METRIC	DESIGN UNITS METRIC	THIRD ANGLE PROJECTION
		4 PLACES ± --- ± --- 3 PLACES ± --- ± --- 2 PLACES ± --- ± --- 1 PLACE ± --- ± ---	DRAWN BY DATE AZR 2008/02/18 CHECKED BY DATE SSS 2008/02/18 APPROVED BY DATE JWIENER 2012/12/14	TITLE BNC JACK, 75 OHM VERT BH PCB TH BNC-J/PCB, EWR-3555		MOLEX INCORPORATED
		ANGULAR ± 2 °	MATERIAL NO. SEE TABLE	DOCUMENT NO. SD-73171-337	SHEET NO. 1 OF 1	
		DRAFT WHERE APPLICABLE MUST REMAIN WITHIN DIMENSIONS	SIZE C	THIS DRAWING CONTAINS INFORMATION THAT IS PROPRIETARY TO MOLEX INCORPORATED AND SHOULD NOT BE USED WITHOUT WRITTEN PERMISSION		