

**PLEASE CHECK WWW.MOLEX.COM FOR LATEST PART INFORMATION**

**Part Number:** [0731315003](#)  
**Status:** **Active**  
**Overview:** [BNC Miniature RF Connectors and Cable Assemblies](#)  
**Description:** BNC 50 Ohm, Vertical PCB Bulkhead Jack Receptacle, Panel Isolated, Black PBT Housing

**Documents:**

[3D Model](#) [Drawing \(PDF\)](#)  
[3D Model \(PDF\)](#) [RoHS Certificate of Compliance \(PDF\)](#)

**General**

Product Family	RF/Coax Connectors
Series	<a href="#">73131</a>
Overview	<a href="#">BNC Miniature RF Connectors and Cable Assemblies</a>
Product Name	BNC
Style	PCB
Taxonomy	RF / Coaxial Connectors
Type	Miniature
UPC	800753535800
Wire/Cable Type	N/A

**Physical**

Cable Attachment	N/A
Gender	Jack
Keying to Mating Part	None
Net Weight	15.295/g
Orientation	Straight
PCB Mounting	Through Hole
PCB Thickness - Recommended	3.20mm
Packaging Type	Tray
Panel Mount	Yes
Panel Mount Method	Bulkhead
Reverse Polar	No

**Electrical**

Frequency	2 GHz
Impedance	50Ω
Power / Voltage	VOLTAGE: 500 Vrms@Sea Level

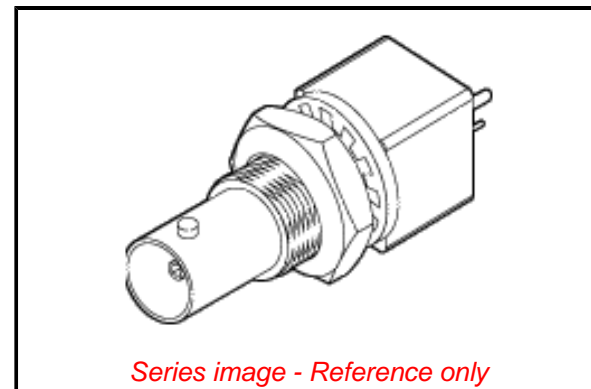
**Solder Process Data**

Lead-freeProcess Capability	WAVE
Max. Cycles at Max. Process Temperature	002
Process Temperature max. C	245

**Material Info**

**Reference - Drawing Numbers**

Sales Drawing	SD-73131-5003-001
---------------	-------------------



**EU ELV**

**Not Relevant**

**EU RoHS**

**Compliant with Exemption 6(c)**

**REACH SVHC**

Contained Per - ED/71/2019 (16 July 2019)

Lead

**Halogen-Free**

**Status**

**Not Low-Halogen**

For more information, please visit [Contact US](#)

China ROHS

50 Image

ELV

Not Relevant

RoHS Phthalates

Not Contained

**Search Parts in this Series**

[73131 Series](#)