

**PLEASE CHECK WWW.MOLEX.COM FOR LATEST PART INFORMATION**

**Part Number:** [0731000135](#)  
**Status:** **Active**  
**Overview:** [TNC RF Connectors](#)  
**Description:** 50 Ohms, TNC Right-Angle, PCB, Jack Receptacle, Body Nickel Plated Zinc Alloy

**Documents:**

[3D Model](#) [3D Model \(PDF\)](#)  
[Drawing \(PDF\)](#) [RoHS Certificate of Compliance \(PDF\)](#)

**General**

Product Family [RF/Coax Connectors](#)  
 Series [73216](#)  
 Overview [TNC RF Connectors](#)  
 Product Name [TNC](#)  
 Style [PCB](#)  
 Taxonomy [RF / Coaxial Connectors](#)  
 Type [Miniature](#)  
 UPC [800753686465](#)  
 Wire/Cable Type [N/A](#)

**Physical**

Gender [Jack](#)  
 Keying to Mating Part [None](#)  
 Net Weight [17.515/g](#)  
 Orientation [Right Angle](#)  
 PCB Mounting [Through Hole](#)  
 PCB Thickness - Recommended [2.40mm](#)  
 Packaging Type [Tray](#)  
 Panel Mount [No](#)  
 Panel Mount Method [N/A](#)  
 Reverse Polar [No](#)

**Electrical**

Frequency [11 GHz](#)  
 Impedance [50Ω](#)  
 Power / Voltage [VOLTAGE: 500 Vrms@Sea Level](#)

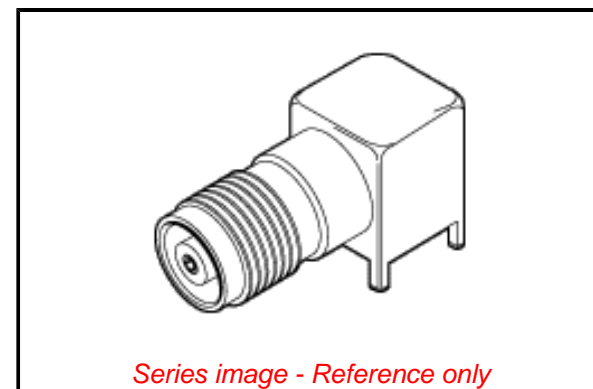
**Solder Process Data**

Duration at Max. Process Temperature (seconds) [010](#)  
 Lead-freeProcess Capability [SMC&WAVE](#)  
 Max. Cycles at Max. Process Temperature [002](#)  
 Process Temperature max. C [260](#)

**Material Info**

**Reference - Drawing Numbers**

Sales Drawing [SD-73100-0135-001, SD-73216-271-001](#)



*Series image - Reference only*

**EU ELV**

**Not Relevant**

**EU RoHS**

**Compliant with Exemption 6(c)**

**REACH SVHC**

Contained Per -  
 D(2022)4187-DC (10  
 June 2022)

Lead

**Halogen-Free**

**Status**

**Low-Halogen**

For more information, please visit [Contact US](#)

China ROHS

ELV

RoHS Phthalates

**China RoHS**

50 Image

Not Relevant

Not Contained

**Search Parts in this Series**

[73216 Series](#)