

7 6 5 4 3 2 1

E

E

D

D

C

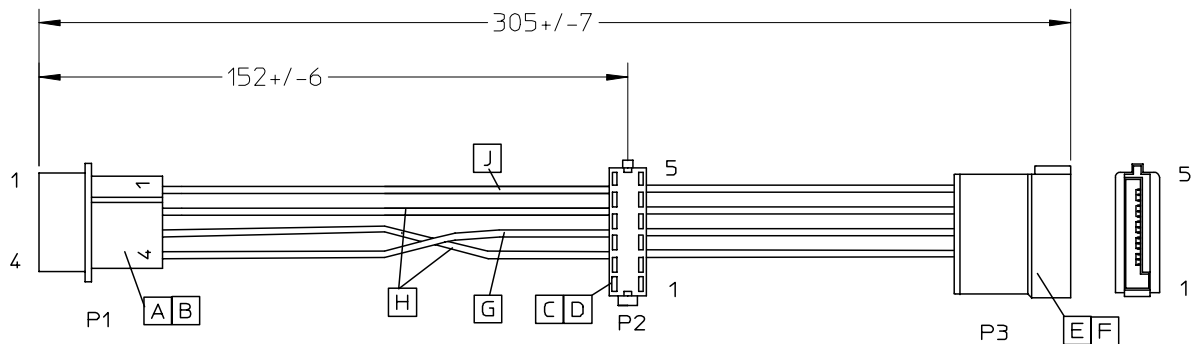
C

B

B

A

A



PIN ASSIGNMENT			
P1	P2	P3	WIRE COLOR
	1	1	N.C
3	2	2	BLACK
4	3	3	RED
2	4	4	BLACK
1	5	5	YELLOW

J	UL1007 #18 YEL 172000514		276REF
H	UL1007 #18 BLK 172000512		552REF
G	UL1007 #18 RED 172000513		276REF
F	S-ATA CONTACT 675810000	4 PCS	
E	S-ATA HOUSING 675820000	1 PCS	
D	IDT COVER 679260041	1 PCS	
C	IDT S-ATA 679260015	1 PCS	
B	4P CONTACT 887899491	4 PCS	
A	4P HOUSING 887899490	1 PCS	
ITEM	DESCRIPTION	Q'TY	L

NOTE: THIS PRODUCT MUST MEET MOLEX ROHS COMPLIANCE.

ENTER DESCRIPTION EC NO: DG2006-0074 DRWN: 2005/10/19 CHKD: DQLUO 2005/10/19 APPR: DQLUO 2005/10/20 A	QUALITY SYMBOLS ▽=0 ◻=0	GENERAL TOLERANCES (UNLESS SPECIFIED)		DIMENSION STYLE MM ONLY		SCALE ---	DESIGN UNITS METRIC	THIRD ANGLE PROJECTION		
			mm	INCH	DRAWN BY JLIU13	DATE 2005/10/07	TITLE SATA POWER CBL 15 PIN POWER F TO 15 PIN POWER F + 4 PIN M 6IN			
		4 PLACES	±---	±---	CHECKED BY DQLUO	DATE 2005/10/07	MOLEX INCORPORATED			
		3 PLACES	±---	±---	APPROVED BY BORON	DATE 2005/10/07	MATERIAL NO. 688090004	DOCUMENT NO. SD-68809-004	SHEET NO. 1 OF 1	
2 PLACES	±---	±---	ANGULAR ±---°		THIS DRAWING CONTAINS INFORMATION THAT IS PROPRIETARY TO MOLEX INCORPORATED AND SHOULD NOT BE USED WITHOUT WRITTEN PERMISSION					
1 PLACE	±---	±---	DRAFT WHERE APPLICABLE MUST REMAIN WITHIN DIMENSIONS							

6 5 4 3 2 1