

7

6

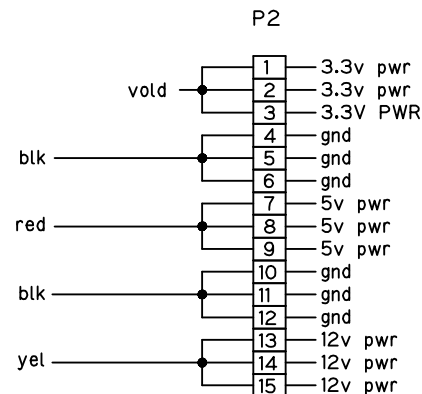
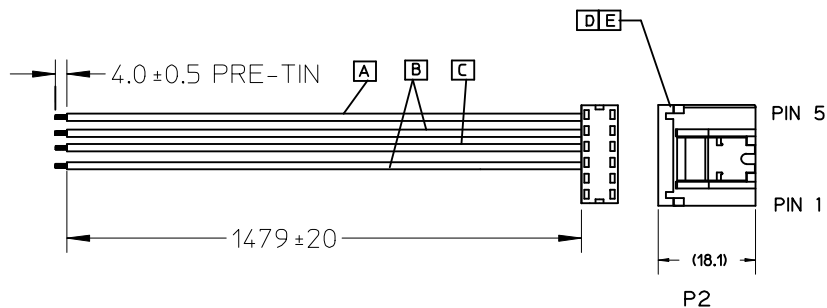
5

4

3

2

1



NOTE: 1. ELECTRIC PERFORMANCE: (オ酥 ヤトフ)

DIELECTRIC STRENGTH: 500/0.01S V DC.(ス筋断ソカネヨアチ00V/0.01テ)

INSULATION RESISTANCE :100M OHMS MIN.(セ オラ 登ケラ 障.100ユラナキ)

CONDUCTIVE RESISTANCE:2 OHMS MAX.(オシフ 登ケラ 鋸0ナキトキ)

2.S-ATA HOUSING:

POLYESTER(PBT), UL94V-0(BLACK)

| | | |
|-------------|-------------|-----------------------------|
| 68561-0021 | 679260002 | 30u' Gold - plated terminal |
| 68561-0020 | 679260001 | Gold flash terminal |
| MATERIAL NO | S-ATA CONN. | DESCRIPTION |

| | | | |
|------|--------------------------|-----|-------|
| E | COVER 679261040 | 1 | |
| D | S-ATA CONN. : SEE TABLE | 1 | |
| C | UL1430 #18 RED 887714301 | 1 | 1485 |
| B | UL1430 #18 BLK 887714300 | 2 | 2970 |
| A | UL1430 #18 YEL 887714303 | 1 | 1485 |
| ITEM | DESCRIPTION | QTY | L(mm) |

| | | | | | | | | | | |
|---|-------------------------------|---|--|-----------------------------------|------------------|---|------------------------------|------------------------|--|--|
| ENTER DESCRIPTION EC NO: CPG2014-1666 DRWN: JXIA004 CHKD: GXYANG APPR: FNIE 2013/12/04 2013/12/04 2013/12/09 | QUALITY SYMBOLS ▽=0 ◻=0 | GENERAL TOLERANCES (UNLESS SPECIFIED) | | DIMENSION STYLE MM ONLY | | SCALE --- | DESIGN UNITS METRIC | THIRD ANGLE PROJECTION | | |
| | | | | DRAWN BY GXYANG | DATE 04/08/10 | TITLE S-ATA IDT POWER LATCHING TO PIGTAIL CABLE ASSEMBLY 1.5M (5V+12V) | | | | |
| | | | | CHECKED BY TEDDY | DATE 04/08/10 | MOLEX INCORPORATED | | | | |
| | | | | APPROVED BY BORON | DATE 04/08/10 | MATERIAL NO. 685610020/1 | DOCUMENT NO. SD-68561-004 | SHEET NO. 1 OF 1 | | |
| DRAFT WHERE APPLICABLE MUST REMAIN WITHIN DIMENSIONS | | THIS DRAWING CONTAINS INFORMATION THAT IS PROPRIETARY TO MOLEX INCORPORATED AND SHOULD NOT BE USED WITHOUT WRITTEN PERMISSION | | | | | | | | |

6

5

4

3

2

1