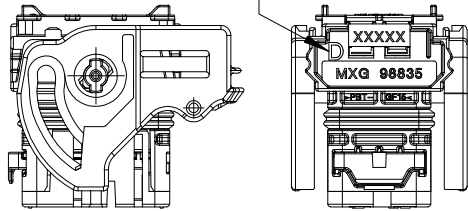


**FEMALE MODULE 22 WAY
WITH REAR SEAL COVER CMC 22 WAY**

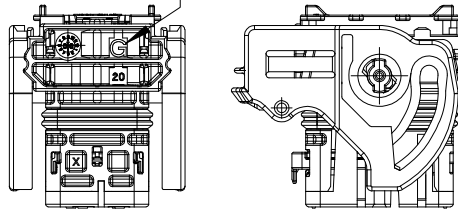
FEMALE MODULE RIGHT WIRE OUTPUT

RIGHT MARKING: "D"



FEMALE MODULE LEFT WIRE OUTPUT

LEFT MARKING: "G"



**MOLEX
PART NUMBERS**

COLOR

**MOLEX
PART NUMBERS**

COLOR

0643261001

BLACK

0643261002

BLACK

0643261005

BROWN

0643261006

BROWN

0643261009

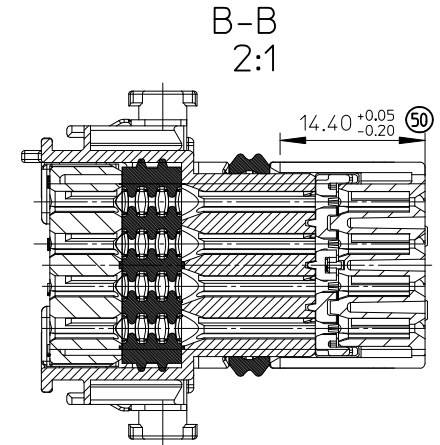
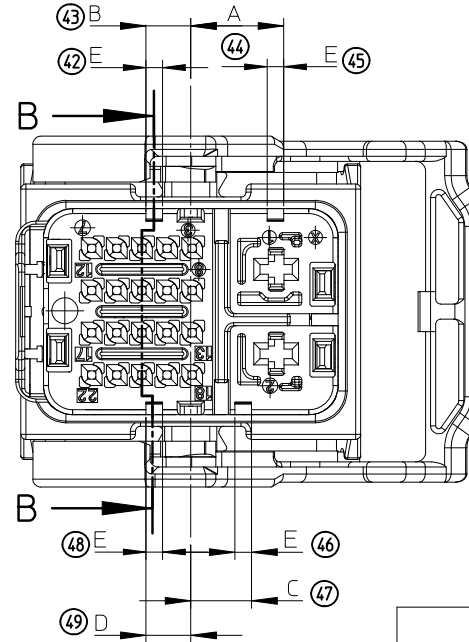
BLUE

0643261010

BLUE

ASSOCIATED TERMINALS

CAVITIES N°	TERMINAL	PLATING	MOLEX P/N*	WIRE SEAL P/N*	MIN / MAX WIRE INSULATION DIAMETER		
1 to 2	CP2.8 0.50mm2 to 1mm2	Tin plated	0643241049	0643251332	∅1.40 min / ∅2.15 Max		
		Gold plated	0643241149				
	>1mm2 to 2mm2	Tin plated	0643241039	0643251345		∅2.10 min / ∅2.80 Max	
		Gold plated	0643241139				
	>2mm2 to 3mm2	Tin plated	0643241029	0643251358			∅2.65 min / ∅3.45 Max
		Gold plated	0643241129				
>3mm2 to 5mm2	Tin plated	0643241019	0643251366	∅3.40 min / ∅4.00 Max			
	Gold plated	0643241119					
3 to 22	CP0.6 0.35mm2	Tin plated	0643221019		/	∅1.25 min / ∅1.40 Max	
		Gold plated	0643221229				
	0.50mm2	Tin plated	0643221039		/		∅1.40 min / ∅1.70 Max
		Gold plated	0643221239				
	0.75mm2	Tin plated	0643221029	/	∅1.60 min / ∅1.90 Max		
		Gold plated	0643221219				

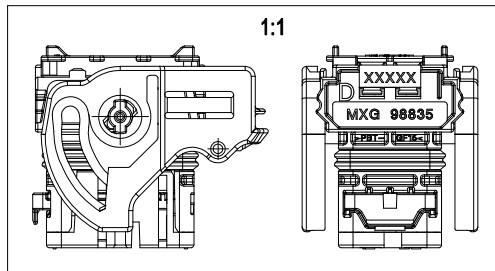


CODINGS

COLOR	A ^{+0.10} / ₀	B ^{+0.10} / ₀	C ^{+0.10} / ₀	D ^{+0.10} / ₀	E ^{+0.10} / ₀
BLACK	9.2	4.4	6.0	4.4	1.6
BROWN	6.0	7.6	9.2	9.2	1.6
BLUE	7.55	6.0	9.15	6.0	1.6

NOTES:

- FOR ILLUSTRATION PURPOSE THE FEMALE MODULE SHOWN IS THE RIGHT WIRE OUTPUT "D", CODING BLACK
- APPLICATION SPECIFICATION : AS-64318-002
- THE ASSEMBLED FEMALE MODULE IS ASSEMBLED WITH THE COVER P/N°0643191201
- FOR 0.6 CAVITIES USE PLUGS P/N°:0643251010
- FOR 2.8 CAVITIES USE CAP SEALS P/N°: 0643251091
- PART WEIGHT: 31.000 g



WIRE SEAL P/N UPD.
EC NO: DRWIN:PBOSQUAIN 2010/06/15
CHKD:OPLESSIS 2011/11/09
APPR: /
REV: /

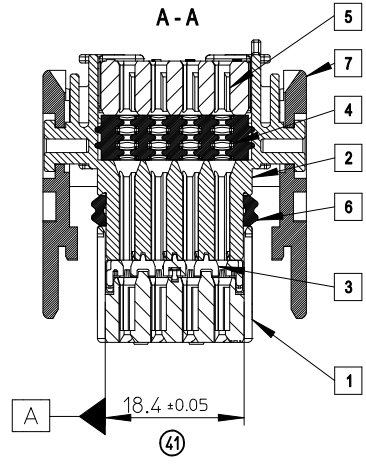
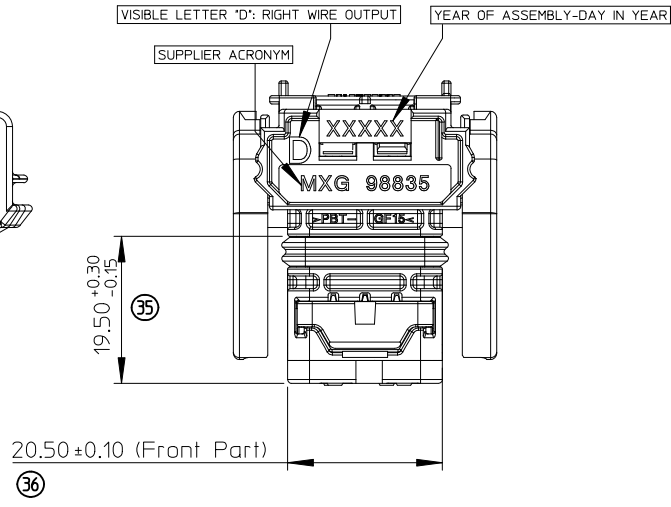
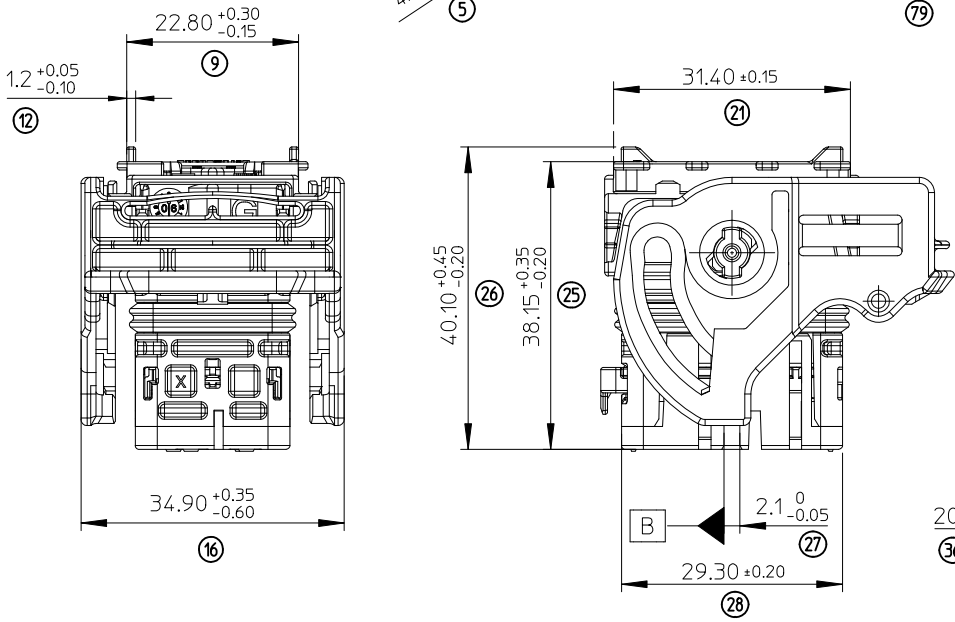
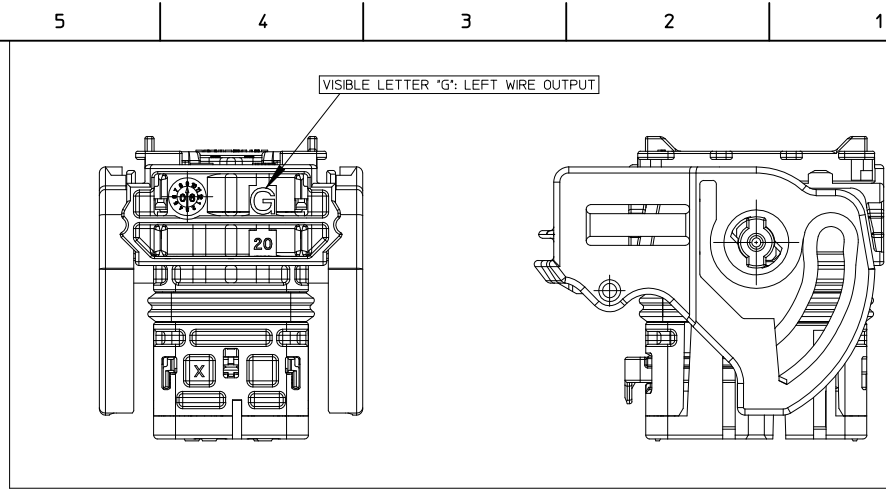
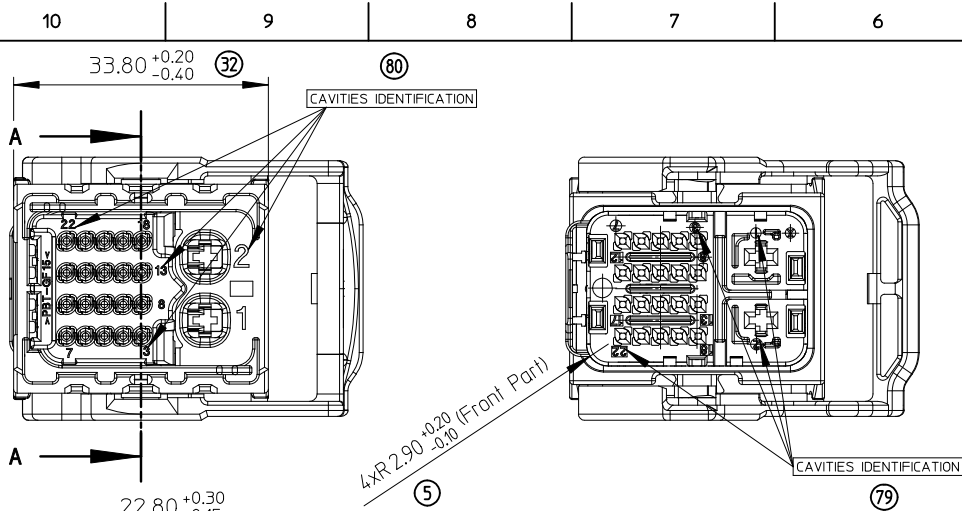
QUALITY SYMBOLS
= 0
= 0

GENERAL TOLERANCES (UNLESS SPECIFIED)	mm	INCH
	4 PLACES ± ---	± ---
3 PLACES ± ---	± ---	
2 PLACES ± 0.05	± ---	
1 PLACE ± 0.1	± ---	
ANGULAR ± 2 °		

DRAFT WHERE APPLICABLE
MUST REMAIN
WITHIN DIMENSIONS

DIMENSION STYLE MM ONLY	
DRAWN BY	DATE
G. DESBRUERES	2008/10/02
CHECKED BY	DATE
O. PLESSIS	2008/10/02
APPROVED BY	DATE
C. BOUCHAN	2008/10/03
MATERIAL NO.	
SEE CHARTS	

SCALE	DESIGN UNITS	FIRST ANGLE PROJECTION
1:1	METRIC	☉ ▷
TITLE CMC FEMALE MODULE 22W GENERIC SALES DRAWING		
MOLEX MOLEX INCORPORATED		
DOCUMENT NO. SD-64326-001	SHEET NO. 1 OF 3	



POS.	QTY	PN*	DESIGNATION	MATERIAL	COLOR
7	1	0989930241	LEVER SIZE T2	>PBT-GF30<	BLACK
6	1	0986560001	PERIMETER SEAL	SILICONE	BLUE
5	1	0988350007	REAR SEAL COVER 22 way	>PBT-GF15 FR(17)< CLASS UL-V0	GREY
4	1	0988350006	BACK SEAL	SILICONE	GREEN
3	1	0988350005	T.P.A	>PBT-GF15 FR(17)< CLASS UL-V0	YELLOW
2	1	0988350004	HOUSING TOP PART	>PBT-GF15 FR(17)< CLASS UL-V0	BROWN
1	1	0988350001	HOUSING BOTTOM PART	>PBT-GF15 FR(17)< CLASS UL-V0	BLACK
		0988350002			BROWN
		0988350003			BLUE

WIRE SEAL P/N UPD.
 EC NO: DRWNPBOSUAIN 2010/06/15
 CHKD:OPLESSIS 2011/11/09
 APPR:

DESCRIPTION
 QUALITY SYMBOLS
 ▽ +0
 ▽ -0

GENERAL TOLERANCES (UNLESS SPECIFIED)

	mm	INCH
4 PLACES	± ---	± ---
3 PLACES	± ---	± ---
2 PLACES	± 0.05	± ---
1 PLACE	± 0.1	± ---

ANGULAR ± 2 °

DRAFT WHERE APPLICABLE
 MUST REMAIN WITHIN DIMENSIONS

DIMENSION STYLE
MM ONLY

DRAWN BY DATE
 G.DESBRUERES 2008/10/02

CHECKED BY DATE
 O.PLESSIS 2008/10/02

APPROVED BY DATE
 C.BOUCHAN 2008/10/03

MATERIAL NO.
SEE SHEET 1

SCALE
1.5:1

DESIGN UNITS
METRIC

FIRST ANGLE PROJECTION

TITLE
**CMC FEMALE MODULE 22W
 GENERIC SALES DRAWING**

MOLEX INCORPORATED

DOCUMENT NO.
SD-64326-001

SHEET NO.
2 OF 3

THIS DRAWING CONTAINS INFORMATION THAT IS PROPRIETARY TO MOLEX INCORPORATED AND SHOULD NOT BE USED WITHOUT WRITTEN PERMISSION

10 9 8 7 6 5 4 3 2 1

FEMALE MODULE OVERALLS - T.P.A IN POSITION TO FIT TERMINALS

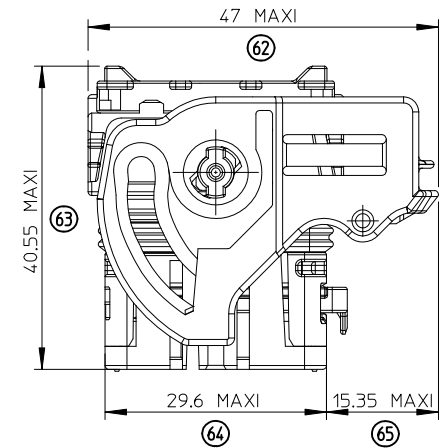
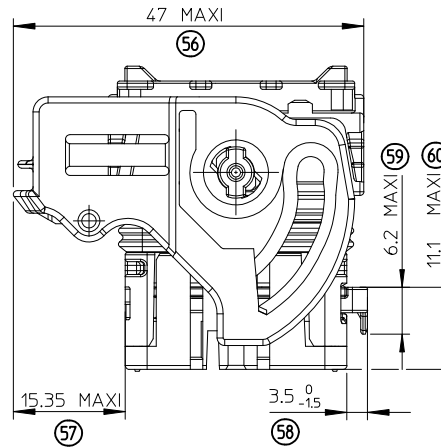
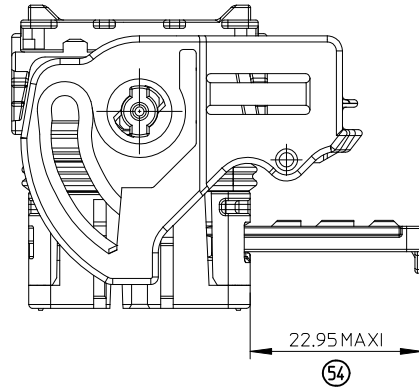
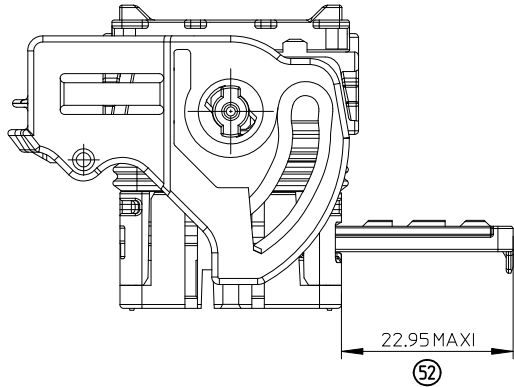
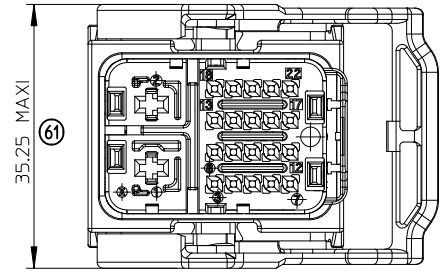
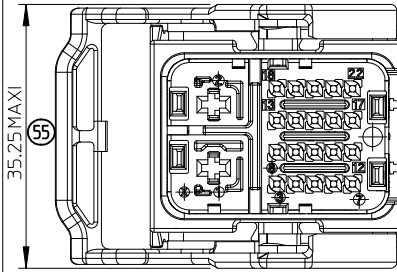
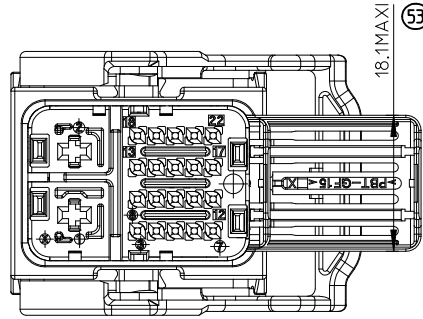
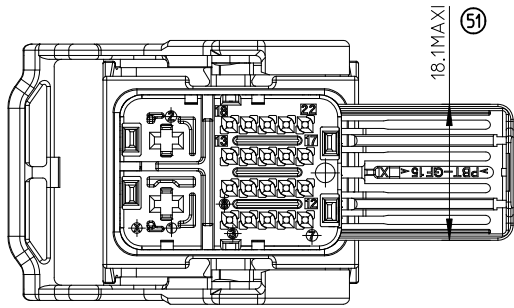
FEMALE MODULE OVERALLS - T.P.A IN DELIVERY POSITION

FEMALE MODULE - RIGHT WIRE OUTPUT

FEMALE MODULE - LEFT WIRE OUTPUT

FEMALE MODULE - RIGHT WIRE OUTPUT

FEMALE MODULE - LEFT WIRE OUTPUT



WIRE SEAL P/N UPD.
 EC NO: DRWN:PBOSQUAIN 2010/06/15
 CHKD:PLESSIS 2011/11/09
 APPR:
 REV A DESCRIPTION



GENERAL TOLERANCES (UNLESS SPECIFIED)

	mm	INCH
4 PLACES	± ---	± ---
3 PLACES	± ---	± ---
2 PLACES	± 0.05	± ---
1 PLACE	± 0.1	± ---
ANGULAR ± 2 °		

DRAFT WHERE APPLICABLE MUST REMAIN WITHIN DIMENSIONS

DIMENSION STYLE MM ONLY

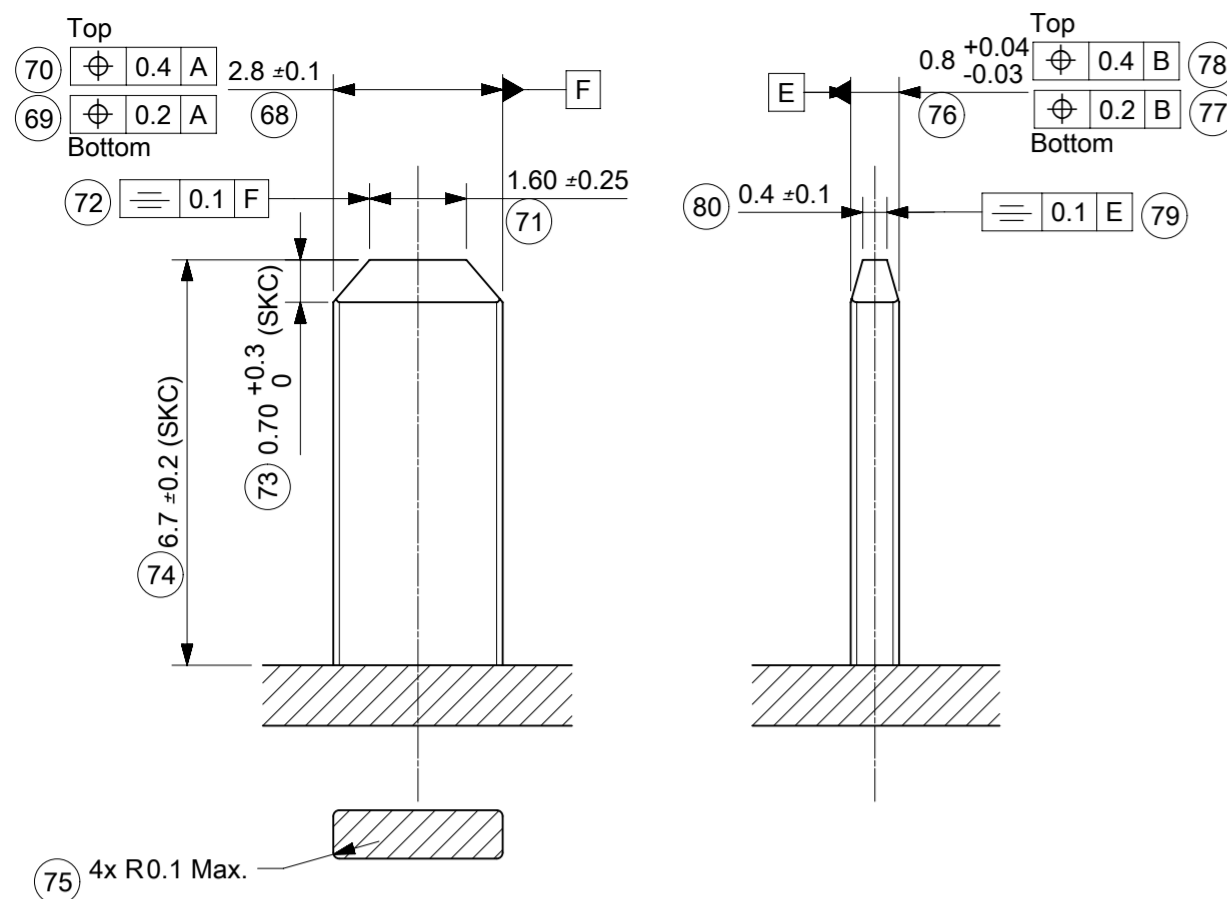
DRAWN BY	DATE
G. DESBRUERES	2008/10/02
CHECKED BY	DATE
O. PLESSIS	2008/10/02
APPROVED BY	DATE
C. BOUCHAN	2008/10/03
MATERIAL NO.	
SEE SHEET 1	
SIZE A3	

THIS DRAWING CONTAINS INFORMATION THAT IS PROPRIETARY TO MOLEX INCORPORATED AND SHOULD NOT BE USED WITHOUT WRITTEN PERMISSION

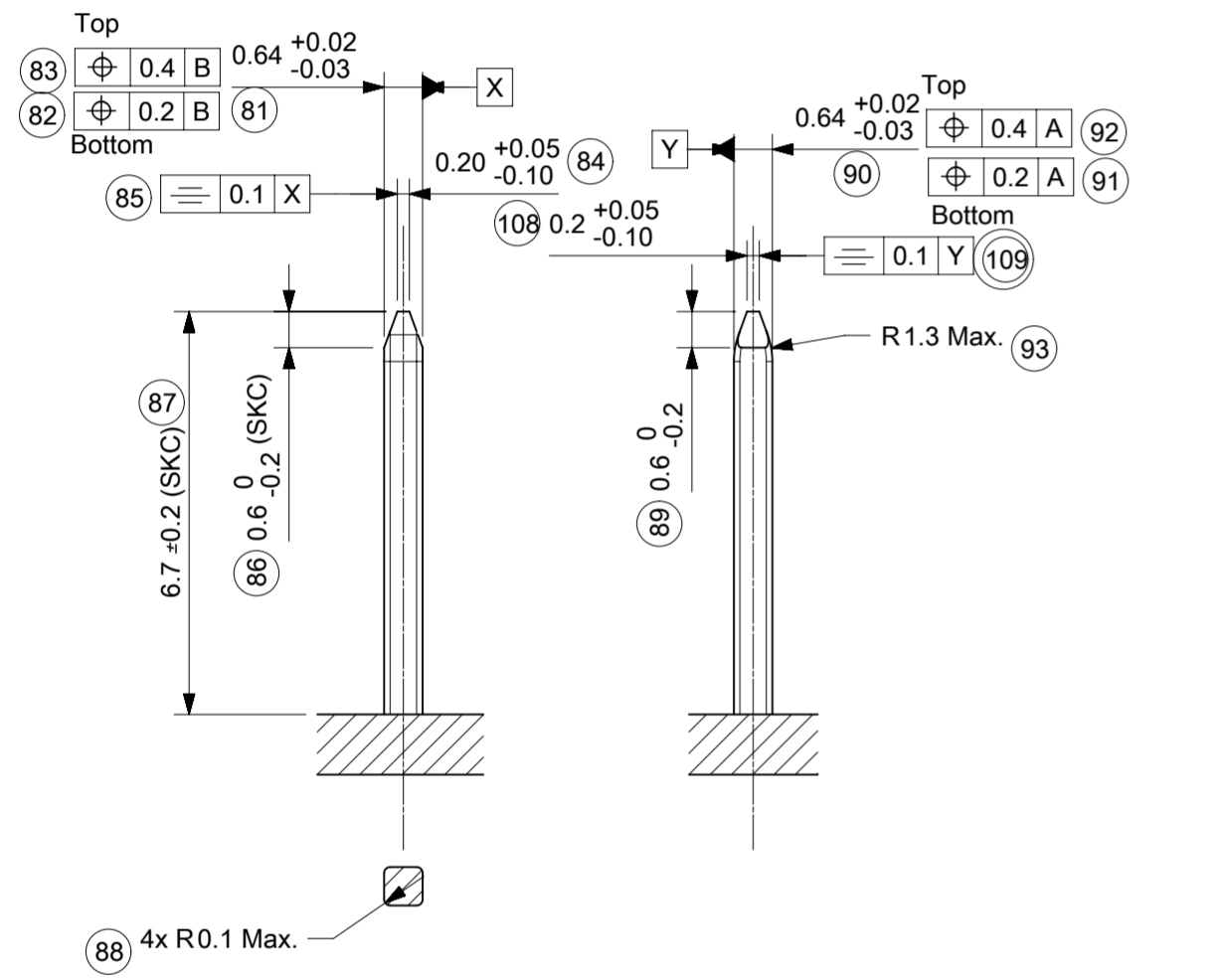
SCALE 1:1	DESIGN UNITS METRIC	FIRST ANGLE PROJECTION
TITLE CMC FEMALE MODULE 22W GENERIC SALES DRAWING		
MOLEX MOLEX INCORPORATED		
DOCUMENT NO. SD-64326-001	SHEET NO. 3 OF 3	

9 8 7 6 5 4 3 2 1

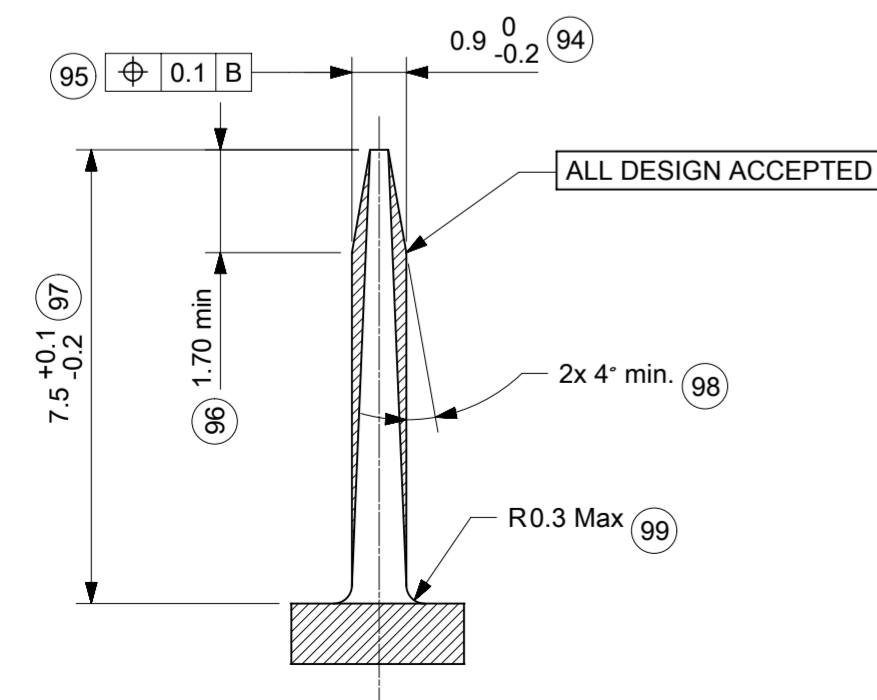
TAB 2.8 DEFINITION



PIN 0.635 DEFINITION

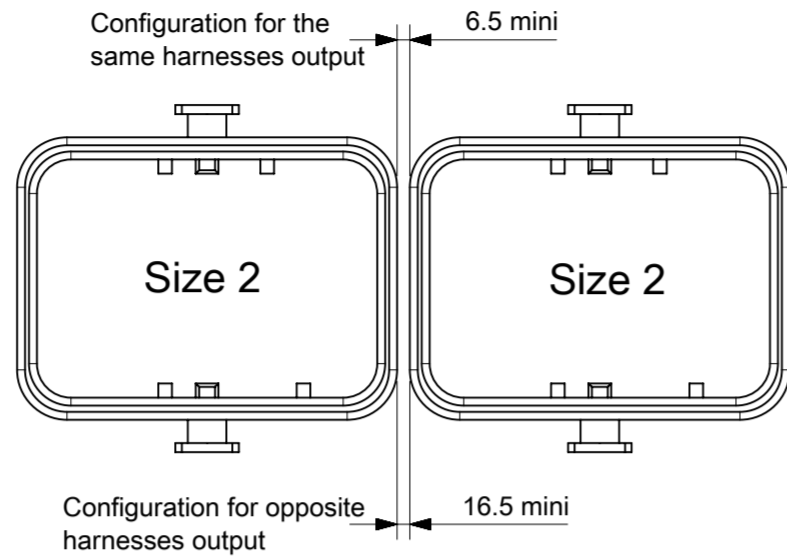


WALL FOR PROTECTION DEFINITION

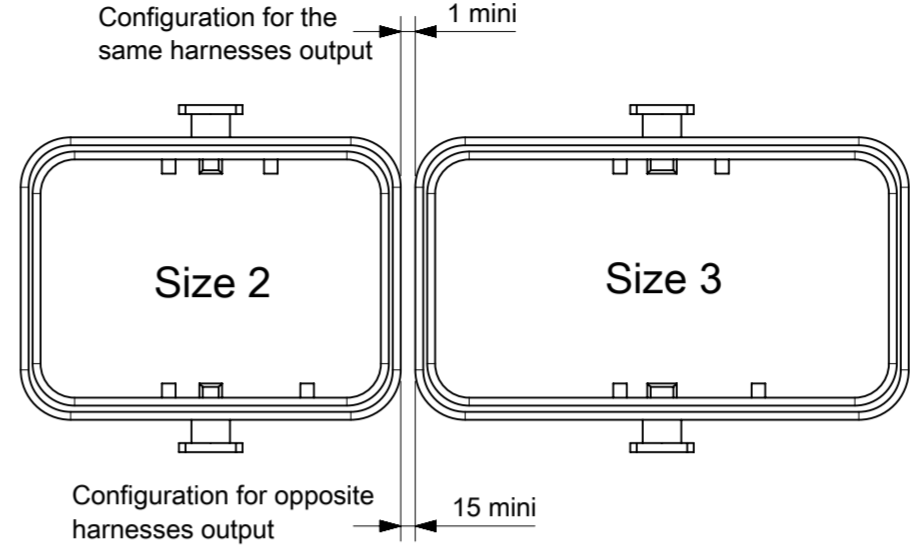


HEADERS LOCATION

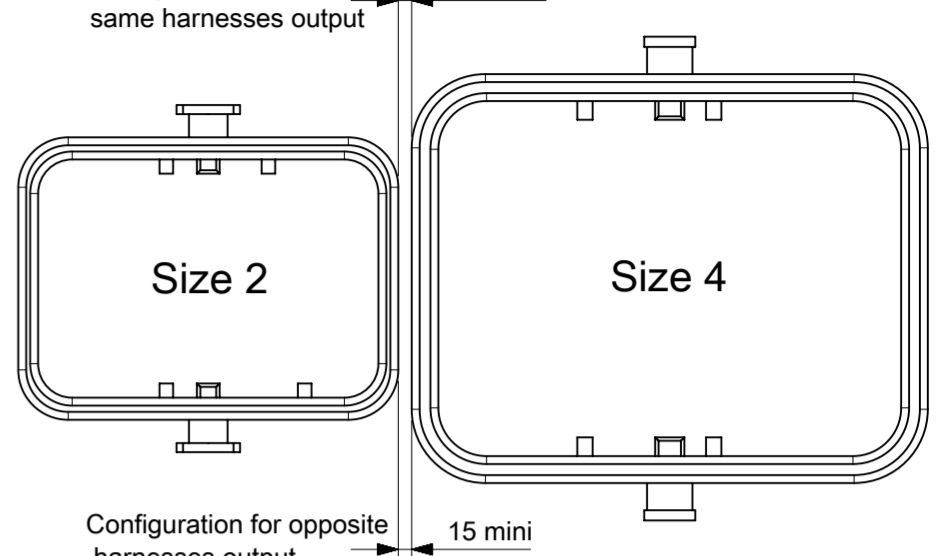
CONFIGURATION FOR 2 INTERFACES SIZE 2



CONFIGURATION FOR INTERFACES SIZE 2 & 3

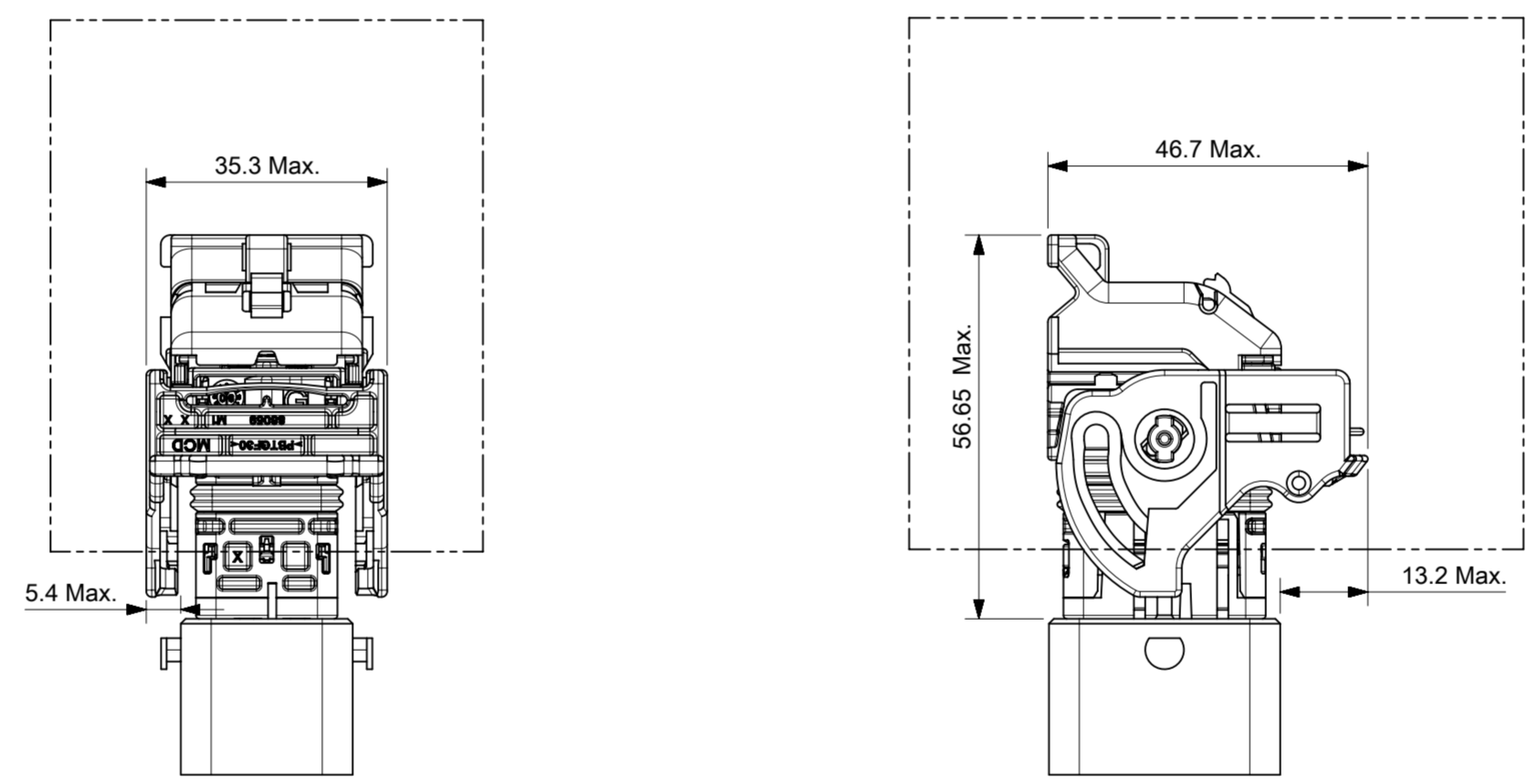


CONFIGURATION FOR INTERFACES SIZE 2 & 4

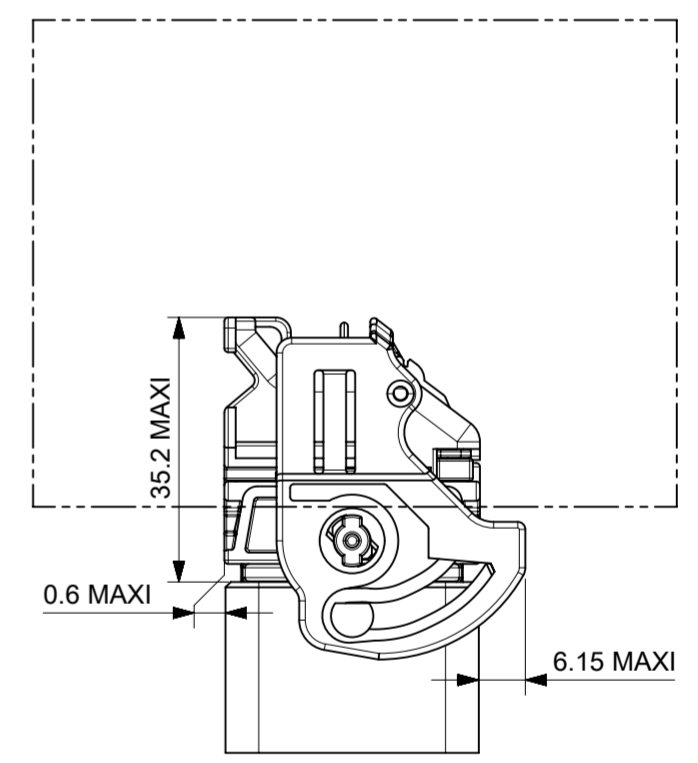


FEMALE HOUSING OVERALLS - MATING & UNMATING WITH HEADER

OVERALLS FOR MATING & UNMATING



LOCKED FEMALE HOUSING OVERALL DIMENSIONS



- (SKC) SPECIAL KEY CHARACTERISTICS
- ☒ DENOTES S.P.C DIMENSIONS
 - ⊗ DENOTES CRITICAL DIMENSIONS
 - DENOTES FUNCTIONAL DIMENSIONS
- QUANTITY PER INDIVIDUAL SHEET
- ☒ 0
 - ⊗ 0
 - 0
 - (SKC) 4

THIS DRAWING CONTAINS INFORMATION THAT IS PROPRIETARY TO MOLEX ELECTRONIC TECHNOLOGIES, LLC AND SHOULD NOT BE USED WITHOUT WRITTEN PERMISSION									
SYMBOLS		DIMENSION UNITS		SCALE		CURRENT REV DESC: DIM#102: B WAS A (TYPO CORRECTION) - NX RE-MASTERING			
▽ = 0		mm		2:1					
▽ = 0		GENERAL TOLERANCES (UNLESS SPECIFIED)							
▽ = 0		ANGULAR TOL ± 2.0°							
▽ = 0		4 PLACES		± 0.05		EC NO: 617490			
▽ = 0		3 PLACES		± 0.05		DRWN: SSUVARNA		2017/06/21	
▽ = 0		2 PLACES		± 0.05		CHK'D: VJOUAS		2019/05/21	
▽ = 0		1 PLACE		± 0.1		APPR: OPLESSIS		2019/05/21	
▽ = 0		0 PLACES		± 0.1		INITIAL REVISION:			
▽ = 0		DRAFT WHERE APPLICABLE MUST REMAIN WITHIN DIMENSIONS		FIRST ANGLE PROJECTION		DRAWING		SERIES	
▽ = 0				A2-SIZE		64326		MATERIAL NUMBER	
▽ = 0				N/A		CUSTOMER		SHEET NUMBER	
▽ = 0				GENERAL MARKET		2 OF 2			

molex

INTERFACE FOR HYBRIDE MODULE 22CKT CMC

PRODUCT CUSTOMER DRAWING

DOCUMENT NUMBER	DOC TYPE	DOC PART	REVISION
SD-64326-002	PSD	001	A