

**PLEASE CHECK WWW.MOLEX.COM FOR LATEST PART INFORMATION**

**Part Number:** [0622018661](#)  
**Status:** **Active**  
**Overview:** [Application Tooling](#)  
**Description:** Daughter Card Signal Module Assembly Press-In Tool for 6-Pair by 10-Column Assemblies

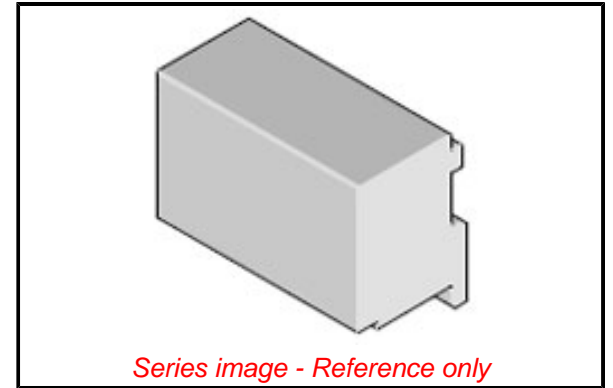
**Documents:**  
[RoHS Certificate of Compliance \(PDF\)](#)

**General**

Product Family	Application Tooling
Series	<a href="#">207123</a>
Comments	See Tooling Specification (PDF) Above
Function	Insertion
Geographic Area	Global
Level of Automation	Manual
More Detailed Tech Information	<a href="mailto:applicationtooling@molex.com">applicationtooling@molex.com</a>
Overview	<a href="#">Application Tooling</a>
Product Name	PremiumGrade
Tool Type	Press-Fit Insertion Tool
UPC	883906116187
Warranty Disclaimer	CAUTION: Molex tooling crimp specifications are valid only when used with Molex terminals and tooling manufactured by Molex and sold by Molex or authorized distributors ("Molex Tooling"). When using tooling other than Molex Tooling with Molex specific connector systems listed in our ATS documents, the Molex tooling qualification does not apply and the responsibility for full qualification of the connector system is that of the customer. Molex accepts no liability for connector performance or tooling support where tooling other than Molex Tooling is used or where Molex Tooling is modified.

**Material Info**

**Reference - Drawing Numbers**  
Application Tooling Documents [ATS-622018661-001, TM-622018799-001](#)



**EU ELV**

**Not Relevant**

**EU RoHS**

**Not Relevant**

**REACH SVHC**

Not Relevant

**Halogen-Free**

**Status**

**Not Relevant**

For more information, please visit [Contact US](#)

China ROHS

Not Relevant

ELV

Not Relevant

RoHS Phthalates

Not Relevant

**Search Parts in this Series**

[207123 Series](#)

**Application Tooling** | **FAQ**  
**Description** | **Product #**

Impact 85 Ohm Plus 6 Pair Right-Angle Daughtercard, Unguided, 10 Columns, 180 Circuits, Plated Through Hole Dimension 0.39mm, Lead Free	<a href="#">1705401020</a>
Impact 85 Ohm Plus 6 Pair Right-Angle Daughtercard, Left Guided, 10 Columns, 180 Circuits, Plated Through Hole Dimension 0.39mm, Lead Free	<a href="#">1705403020</a>
Impact 85 Ohm Plus 6 Pair Right-Angle Daughtercard, Right Guided, 10 Columns, 180 Circuits, Plated	<a href="#">1705405020</a>

Through Hole  
Dimension 0.39mm,  
Lead Free  
Impulse 90 Ohm 4- 2111309004  
Pair 270° Orthogonal  
Header, 2.00mm  
Pitch, Right Guided,  
8 Columns, 32  
Differential Pair  
Impact 100 Ohm 761501010  
6 Pair Right-Angle  
Daughtercard  
Receptacle,  
Unguided, 10  
Columns, 180  
Circuits, Plated  
Through Hole  
Dimension 0.46mm,  
Lead-Free  
Impact 100 Ohm 761501020  
6 Pair Right-Angle  
Daughtercard  
Receptacle,  
Unguided, 10  
Columns, 180  
Circuits, Plated  
Through Hole  
Dimension 0.39mm,  
Lead-Free  
Impact 100 Ohm 761503010  
6 Pair Right-Angle  
Daughtercard  
Receptacle, Left  
Guided, 10 Columns,  
180 Circuits, Plated  
Through Hole  
Dimension 0.46mm,  
Lead-Free  
Impact 100 Ohm 761503020  
6 Pair Right-Angle  
Daughtercard  
Receptacle, Left  
Guided, 10 Columns,  
180 Circuits, Plated  
Through Hole  
Dimension 0.39mm,  
Lead-Free  
Impact 100 Ohm 761503120  
6 Pair Right-Angle  
Daughtercard  
Receptacle, Left  
Guided, 10 Columns,  
180 Circuits, Plated  
Through Hole  
Dimension 0.39mm,  
Polarizing Key  
Position A, Lead-  
Free  
Impact 100 Ohm 761505010  
6 Pair Right-Angle  
Daughtercard  
Receptacle, Right  
Guided, 10 Columns,  
180 Circuits, Plated  
Through Hole

Dimension 0.46mm,  
Lead-Free

Impact 100 Ohm 761505020

6 Pair Right-Angle  
Daughtercard  
Receptacle, Right  
Guided, 10 Columns,  
180 Circuits, Plated  
Through Hole

Dimension 0.39mm,  
Lead-Free

Impact 100 Ohm 762901020

6 Pair Right-  
Angle Orthogonal  
Daughtercard,  
Unguided, 10  
Columns, 180  
Circuits, Plated  
Through Hole

Dimension 0.39mm,  
Lead-Free

Impact 100 Ohm 762903020

6 Pair Right-  
Angle Orthogonal  
Daughtercard, Left  
Guided, 10 Columns,  
180 Circuits, Plated  
Through Hole

Dimension 0.39mm,  
Lead-Free

Impact 100 Ohm 762905020

6 Pair Right-  
Angle Orthogonal  
Daughtercard, Right  
Guided, 10 Columns,  
180 Circuits, Plated  
Through Hole

Dimension 0.39mm,  
Lead-Free

Impact 100 Ohm 765601104

6 Pair RAM Right-  
Angle Header,  
Unguided, Open  
Endwall, 10  
Columns, 180

Circuits, Pin Length  
4.90mm, Plated

Through Hole

Dimension 0.46mm,  
Lead Free

Impact 100 Ohm 765601107

6 Pair RAM Right-  
Angle Header,  
Unguided, Open  
Endwall, 10

Columns, 180

Circuits, Pin Length  
4.90mm, Plated

Through Hole

Dimension 0.39mm,  
Lead-Free

Impact 100 Ohm 765601108

6 Pair RAM Right-  
Angle Header,  
Unguided, Open

Endwall, 10  
Columns, 180  
Circuits, Pin Length  
5.50mm, Plated  
Through Hole  
Dimension 0.39mm,  
Lead-Free

Impact 100 Ohm 765601118

6 Pair RAM Right-  
Angle Header,  
Unguided, Left  
Endwall, 10

Columns, 180  
Circuits, Pin Length  
5.50mm, Plated  
Through Hole  
Dimension 0.39mm,  
Lead Free

Impact 100 Ohm 765601127

6 Pair RAM Right-  
Angle Header,  
Unguided, Dual  
Endwall, 10

Columns, 180  
Circuits, Pin Length  
4.90mm, Plated  
Through Hole  
Dimension 0.39mm,  
Lead-Free

Impact 100 Ohm 765601138

6 Pair RAM Right-  
Angle Header,  
Unguided, Right  
Endwall, 10

Columns, 180  
Circuits, Pin Length  
5.50mm, Plated  
Through Hole  
Dimension 0.39mm,  
Lead Free

Impact 100 Ohm 765603107

6 Pair RAM Right-  
Angle Header,  
Left Guided,  
Open Endwall,

10 Columns, 180  
Circuits, Pin Length  
4.90mm, Plated  
Through Hole  
Dimension 0.39mm,  
Lead-Free

Impact 100 Ohm 765603108

6 Pair RAM Right-  
Angle Header,  
Left Guided,  
Open Endwall,

10 Columns, 180  
Circuits, Pin Length  
5.50mm, Plated  
Through Hole  
Dimension 0.39mm,  
Lead-Free

Impact 100 Ohm 765603118

6 Pair RAM Right-  
Angle Header,

Left Guided,  
Open Endwall,  
10 Columns, 180  
Circuits, Pin Length  
5.50mm, Plated  
Through Hole  
Dimension 0.39mm,  
Polarizing Key  
Position A, Lead-  
Free

Impact 100 Ohm 765605108

6 Pair RAM Right-  
Angle Header,  
Right Guided,  
Open Endwall,  
10 Columns, 180  
Circuits, Pin Length  
5.50mm, Plated  
Through Hole  
Dimension 0.39mm,  
Lead-Free

Impact 100 Ohm 765605118

6 Pair RAM Right-  
Angle Header,  
Right Guided,  
Open Endwall,  
10 Columns, 180  
Circuits, Pin Length  
5.50mm, Plated  
Through Hole  
Dimension 0.39mm,  
Polarizing Key  
Position A, Lead-  
Free

Impact 100 Ohm 765607107

6 Pair RAM Right-  
Angle Header,  
Left Guided,  
Right Endwall,  
10 Columns, 180  
Circuits, Pin Length  
4.90mm, Plated  
Through Hole  
Dimension 0.39mm,  
Lead-Free

Impact 100 Ohm 765607108

6 Pair RAM Right-  
Angle Header,  
Left Guided,  
Right Endwall,  
10 Columns, 180  
Circuits, Pin Length  
5.50mm, Plated  
Through Hole  
Dimension 0.39mm,  
Lead-Free

Impact 100 Ohm 765609105

6 Pair RAM Right-  
Angle Header, Right  
Guided, Left Endwall,  
10 Columns, 180  
Circuits, Pin Length  
5.50mm, Plated  
Through Hole

Dimension 0.46mm,  
Lead-Free  
Impact 100 Ohm 765609107  
6 Pair RAM Right-  
Angle Header, Right  
Guided, Left Endwall,  
10 Columns, 180  
Circuits, Pin Length  
4.90mm, Plated  
Through Hole  
Dimension 0.39mm,  
Lead-Free  
Impact 100 Ohm 765609108  
6 Pair RAM Right-  
Angle Header, Right  
Guided, Left Endwall,  
10 Columns, 180  
Circuits, Pin Length  
5.50mm, Plated  
Through Hole  
Dimension 0.39mm,  
Lead-Free

This document was generated on 07/28/2021

**PLEASE CHECK [WWW.MOLEX.COM](http://WWW.MOLEX.COM) FOR LATEST PART INFORMATION**