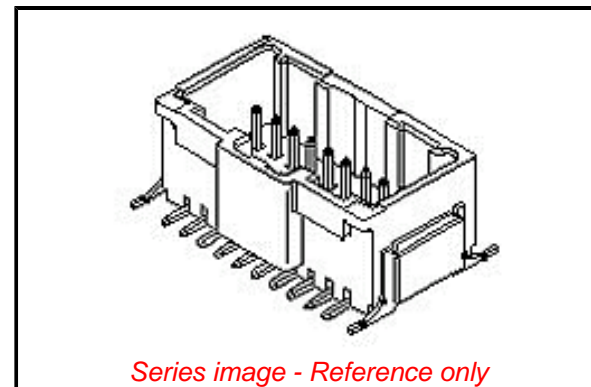


PLEASE CHECK WWW.MOLEX.COM FOR LATEST PART INFORMATION

Part Number: [0557633070](#)
Status: **Active**
Overview: [MicroClasp Wire-to-Board System](#)
Description: 2.00mm Pitch MicroClasp Wire-to-Board Header, Surface Mount, Dual Row, Vertical, 30 Circuits

Documents:

3D Model	Application Specification 561340000-AS-000 (PDF)
Drawing (PDF)	Packaging Specification 557639200-SPK-000 (PDF)
3D Model (PDF)	RoHS Certificate of Compliance (PDF)
Product Specification PS-51242-002-001 (PDF)	



General

Product Family	PCB Headers
Series	55763
Application	Signal, Wire-to-Board
Overview	MicroClasp Wire-to-Board System
Product Name	MicroClasp
Taxonomy	PCB Headers and Receptacles
UPC	822348264780

Physical

Breakaway	No
Circuits (Loaded)	30
Circuits (maximum)	30
Durability (mating cycles max)	30
First Mate / Last Break	No
Glow-Wire Capable	No
Guide to Mating Part	No
Keying to Mating Part	None
Lock to Mating Part	Yes
Material - Plating Mating	Tin
Material - Plating Termination	Tin
Net Weight	3514.200/mg
Number of Rows	2
Orientation	Vertical
PC Tail Length	4.50mm
PCB Locator	No
PCB Retention	Yes
Packaging Type	Embossed Tape on Reel
Pitch - Mating Interface	2.00mm
Shrouded	Fully
Stackable	No
Temperature Range - Operating	-25° to +85°C
Termination Interface: Style	Surface Mount

Electrical

Current - Maximum per Contact	3.0A
Voltage - Maximum	250V

Material Info

Reference - Drawing Numbers

Application Specification	561340000-AS-000
Packaging Specification	557639200-SPK-000
Product Specification	PS-51242-002-001
Sales Drawing	SD-55763-006-001, SD-55763-006-002, SD-55763-007-001, SD-55763-007-002

EU ELV

Not Relevant

EU RoHS

Compliant

REACH SVHC

Not Contained Per -
D(2022)4187-DC (10
June 2022)

Halogen-Free

Status

Not Low-Halogen

For more information, please visit [Contact US](#)

China ROHS

ELV

RoHS Phthalates

China RoHS

Green Image

Not Relevant

Not Contained

Search Parts in this Series

[55763 Series](#)

Mates With

[51242](#) MicroClasp Wire-to-Board Receptacle Housing

This document was generated on 09/21/2022

PLEASE CHECK WWW.MOLEX.COM FOR LATEST PART INFORMATION