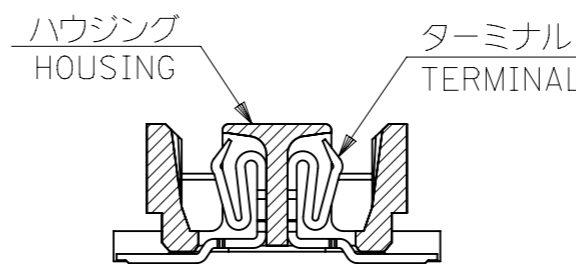
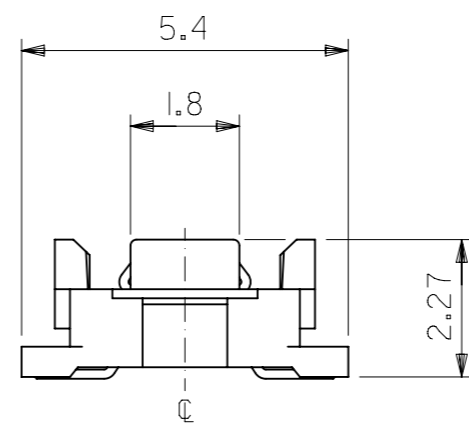


参考基板レイアウト (マウント面)
P.C.BOARD PATTERN
DIMENSION. (REF.)
(MOUNTING AREA)



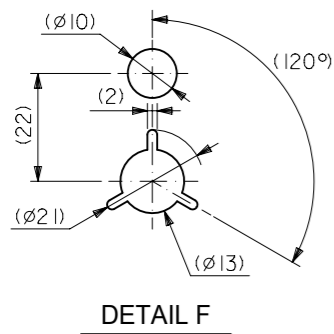
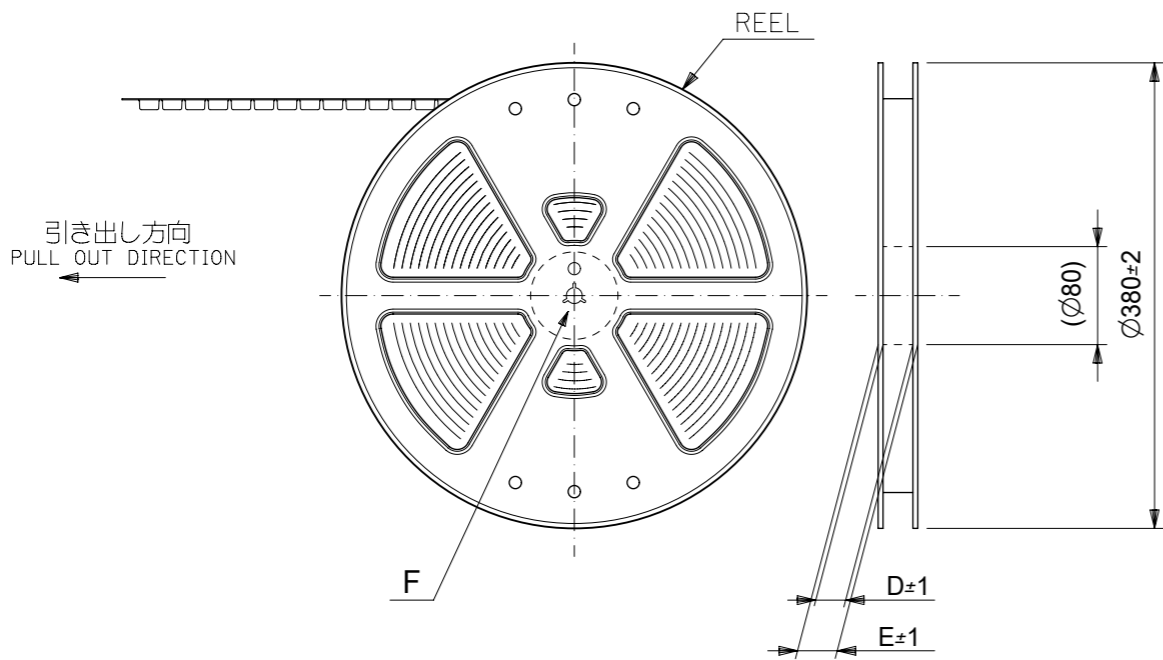
SECT.Z-Z

注記 NOTES:

1. 使用材料 MATERIAL
ハウジング: LCPガラス入り (黒) ,UL94V-0
HOUSING:LCP(G.F.)(COLOR :BLACK),
UL94V-0
ターミナル: リン青銅 (t=0.15)
TERMINAL:PHOSPHOR BRONZE(t=0.15)
2. メッキ仕様 PLATING
全体仕上げ: 金メッキ 0.1 MICROMETER MIN.
ALL OVER : GOLD 0.1 MICROMETER MIN.
下地メッキ: ニッケルメッキ 1.5 MICROMETER MIN.
UNDER PLATING : NICKEL 1.5 MICROMETER MIN.
3. 基準面 [X] からのソルダーテールの半田付け面のズレ量は、上方向 0 下方向 0.15MAX.とする。
MISALIGNMENT OF SOLDER TAIL FROM [X]
: UPPER DIRECTION 0 , LOWER DIRECTION 0.15 MAX.
△ (全極数/2) = 偶数の場合に適用。
APPLY FOR (CIRCUIT/2)=EVEN.
- 5 嵌合相手: 53748 シリーズ, 53916 シリーズ, 501920 シリーズ
MATE WITH : 53748 SERIES, 53916 SERIES, 501920 SERIES.
- 6 テール平坦度は、0.1MAX.
TAIL COPLANARITY TO BE 0.1MAX.

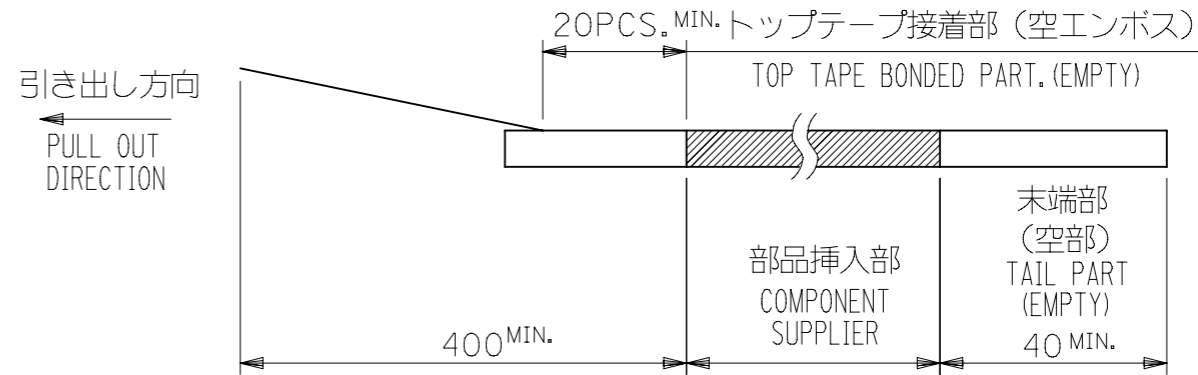
20.2	19.5	23.8	54167-0801	80
17.7	17.0	21.3	-0701	70
15.2	14.5	18.8	-0601	60
12.7	12.0	16.3	-0501	50
10.2	9.5	13.8	-0401	40
7.7	7.0	11.3	-0301	30
5.2	4.5	8.8	54167-0201	20
C	B	A	MATERIAL NO.	極数 CIRCUIT

54167***1		MODEL NO.	
GENERAL TOLERANCES (UNLESS SPECIFIED)		THIS DRAWING CONTAINS INFORMATION THAT IS PROPRIETARY TO MOLEX ELECTRONIC TECHNOLOGIES, LLC AND SHOULD NOT BE USED WITHOUT WRITTEN PERMISSION	
10 UNDER	± 0.2	DIMENSION UNITS	SCALE
10 OVER 30 UNDER	± 0.25	mm	8:1
30 OVER	± 0.3	CURRENT REV DESC: REVISED	
ANGULAR	± 3°	GENERAL TOLERANCES (UNLESS SPECIFIED)	
DRAFT WHERE APPLICABLE MUST REMAIN WITHIN DIMENSIONS		4 PLACES ± 0.2	EC NO: 614684
		3 PLACES ± 0.25	DRWN: ABABU01 2019/03/28
		2 PLACES ± 0.3	CHK'D: MSASAO 2019/03/29
		1 PLACE ±	APPR: MSASAO 2019/03/29
		0 PLACES ±	INITIAL REVISION:
		ANGULAR TOL ± 3.0°	DRWN:
		DRAFT WHERE APPLICABLE MUST REMAIN WITHIN DIMENSIONS	APPR:
		THIRD ANGLE PROJECTION	DRAWING
		A3-SIZE	SERIES
			MATERIAL NUMBER
			CUSTOMER
			SHEET NUMBER
			GENERAL MARKET
			1 OF 1

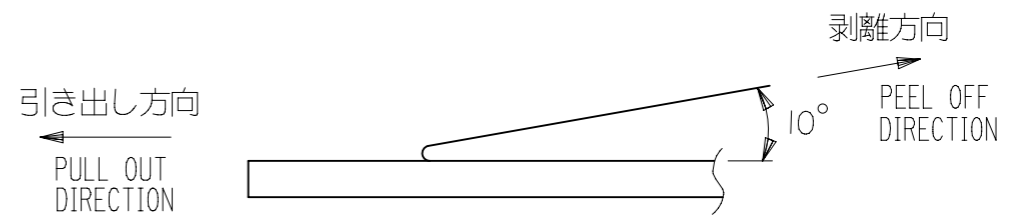


NOTES

- 製品詳細寸法については図面 SD-54167-001 を参照下さい。
RE DETAILED DIMENSION, SEE SD-54167-001
- 梱包数量：3000個/リール
NUMBER OF CONNECTORS : 3000PCS/REEL
- リードテープ長さ LEAD TAPE LENGTH



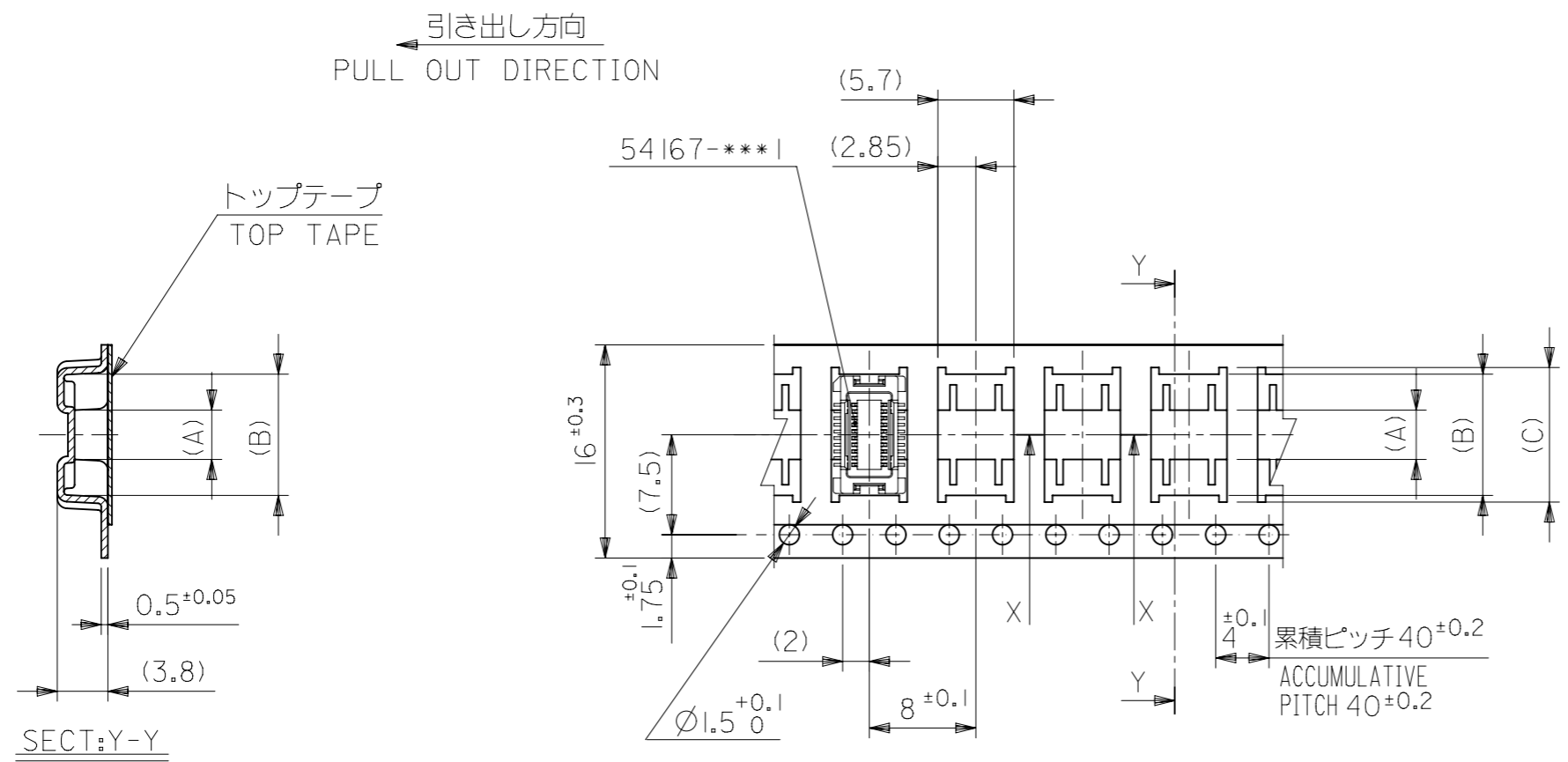
- トップテープの剥離強度：0.1N~1.3 {10gf~130gf} (剥離方向は下図参照)
尚、本規格値は出荷時に適用。(但し、輸送時に剥離が発生しないこと。)
PEELING OFF FORCE OF TOP TAPE : 0.1N~1.3 {10gf~130gf}
(PEELING DIRECTION AS SHOWN IN FOLLOWING FIG.)
THIS REQUIREMENT SHOULD BE APPLIED AT SHIPMENT.
PEEL OFF SHOULD NOT BE ALLOWED , DURING TRANSPORTATION.



- 材料 (MATERIAL)
キャリアテープ (CARRIER TAPE) : ポリプロピレン (POLYPROPYLENE)
トップテープ (TOPTAPE) : PET , PE , PEF
リール (REEL) : ポリスチレン (PS) <リサイクル材を含む>
POLYSTYREN (PS) <RECYCLE MATERIAL CONTAINED>

54167***8 MODEL NO.

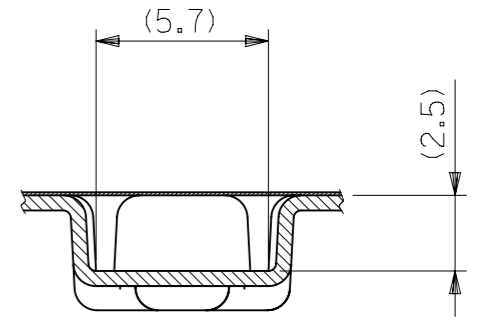
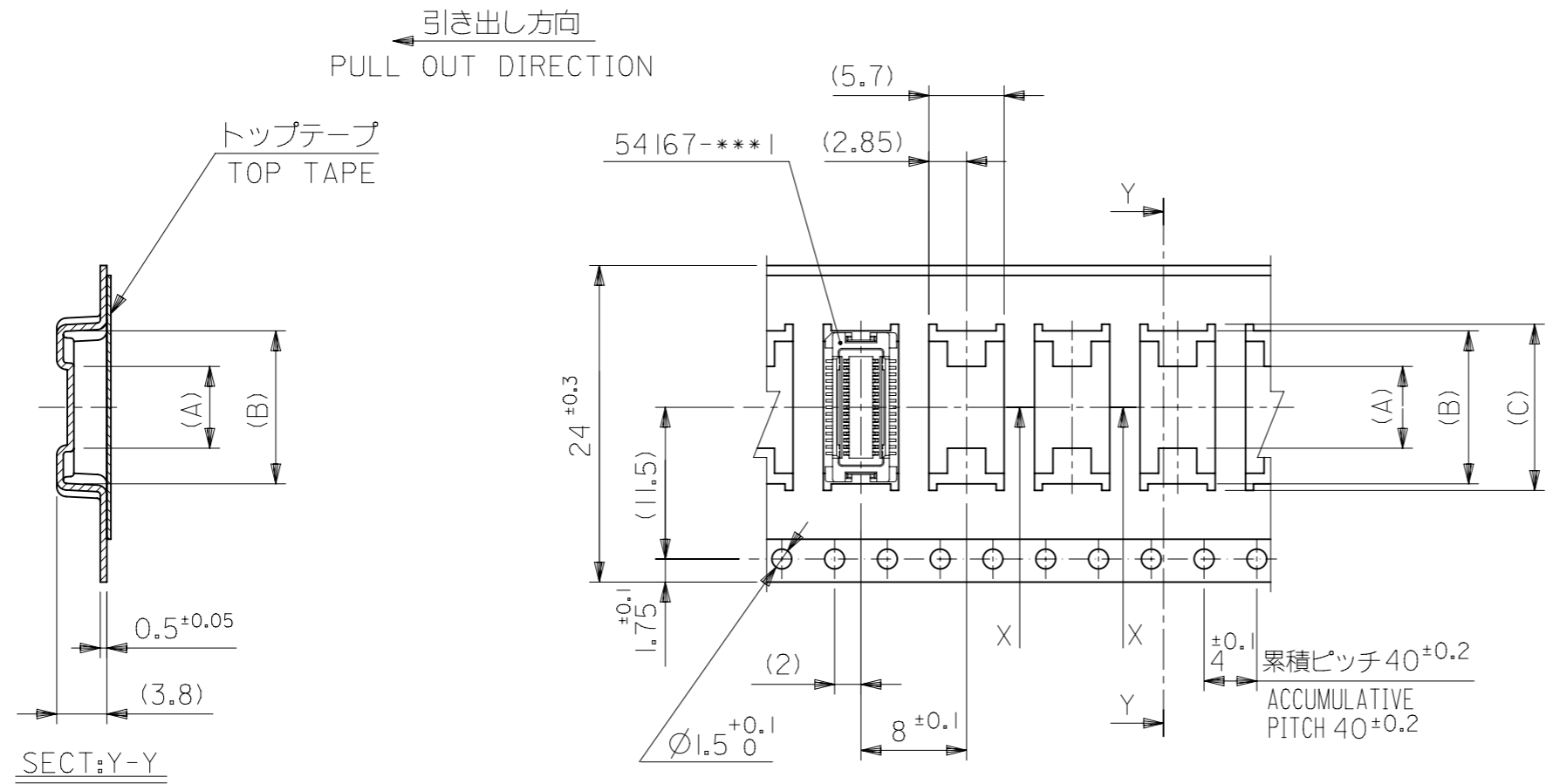
THIS DRAWING CONTAINS INFORMATION THAT IS PROPRIETARY TO MOLEX ELECTRONIC TECHNOLOGIES, LLC AND SHOULD NOT BE USED WITHOUT WRITTEN PERMISSION		CURRENT REV DESC:		molex	
DIMENSION UNITS: mm		SCALE: NTS			
GENERAL TOLERANCES (UNLESS SPECIFIED)		EC NO: 624787		0.5 B/B CONN REC HSG	
4 PLACES ±		DRWN: RPRABHUM 2019/05/24		ASSY EMBSTP PKG -LEAD FREE-	
3 PLACES ±		CHK'D: GGA 2019/11/11		PRODUCT CUSTOMER DRAWING	
2 PLACES ±		APPR: GGA 2019/11/11		DOCUMENT NUMBER	
1 PLACE ±		INITIAL REVISION:		SD-54167-002	
0 PLACES ±		DRWN: S.AIHARA 1996/11/25		DOC TYPE	
ANGULAR TOL ± 3.0°		APPR: M.FUKUSHIMA 2000/12/06		PSD	
DRAFT WHERE APPLICABLE MUST REMAIN WITHIN DIMENSIONS		THIRD ANGLE PROJECTION		DOC PART	
10 ^{UNDER} ±0.2		DRAWING		001	
10 ^{OVER} 30 ^{UNDER} ±0.25		SERIES		F1	
30 ^{OVER} ±0.3		A3-SIZE		REVISION	
		54167		1 OF 4	
		SEE CHART		GENERAL MARKET	



16mm幅キャリアテープ
16mm WIDTH CARRIER TAPE

54167***8						MODEL NO.	
16	21.4	17.4	10.1	9.1	3.7	54167-0208	20
キャリアテープ幅 CARRIER TAPE WIDTH	E	D	(C)	(B)	(A)	MATERIAL NO.	極数 CIRCUIT

THIS DRAWING CONTAINS INFORMATION THAT IS PROPRIETARY TO MOLEX ELECTRONIC TECHNOLOGIES, LLC AND SHOULD NOT BE USED WITHOUT WRITTEN PERMISSION		CURRENT REV DESC:		molex	
GENERAL TOLERANCES (UNLESS SPECIFIED)		EC NO: 624787			
10 UNDER ±		DRWN: RPRABHUM 2019/05/24		0.5 B/B CONN REC HSG ASSY EMBSTP PKG -LEAD FREE-	
10 OVER 30 UNDER ±		CHK'D: GGA 2019/11/11		PRODUCT CUSTOMER DRAWING	
30 OVER ±		APPR: GGA 2019/11/11		DOCUMENT NUMBER	
		INITIAL REVISION:		SD-54167-002	
		DRWN: S.AIHARA 1996/11/25		DOC TYPE	
		APPR: M.FUKUSHIMA 2000/12/06		PSD	
		ANGULAR TOL ± 3.0°		DOC PART	
		DRAFT WHERE APPLICABLE MUST REMAIN WITHIN DIMENSIONS		001	
		THIRD ANGLE PROJECTION		REVISION	
		DRAWING		F1	
		SERIES		SHEET NUMBER	
		A3-SIZE		2 OF 4	
		MATERIAL NUMBER		CUSTOMER	
		54167		GENERAL MARKET	
		SEE CHART			



24mm幅キャリアテープ
24mm WIDTH CARRIER TAPE

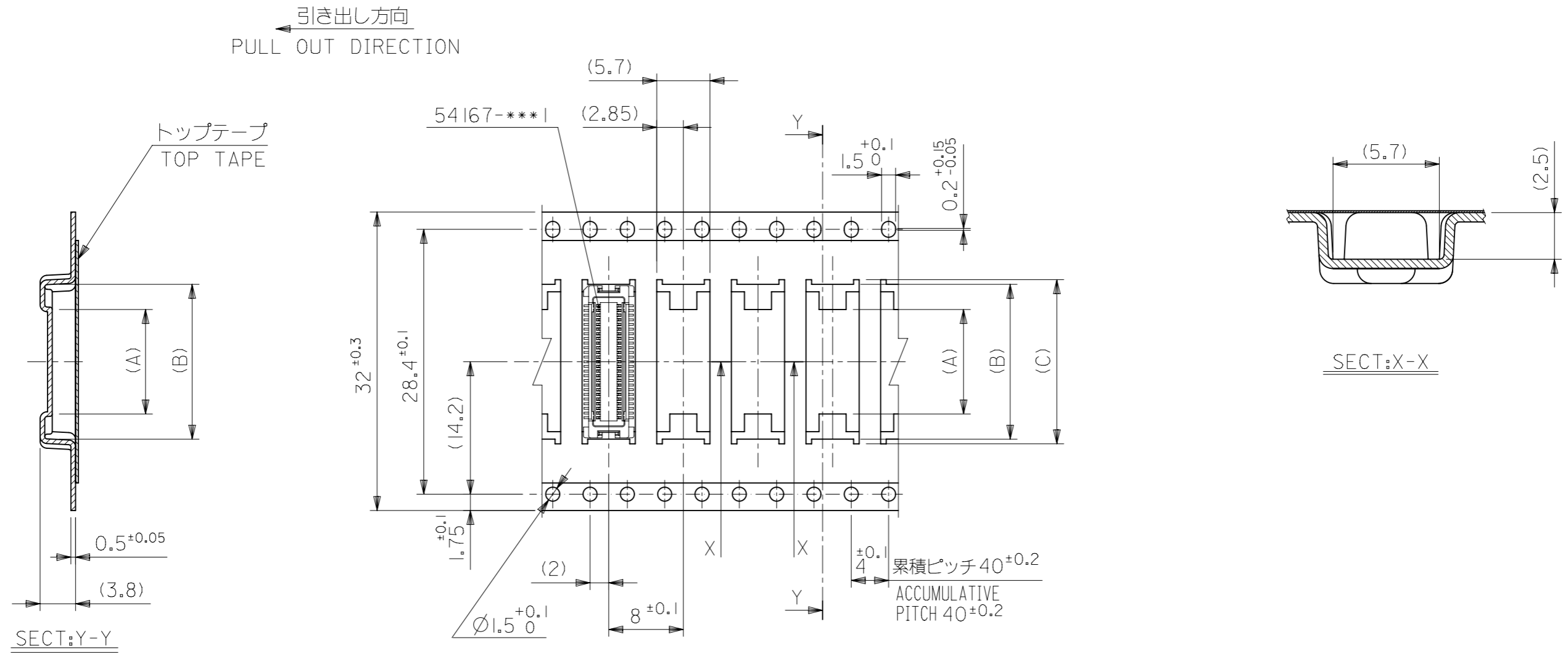
						54167***8	MODEL NO.
24	29.4	25.4	15.1	14.1	7.4	54167-0408	40
			12.6	11.6	4.9	54167-0308	30
キャリアテープ幅 CARRIER TAPE WIDTH	E	D	(C)	(B)	(A)	MATERIAL NO.	極数 CIRCUIT

THIS DRAWING CONTAINS INFORMATION THAT IS PROPRIETARY TO MOLEX ELECTRONIC TECHNOLOGIES, LLC AND SHOULD NOT BE USED WITHOUT WRITTEN PERMISSION

DIMENSION UNITS	SCALE	CURRENT REV DESC:	molex	
mm	NTS		0.5 B/B CONN REC HSG ASSY EMBSTP PKG -LEAD FREE-	
GENERAL TOLERANCES (UNLESS SPECIFIED)		EC NO: 624787	PRODUCT CUSTOMER DRAWING	
4 PLACES	±	DRWN: RPRABHUM	2019/05/24	DOCUMENT NUMBER
3 PLACES	±	CHK'D: GGA	2019/11/11	SD-54167-002
2 PLACES	±	APPR: GGA	2019/11/11	DOC TYPE
1 PLACE	±	INITIAL REVISION:	1996/11/25	001
0 PLACES	±	DRWN: S.AIHARA	2000/12/06	F1
		APPR: M.FUKUSHIMA		REVISION
ANGULAR TOL	± 3.0°			
DRAFT WHERE APPLICABLE MUST REMAIN WITHIN DIMENSIONS		THIRD ANGLE PROJECTION	DRAWING	SERIES
			A3-SIZE	54167
		MATERIAL NUMBER	CUSTOMER	SHEET NUMBER
		SEE CHART	GENERAL MARKET	3 OF 4

GENERAL TOLERANCES (UNLESS SPECIFIED)

10 ^{UNDER}	±	----
10 ^{OVER}	30 ^{UNDER}	±
30 ^{OVER}		±



32mm幅キャリアテープ
32mm WIDTH CARRIER TAPE

32						37.4		33.4		17.6		16.6		11.2		54167-0508		50	
キャリアテープ幅 CARRIER TAPE WIDTH						E		D		(C)		(B)		(A)		MATERIAL NO.		極数 CIRCUIT	

54167***8 MODEL NO.

THIS DRAWING CONTAINS INFORMATION THAT IS PROPRIETARY TO MOLEX ELECTRONIC TECHNOLOGIES, LLC AND SHOULD NOT BE USED WITHOUT WRITTEN PERMISSION

DIMENSION UNITS		SCALE		CURRENT REV DESC:				molex			
mm		NTS		EC NO: 624787							
GENERAL TOLERANCES (UNLESS SPECIFIED)				DRWN: RPRABHUM 2019/05/24				0.5 B/B CONN REC HSG ASSY EMBSTP PKG -LEAD FREE-			
4 PLACES ±				CHK'D: GGA 2019/11/11				PRODUCT CUSTOMER DRAWING			
3 PLACES ±				APPR: GGA 2019/11/11				DOCUMENT NUMBER			
2 PLACES ±				INITIAL REVISION:				SD-54167-002			
1 PLACE ±				DRWN: S.AIHARA 1996/11/25				DOC TYPE DOC PART REVISION			
0 PLACES ±				APPR: M.FUKUSHIMA 2000/12/06				PSD 001 F1			
ANGULAR TOL ± 3.0°				DRAFT WHERE APPLICABLE MUST REMAIN WITHIN DIMENSIONS				THIRD ANGLE PROJECTION			
DRAWING				SERIES				MATERIAL NUMBER			
A3-SIZE				54167				SEE CHART			
CUSTOMER				GENERAL MARKET				SHEET NUMBER			
4 OF 4											

GENERAL TOLERANCES (UNLESS SPECIFIED)

10 ^{UNDER}	±	----
10 ^{OVER} 30 ^{UNDER}	±	----
30 ^{OVER}	±	----