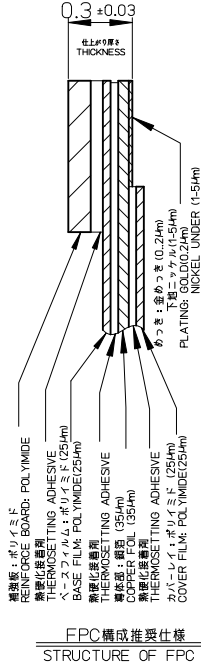
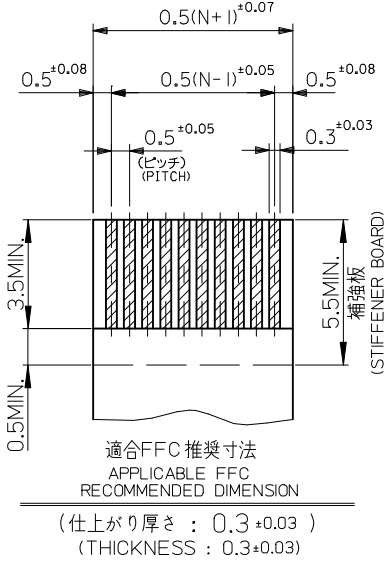
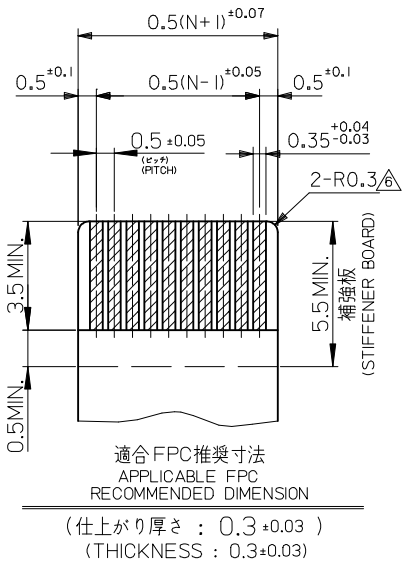


30.5	29.3	25.65	24.5	54104-5081	50
25.5	24.3	20.65	19.5	54104-4081	40
D	C	B	A	EMBOSSED PACKAGE	CKT.
ORDER NO.オーダー番号					

CONNECTOR SERIES NO. : 54104-**-69

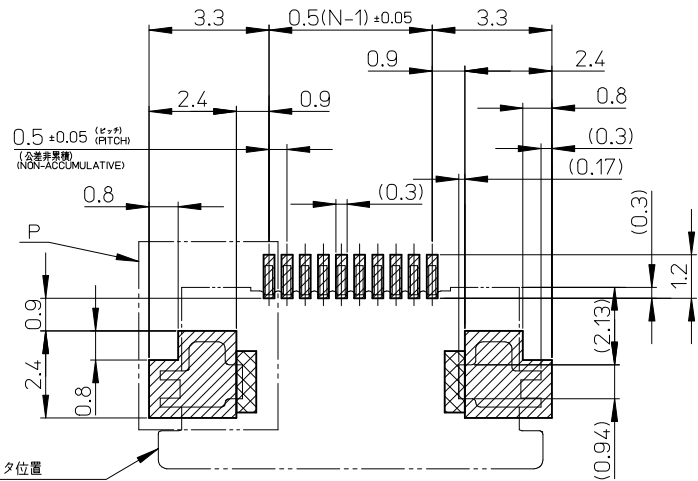
RELEASED EC NO.: J2015-0504 DRWN: NASANUMA 2014/10/16 CHKD: KTAKAHASHI 2015/04/20 APPR: YNOGAWA 2015/04/22	GENERAL TOLERANCES (UNLESS SPECIFIED)			DIMENSION STYLE		SCALE		DESIGN UNITS		THIRD ANGLE PROJECTION
				MM ONLY		---		METRIC		
	DESCRIPTION			DRAWN BY		DATE		TITLE		0.5 FPC CONN. ZIF SMT R/A UPPER CONTACT SEPARATED AU PLT L-H molex DOCUMENT NO. SD-54104-085 SHEET NO. 1 OF 3
	0.25 UNDER UNDER ±0.03			NASANUMA		2014/10/16				
0.25 OVER 0.5 UNDER ±0.05			CHECKED BY		DATE					
0.5 OVER 1.0 UNDER ±0.1			KTAKAHASHI		2015/04/21					
1.0 OVER 10 UNDER ±0.2			APPROVED BY		DATE					
10 OVER 30 UNDER ±0.25			YNOGAWA		2015/04/22					
30 OVER ±0.3			MATERIAL NO.							
ANGULAR ±3 °			SEE CHART							
DRAFT WHERE APPLICABLE MUST REMAIN WITHIN DIMENSIONS			SIZE		A3		THIS DRAWING CONTAINS INFORMATION THAT IS PROPRIETARY TO MOLEX INCORPORATED AND SHOULD NOT BE USED WITHOUT WRITTEN PERMISSION			



FPC/FFCについて：
 打ち抜き方向は導体側から補強板側を推奨いたします。
 導体部は軟銅箔 35MICROMETER または 50MICROMETERを推奨いたします。
 FFCに規定された定格温度がFPC単体前提である場合が御座います。
 コネクタと組み合わせての実使用に置いて、接着層が劣化するなどの信頼性を満足できないケースを回避するため、
 実機での評価/確認をお願い致します。
 RECOMMENDED PUNCHER DIRECTION
 FROM CONDUCTOR SIDE TO STIFFENER BOARD SIDE.
 RECOMMENDED CONDUCTOR SPEC
 THICKNESS OF SOFT COPPER FOIL
 : 35MICROMETERS OR 50MICROMETERS
 NOTE: WHEN ACTUALLY USING IT WITH CONNECTOR, PLEASE DO THE EVALUATION AND THE
 CONFIRMATION WITH AN ACTUAL EQUIPMENT TO EVADE THE CASE WHERE RELIABILITY
 CANNOT BE FILLED (THE ADHESIVE LINE OF FFC IS DETERIORATED ETC.)

FPCについて：
 補強フィルム材質はポリイミドを推奨いたします。
 接着剤は熱硬化接着剤を推奨いたします。
 尚、接着剤の接点部への付着は導通不良の原因になりますので、染み出しが無い様お願い致します。
 RECOMMENDED MATERIAL
 STIFFENER FILM : POLYIMIDE
 BONDING AGENT : THERMOSETTING BONDING AGENT
 NOTE: PLEASE PUT APPROPRIATE AMOUNT OF ADHESIVE ON ADHEREND BECAUSE THERE
 IS A POSSIBILITY THAT THE EXTRA ADHESIVE CAUSES THE DEFECT IN ELECTRICAL CONTINUITY.
 THERE IS A POSSIBILITY THAT THE PRESCRIPT TEMPERATURE OF FFC IS SET TO SINGLE IT.

SEE SHEET 1 OF 3 EC NO: J2015-0504 DRWN:NASANUMA 2014/10/16 CHKD:KTAKAHASHI 2015/04/20 APPR:YNOGAWA 2015/04/22	GENERAL TOLERANCES (UNLESS SPECIFIED)		DIMENSION STYLE MM ONLY		SCALE ---	DESIGN UNITS METRIC	THIRD ANGLE PROJECTION	
	0.25 UNDER	UNDER	±0.03	DRAWN BY	DATE	TITLE		
	0.25 OVER	0.5 UNDER	±0.05	NASANUMA	2014/10/16	0.5 FPC CONN. ZIF SMT R/A UPPER CONTACT SEPARATED AU PLT L-H		
	0.5 OVER	1.0 UNDER	±0.1	CHECKED BY	DATE	molex		
	1.0 OVER	10 UNDER	±---	KTAKAHASHI	2015/04/21			
10 OVER	30 UNDER	±---	APPROVED BY	DATE	MATERIAL NO.	DOCUMENT NO.	SHEET NO.	
30 OVER		±---	YNOGAWA	2015/04/22	SEE SHEET 1 OF 3	SD-54104-085	2 OF 3	
ANGULAR	±---	°	THIS DRAWING CONTAINS INFORMATION THAT IS PROPRIETARY TO MOLEX INCORPORATED AND SHOULD NOT BE USED WITHOUT WRITTEN PERMISSION					



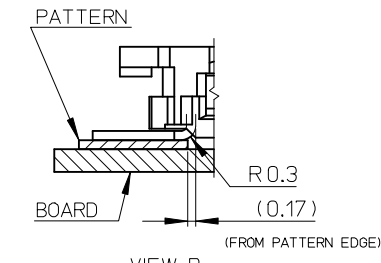
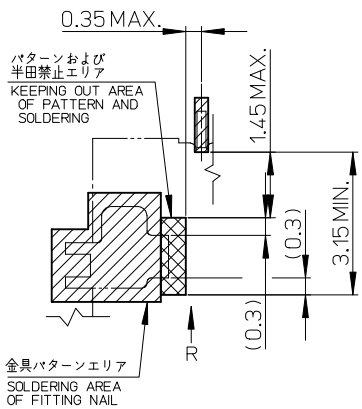
コネクタ位置
CONNECTOR POSITION

参考基板レイアウト
P.W.BOARD PATTERN DIMENSION(REF.)

(マウント面) マスク厚 : 100 μm
(MOUNTING SIDE) マスク開口率 : 100%
SCREEN THICKNESS : 100 MICROMETER
SCREEN OPEN RATIO : 100%

注記 NOTES

1. 使用材料 MATERIAL
ハウジング : ナイロン、ガラス充填、白、UL94V-0
HOUSING PA, GLASS FILLED, WHITE, UL94V-0
アクチュエータ : ポリフェニレンサルファイド (PPS)、ガラス充填、茶色、UL94V-0
ACTUATOR POLYPHENYLENE SULFIDE, GLASS FILLED, BROWN, UL94V-0
ターミナル : リン青銅 (t=0.2)
TERMINAL PHOSPOR BRONZE
金具 : リン青銅 (t=0.2)
FITTING NAIL PHOSPOR BRONZE
2. メッキ仕様 PLATING
ターミナル TERMINAL
コンタクト部 : 金メッキ 0.1マイクロメートル以上
CONTACT AREA : GOLD 0.1 MICROMETER MINIMUM
テール部 : 金メッキ
TAIL AREA : GOLD
下地メッキ : ニッケルメッキ 1.0マイクロメートル以上
UNDER PLATING : NICKEL 1.0 MICROMETER MINIMUM
金具 FITTING NAIL
錫メッキ 1.0マイクロメートル以上
TIN 1.0 MICROMETER MINIMUM
下地メッキ : ニッケルメッキ 1.0マイクロメートル以上
UNDER PLATING : NICKEL 1.0 MICROMETER MINIMUM
3. ソルダータール半田付け面のズレ量、および金具半田付け面のズレ量は基準面 ④ に対し上方向 0.1MAXIMUM、下方向 0.15MAXIMUMとする。
MISALIGNMENT OF SOLDER TAILS AND FITTING NAILS FROM ④ UPPER DIRECTION : 0.1MAXIMUM, LOWER DIRECTION : 0.15 MAXIMUM.
4. 偶数極に適用。
APPLY FOR EVEN CIRCUIT.
5. パターンはく離止め金具。
FITTING NAIL FOR PREVENTION OF PEELING OF P.W.BOARD PATTERN.
6. R0.3はFPCの導体部にかからないこと。
R0.3 MUST NOT BE OVERLAPED TO PATTERN OF FPC.
7. エンボステープ梱包時はアクチュエータがロックした状態とする。
IN THE PACKAGE, ACTUATOR OF PART NO.54104-**29 SHOULD BE LOCKED.
8. ELV & RoHS適合品
ELV AND RoHS COMPLIANT



VIEW_R (DETAIL OF FITTING NAIL ON BOARD)

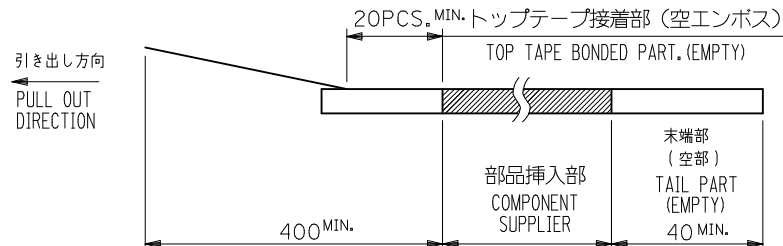
SEE SHEET 1 OF 3 EC NO: J2015-0504 DRWN:NASUNUMA 2015/04/22 CHKD:KAKAHASHI 2015/04/22 APPR:YNOGAWA 2015/04/22	GENERAL TOLERANCES (UNLESS SPECIFIED)		DIMENSION STYLE MM ONLY		SCALE ---	DESIGN UNITS METRIC	THIRD ANGLE PROJECTION	
	0.25 UNDER	UNDER	±0.03	DRAWN BY	DATE	TITLE		
	0.25 OVER	0.5 UNDER	±0.05	NASANUMA	2015/04/22	0.5 FPC CONN. ZIF SMT R/A UPPER CONTACT SEPARATED AU PLT L-H		
	0.5 OVER	1.0 UNDER	±0.1	CHECKED BY	DATE	molex		
1.0 OVER	10 UNDER	±---	KTAKAHASHI	2015/04/22	APPROVED BY		DATE	MATERIAL NO.
10 OVER	30 UNDER	±---	YNOGAWA	2015/04/22	SEE SHEET 1 OF 3		DATE	DOCUMENT NO.
30 OVER		±---			SIZE A3		THIS DRAWING CONTAINS INFORMATION THAT IS PROPRIETARY TO MOLEX INCORPORATED AND SHOULD NOT BE USED WITHOUT WRITTEN PERMISSION	
ANGULAR		±---			SIZE A3			
DRAFT WHERE APPLICABLE MUST REMAIN WITHIN DIMENSIONS								

NOTES

1. 製品(54104-**-69)の詳細寸法については、
図面SD-51404-085をご参照ください。
IN THE PACKAGE, PART NO. 54104-**-69 DETAILED DIMENSIONS.
REFER TO SALES DRAWING NO. SD-54104-085.

2. 梱包数量：1500個/リール。
NUMBER OF CONNECTORS：1500 PCS/REEL.

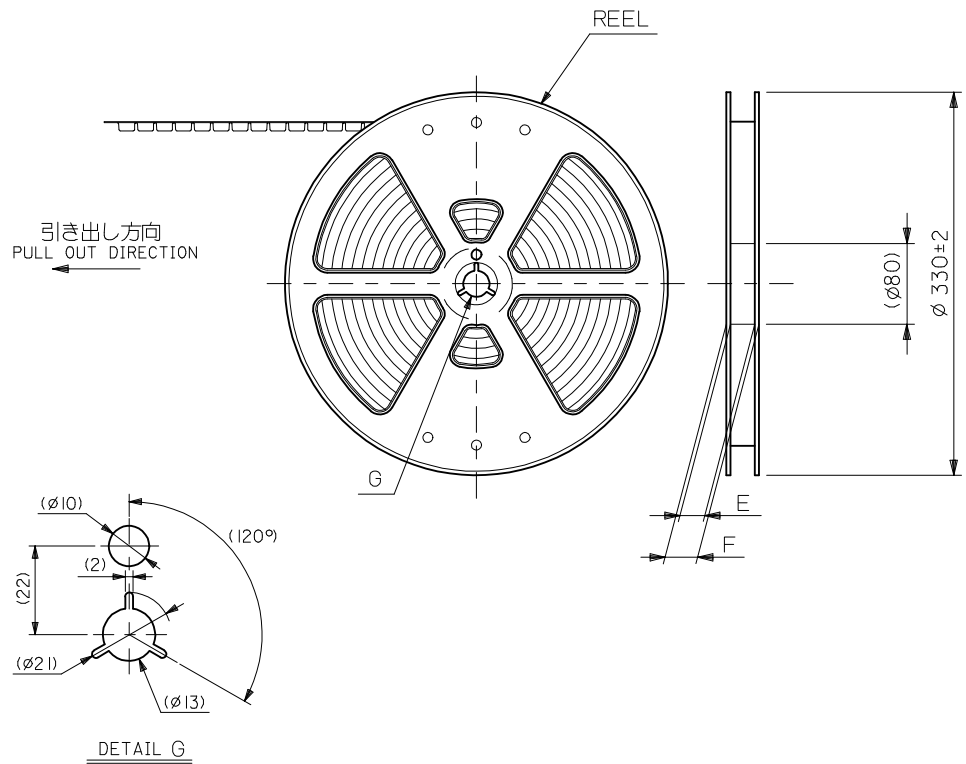
3. リードテープ長さ
LEAD TAPE LENGTH



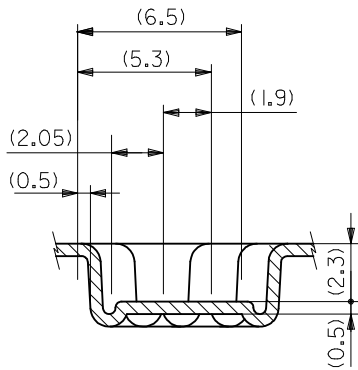
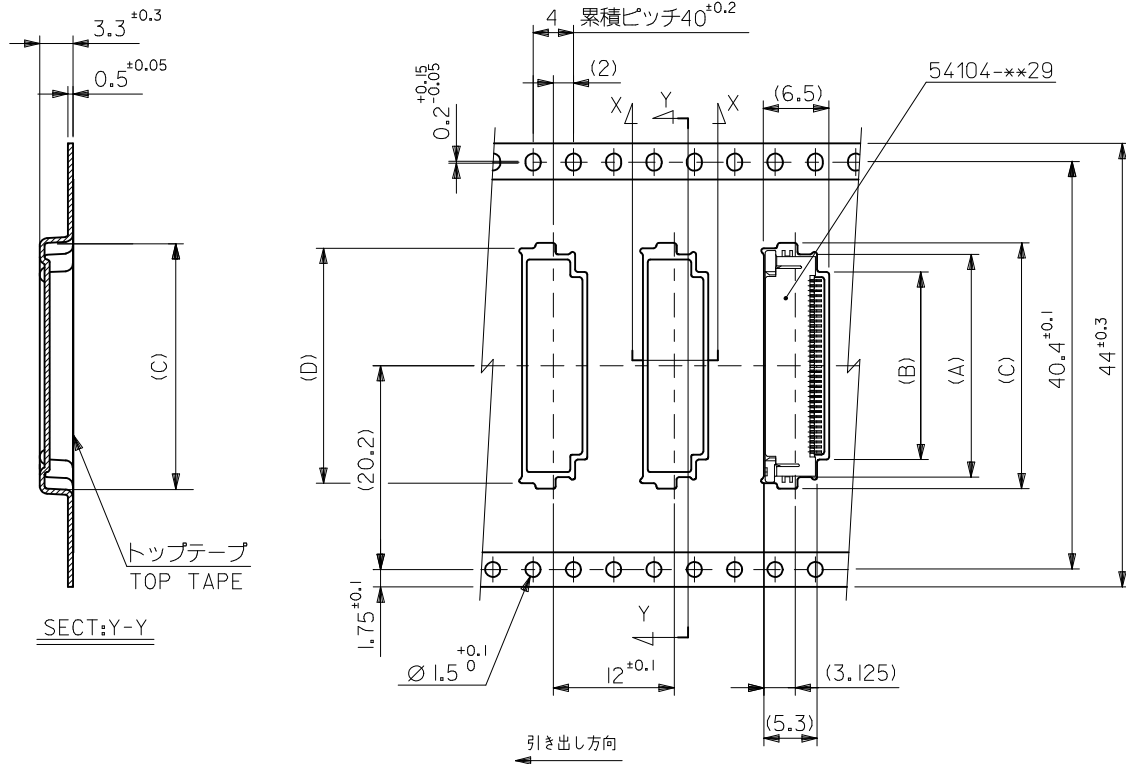
4. トップテープの剥離強度については、IEC60286-3に準拠。
TOP TAPE REEL FORCE IS DEFINED BY IEC60286-3.

5. 材料
キャリアテープ：ポリスチレン (PS)
トップテープ：PET他
リール：ポリスチレン (PS)
MATERIAL
CARRIER TAPE：POLYSTYRENE(PS)
TOP TAPE：PET, OTHER
REEL：POLYSTYRENE(PS)

6. 本製品は54104-**-96のターミナル部分金めっき、ローハロゲン品である。
THIS PRODUCT IS PARTIAL AU PLATING TERMINAL
AND LOW-HALOGEN OF 54104-**-96.



RELEASED EC NO: J2015-0504 DRWN:NASANUMA 2014/10/16 CHKD:KAKAHASHI 2015/04/20 APPR:YNOGAWA 2015/04/22	GENERAL TOLERANCES (UNLESS SPECIFIED)			DIMENSION STYLE MM ONLY		SCALE 2:1	DESIGN UNITS METRIC	THIRD ANGLE PROJECTION
	0.25 UNDER	UNDER	±0.03	DRAWN BY	DATE	TITLE		
	0.25 OVER	0.5 UNDER	±0.05	NASANUMA	2014/10/16	EMBOSSED TAPE PACKAGE		
	0.5 OVER	1.0 UNDER	±0.1	CHECKED BY	DATE	FOR 54104-**-69		
	1.0 OVER	10 UNDER	±0.2	KAKAHASHI	2015/04/21	-LEAD FREE- L-H		
	10 OVER	30 UNDER	±0.25	APPROVED BY	DATE	molex DOCUMENT NO. SD-54104-086 SHEET NO. 1 OF 2		
30 OVER		±0.3	YNOGAWA	2015/04/22				
ANGULAR	±3 °		MATERIAL NO.		SEE SHEET 2 OF 2			
DRAFT WHERE APPLICABLE MUST REMAIN WITHIN DIMENSIONS				SIZE A3	THIS DRAWING CONTAINS INFORMATION THAT IS PROPRIETARY TO MOLEX INCORPORATED AND SHOULD NOT BE USED WITHOUT WRITTEN PERMISSION			



44	49.4	45.4	30.8	31.9	26.1	29.6	54104-5081	50
	49.4	45.4	25.8	26.9	21.1	24.6	54104-4081	40
キャリアテープ幅 CARRIER TAPE WIDTH	F	E	D	C	B	A	MATERIAL NO.	CKT.

SEE SHEET 1 OF 2 EC NO: J2015-0504 DRWN:NASANUMA 2014/10/16 CHKD:KTAKAHASHI 2015/04/20 APPR:YNOGAWA 2015/04/22	GENERAL TOLERANCES (UNLESS SPECIFIED)		DIMENSION STYLE MM ONLY		SCALE 2:1	DESIGN UNITS METRIC	THIRD ANGLE PROJECTION		
	0.25 UNDER	UNDER	±0.03	DRAWN BY	DATE	TITLE			
	0.25 OVER	0.5 UNDER	±0.05	NASANUMA	2014/10/16	EMBOSSED TAPE PACKAGE FOR 54104-**69 -LEAD FREE- L-H			
	0.5 OVER	1.0 UNDER	±0.1	KTAKAHASHI	2015/04/21	molex			
	1.0 OVER	30 UNDER	±0.2	YNOGAWA	2015/04/22				
30 OVER		±0.3	MATERIAL NO.		DOCUMENT NO.		SHEET NO.		
ANGULAR	±3 °		SEE CHART		SD-54104-086		2 OF 2		
DRAFT WHERE APPLICABLE MUST REMAIN WITHIN DIMENSIONS				SIZE A3	THIS DRAWING CONTAINS INFORMATION THAT IS PROPRIETARY TO MOLEX INCORPORATED AND SHOULD NOT BE USED WITHOUT WRITTEN PERMISSION				