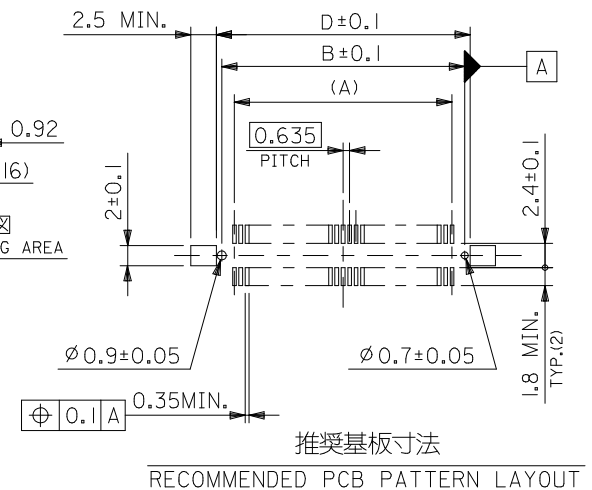
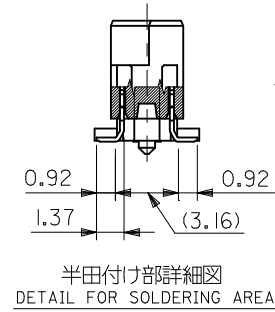
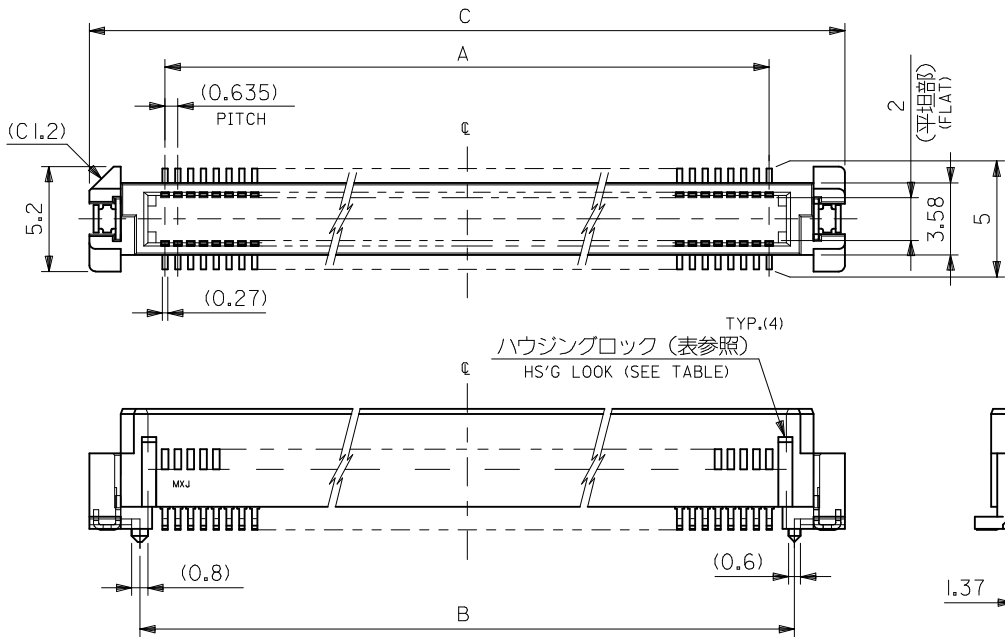


10 9 8 7 6 5 4 3 2 1



注) NOTES

1. 材質 MATERIAL
 ハウジング : ガラス入りPPS、茶色、UL94V-0
 HOUSING: G.F.PPS, BROWN, UL94V-0
 ターミナル : 銅合金 (t=0.2)
 TERMINAL: COPPER ALLOY

2. メッキ仕様 PLATING
 接点部 : 金メッキ 0.25 μm MIN.
 CONTACT AREA: GOLD 0.25 μm MIN.
 半田付け部 : 錫メッキ 1.0 μm MIN.
 SOLDER TAIL AREA: TIN 1.0 μm MIN.
 下地メッキ : ニッケルメッキ 1.5 μm MIN.
 UNDER-PLATING: NICKEL 1.5 μm MIN.

7 mm	52760-***0
基板間寸法 STACKING HEIGHT	嵌合相手 TO BE MATED WITH

3. テールのバラツキ寸法 TAIL COPLANARITY
 テール平坦度は 0.1MAX. とする。
 TAIL COPLANARITY TO BE 0.1 MAX.

4. エンボス対応済みの極数については、SD-53481-002を参照下さい。
 FOR THE EMBOSSED PACKAGE PRODUCTS, SEE SD-53481-002.

5. 本製品は53481-***7の鉛フリー品である。
 THIS PRODUCT IS LEAD FREE OF 53481-***7.

REVISED EC NO: J2009-0643 DRWN: MAKURAA 2008/11/26 CHKD: T. HARUYAMA 2008/11/26 APPR: NUKITA 2009/01/08	DESCRIPTION	GENERAL TOLERANCES (UNLESS SPECIFIED)		DIMENSION STYLE		SCALE		DESIGN UNITS		THIRD ANGLE PROJECTION	
		10 UNDER ±0.2		MM ONLY		4:1		METRIC		☉ □	
		10 OVER 30 UNDER ±0.25		DRAWN BY H. KAWABATA DATE '04/3/8		TITLE		0.635 PITCH B-T0-B S/T PLUG HSG ASSY -LEAD FREE-			
		30 OVER ±0.3		CHECKED BY K. TOJO DATE '04/3/8		APPROVED BY M. SASAO DATE '04/3/8		MOLEX MOLEX INCORPORATED			
A	REV	ANGULAR ±3 °		MATERIAL NO. SEE TABLE		DOCUMENT NO. SD-53481-001		SHEET NO. 1 OF 1			
		DRAFT WHERE APPLICABLE MUST REMAIN WITHIN DIMENSIONS		SIZE A3		THIS DRAWING CONTAINS INFORMATION THAT IS PROPRIETARY TO MOLEX INCORPORATED AND SHOULD NOT BE USED WITHOUT WRITTEN PERMISSION					

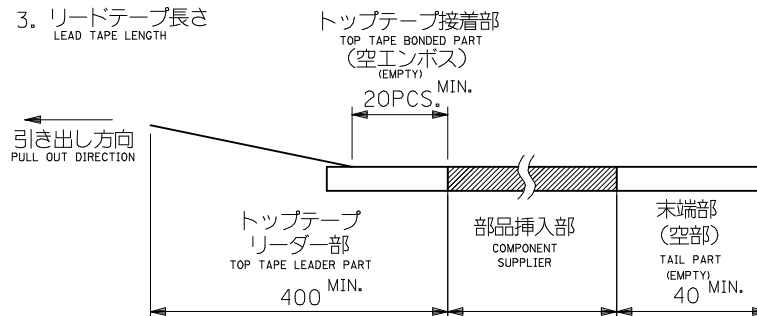
注) NOTES

1. 製品番号 53481-***67 の詳細寸法については、SD-53481-001 を参照下さい。
 IN THE PACKAGE, PART NO. 53481-***67 DETAILED DIMENSIONS, SEE SD-53481-001.

2. 梱包数量 : NUMBER OF CONNECTORS :

CIRCUITS	NUMBER
OTHERS	1000 PCS/REEL
240	800 PCS/REEL

3. リードテープ長さ
LEAD TAPE LENGTH



4. トップテープの剥離強度 (剥離方向は下図参照)

PEELING OFF FORCE OF TOP TAPE (PEELING DIRECTION AS SHOWN IN FOLLOWING FIG.)

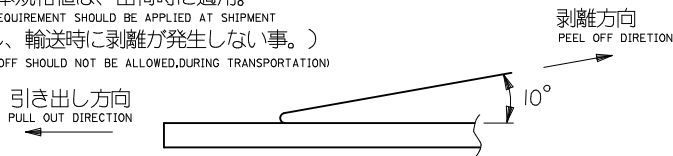
0.1~1.3N {10~130gf} : キャリアテープ幅 24mm~104mm
 0.1~1.3N {10~130gf} : キャリアテープ幅 24mm~104mm

尚、本規格値は、出荷時に適用。

THIS REQUIREMENT SHOULD BE APPLIED AT SHIPMENT

(但し、輸送時に剥離が発生しない事。)

(PEEL OFF SHOULD NOT BE ALLOWED, DURING TRANSPORTATION)



5. 材料

MATERIAL

キャリアテープ : ポリプロピレン (PP)

CARRIER TAPE : POLYPROPYLENE (PP)

トップテープ : PET, PE, PEF

TOP TAPE : PET, PE, PEF

リール

キャリアテープ幅 24mm~56mm : ポリスチレン

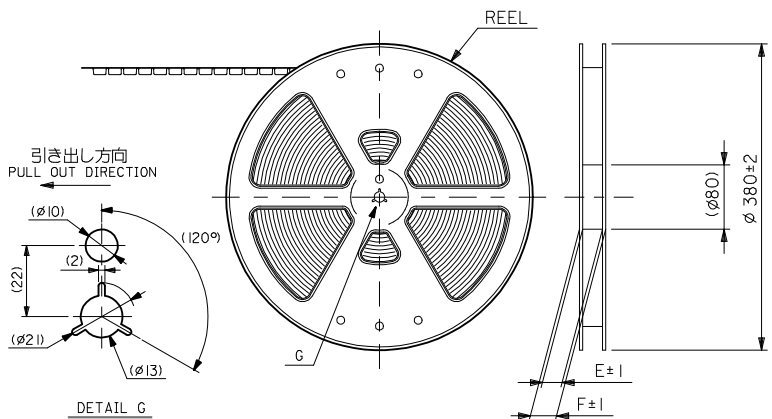
CARRIER TAPE WIDTH 24mm-56mm : POLYSTYRENE

キャリアテープ幅 72mm~104mm : 紙

CARRIER TAPE WIDTH 72mm-104mm : CARD BOARD

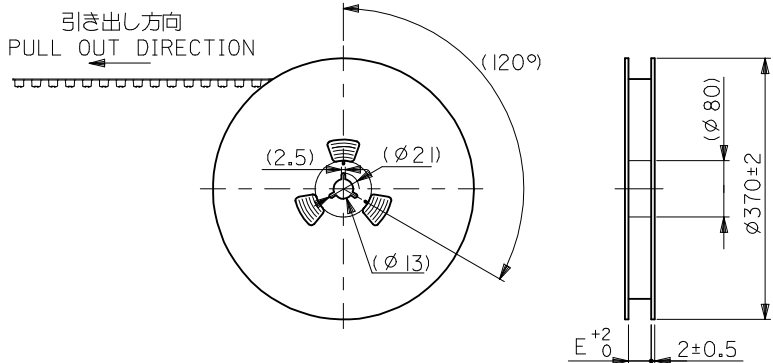
6. 本製品は53481-***8の鉛フリー品である。

THIS PRODUCT IS LEAD FREE OF 53481-***8.



キャリアテープ幅 : 24mm~56mm

CARRIER TAPE WIDTH : 24mm-56mm



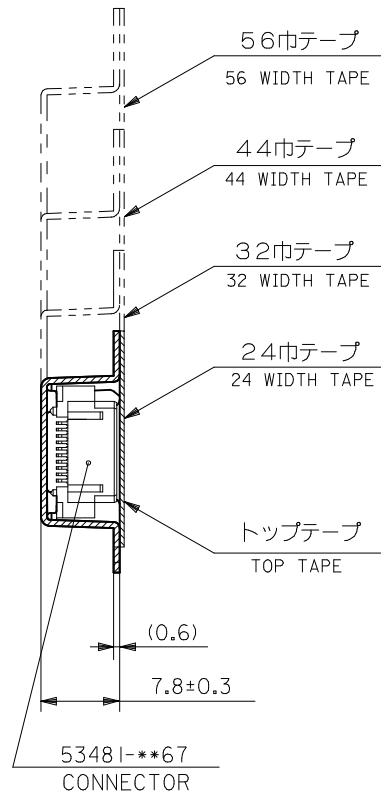
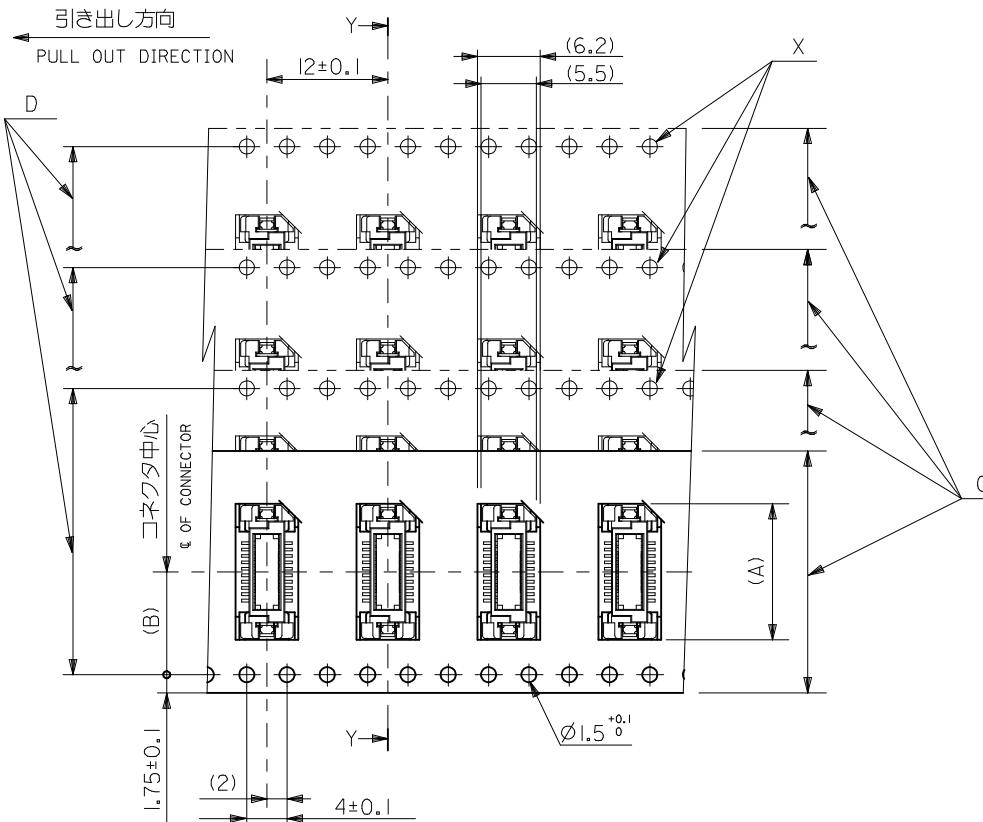
キャリアテープ幅 : 72mm~104mm

CARRIER TAPE WIDTH : 72mm-104mm

53481-***68

MODEL NO.

GENERAL TOLERANCES (UNLESS SPECIFIED)		DIMENSION STYLE		SCALE	DESIGN UNITS	THIRD ANGLE PROJECTION	
		MM ONLY		---	METRIC		
10 UNDER	± ---	DRAWN BY	DATE	TITLE			
10 OVER 30 UNDER	± ---	H. KAWABATA	'04/03/08	53481-***87			
30 OVER	± ---	CHECKED BY	DATE	TAPING PACKAGE			
		K. TOJO	'04/03/08	-LEAD FREE-			
		APPROVED BY	DATE	MOLEX INCORPORATED			
		M. SASAO	'04/03/08	DOCUMENT NO. SD-53481-002			
ANGULAR	± --- °	MATERIAL NO.		SHEET NO. 1 OF 2			
DRAFT WHERE APPLICABLE MUST REMAIN WITHIN DIMENSIONS		SEE TABLE		SD-53481-002			
		THIS DRAWING CONTAINS INFORMATION THAT IS PROPRIETARY TO MOLEX INCORPORATED AND SHOULD NOT BE USED WITHOUT WRITTEN PERMISSION					



断面 Y-Y
SECTION Y-Y

累積ピッチ : 40±0.2
ACCUMULATIVE PITCH : 40±0.2

61.4	57.4	52.4	56 ^{+0.3}	26.2	38.9	53481-1068	100
49.4	45.4	40.4	44 ^{+0.3}	20.2	26.2	53481-0668	60
37.4	33.4	28.4	32 ^{+0.3}	14.2	23.1	53481-0568	50
F	E	D	C キャリアテープ幅 CARRIER TAPE WIDTH	(B)	(A)	MATERIAL NO.	極数 NO. OF CTS.
						MODEL NO.	53481-**68

REVISED EC NO: J2009-0643 DRWN:NAKAMURA 2008/11/26 CHKD:T. HARUYAMA 2008/11/26 APPR:NUKITA 2009/01/08	DESCRIPTION REV	GENERAL TOLERANCES (UNLESS SPECIFIED)		DIMENSION STYLE MM ONLY	SCALE ---	DESIGN UNITS METRIC	THIRD ANGLE PROJECTION	
		10 UNDER	± ---	DRAWN BY H. KAWABATA	DATE '04/03/08	TITLE 53481-**87 TAPING PACKAGE -LEAD FREE-		
		10 OVER 30 UNDER	± ---	CHECKED BY K. TOJO	DATE '04/03/08	MOLEX INCORPORATED		
		30 OVER	± ---	APPROVED BY M. SASAO	DATE '04/03/08	MATERIAL NO.	DOCUMENT NO.	SHEET NO.
ANGULAR ± --- °		DRAFT WHERE APPLICABLE MUST REMAIN WITHIN DIMENSIONS		SEE TABLE		SD-53481-002		
SIZE A3		THIS DRAWING CONTAINS INFORMATION THAT IS PROPRIETARY TO MOLEX INCORPORATED AND SHOULD NOT BE USED WITHOUT WRITTEN PERMISSION						