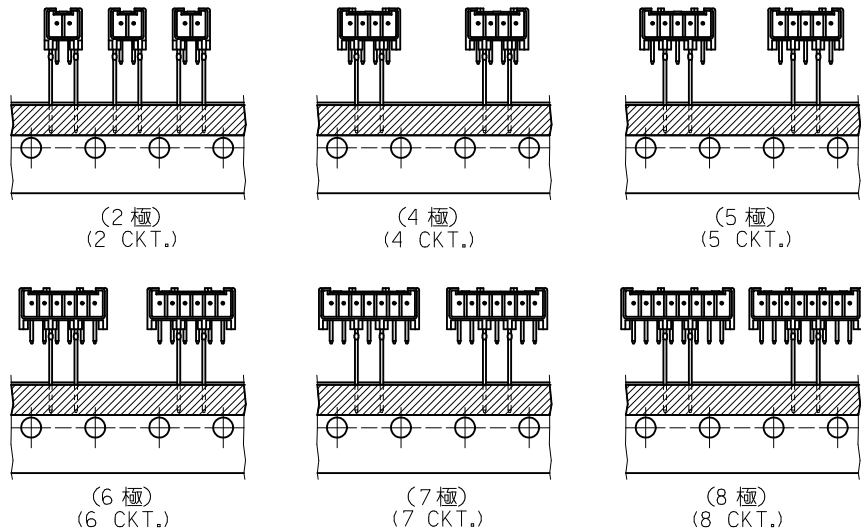


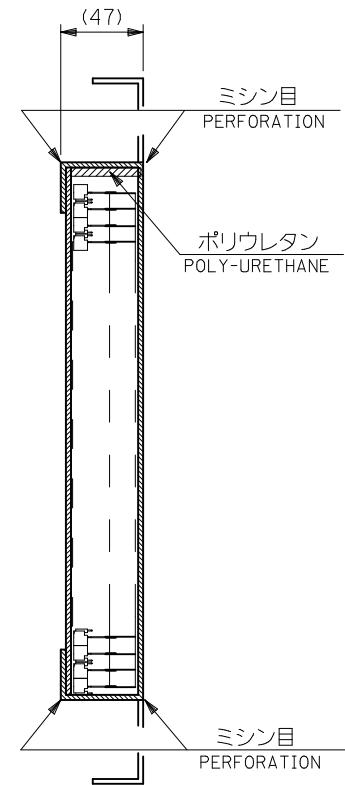
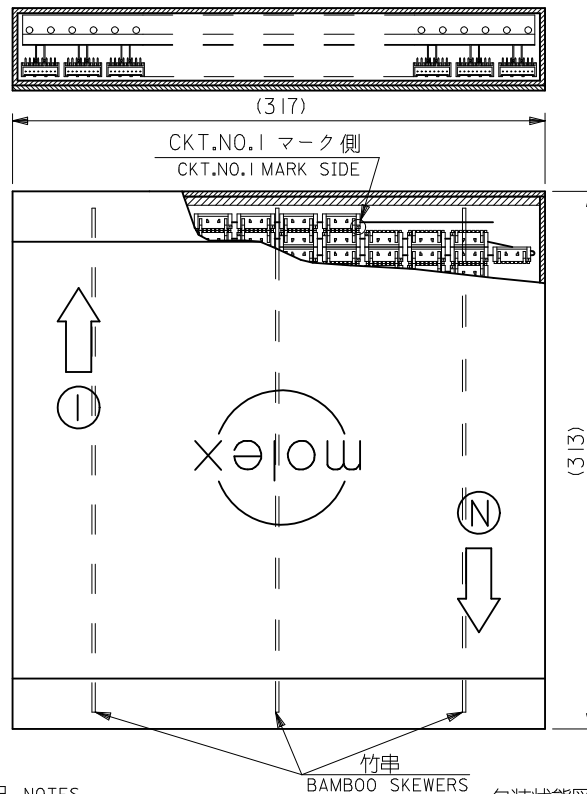
- 注記 NOTES
- △ 偶数極品に適用。  
APPLIES ONLY TO EVEN NO. CKT. SIZES.
  2. 嵌合相手: 51102,51103 シリーズ  
MATES WITH:51102,51103 SERIES.
  - △ 累積ピッチの許容差は、20ピッチで ±1.0mm とする。  
ACCUMULATED TOLERANCE IS TO BE ±1.0mm PER 20 PITCH.
  - △ 粘着テープは、台紙からはみ出さないこと。  
THE ADHESIVE TAPE SHOULD NOT BE PROTRUDED FROM THE BASE TAPE.
  - △ リード線の曲がりの許容差は 1mm MAX. とする。  
CAMBER OF THE LEADS: 1mm MAX.
  - △ 測定位置は、コネクタの先端とする。  
INCLINED POSITION FROM THE CENTER-LINE, SHOULD BE 1mm MAX. MEASURING SHOULD BE DONE, USING THE TOP OF BASE TAPE AS DATUM.
  - △ 測定位置は、台紙の上端とリード線の中心線との間隔とする。  
DIM. 3.85 AND DIM. 5 SHOULD BE MEASURED ON THE TOP OF BASE TAPE. DIMENSIONS ARE A SPACING BETWEEN THE CENTER-LINES.
  8. ELV及びRoHS適合品。  
ELV AND ROHS COMPLIANT.

300	6.25	25.4	22.4	20.7	17.5	53426-0080	8
	5.0	25.4	19.9	18.2	15.0	53426-0070	7
	3.75	25.4	17.4	15.7	12.5	53426-0060	6
	2.5	25.4	14.9	13.2	10	53426-0050	5
	1.25	25.4	12.4	10.7	7.5	53426-0040	4
700	—	12.7	7.4	5.7	2.5	53426-0020	2
包装数量/箱 QTY/CARTON	E	D	C	B	A	RADIAL TAPING ORDER No. MATERIAL NO.	極数 NO. OF CKTS.

REVISED EC NO: J2011-0157 DRWN: NYOSHIKAWA 2010/06/08 CHKD: KASAKAWA 2010/07/30 APPR: NUKITA 2010/08/03	DESCRIPTION	GENERAL TOLERANCES (UNLESS SPECIFIED)	DIMENSION STYLE	SCALE	DESIGN UNITS	THIRD ANGLE PROJECTION	
	REV	10 UNDER	±0.2	MM ONLY	3:1	METRIC	
		10 OVER 30 UNDER	±0.25	DRAWN BY	DATE	TITLE	2.5 W/B CONN WAFER ASSY R/A RADIAL TAPING
		30 OVER	±0.3	ESATO	2006/06/21		
		ANGULAR	±3 °	CHECKED BY	DATE		MOLEX INCORPORATED
	DRAFT WHERE APPLICABLE MUST REMAIN WITHIN DIMENSIONS		NUKITA	2006/06/28			
			MATERIAL NO.	DOCUMENT NO.	SHEET NO.		
			SEE TABLE	SD-53426-003	1 OF 2		

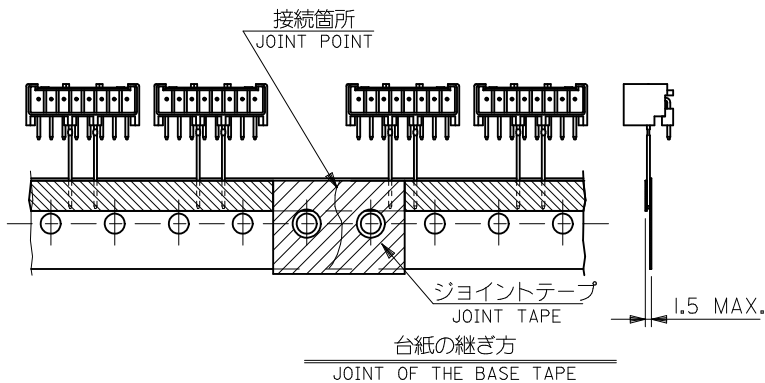


極数別テーピング状態図  
CKT. TAPING FORM



注記 NOTES

- 包装形態はつづら折りで箱詰め。  
RADIAL TAPE IS FOLDED AND PILED IN THE CARTON.
- テーピングの両端には、5個以上の送り穴を設けること。  
BOTH ENDS OF TAPING, MORE THAN 5 FEEDING HOLES SHOULD BE PROVIDED.
- コネクタの欠落数は、D寸法 (SHEET 1 OF 2 参照) が 1.2, 7の場合連続3個まで、2.5, 4の場合1個とする。(折り目ごとの1個抜きも含む)  
ALLOWABLE NUMBERS OF CONSECUTIVE MISSING CONNECTORS:  
FOR CONNECTORS WHERE D=12.7, =3 (REFER TO SHEET 1 OF 2)  
FOR CONNECTORS WHERE D=25.4, =1
- 台紙の継ぎ目のずれは、いかなる方向からも ±0.3以内とする。  
MISMATCHED JOINT OF THE BASE TAPE SHOULD BE KEPT WITHIN ±0.3mm IN EVERY DIRECTIONS.
- 図中以外の項目は、日本工業規格 JIS C0805 \* 電子部品のテーピング \* を適用。  
ITEMS UNLESS OTHERWISE SPECIFIED, JIS C 0805 (TAPING OF ELECTRONIC COMPONENTS) SHOULD BE APPLIED.



REVISED EC NO: J2011-0157 DRWN: NYOSHIKAWA 2010/06/08 CHKD: KASAKAWA 2010/07/30 APPR: NUKITA 2010/08/03	DESCRIPTION REV	GENERAL TOLERANCES (UNLESS SPECIFIED)		DIMENSION STYLE MM ONLY		SCALE ---	DESIGN UNITS METRIC	THIRD ANGLE PROJECTION		
		10 UNDER	±0.2	DRAWN BY ESATO	DATE 2006/06/21	TITLE 2.5 W/B CONN WAFER ASSY R/A RADIAL TAPING				
		10 OVER 30 UNDER	±0.25	CHECKED BY NUKITA	DATE 2006/06/28	MOLEX INCORPORATED				
		30 OVER	±0.3	APPROVED BY NUKITA	DATE 2006/06/28	DOCUMENT NO. SD-53426-003				
ANGULAR ±3 °		DRAFT WHERE APPLICABLE MUST REMAIN WITHIN DIMENSIONS		MATERIAL NO. SEE SHEET 1		SHEET NO. 2 OF 2				
THIS DRAWING CONTAINS INFORMATION THAT IS PROPRIETARY TO MOLEX INCORPORATED AND SHOULD NOT BE USED WITHOUT WRITTEN PERMISSION										