

注記 NOTES

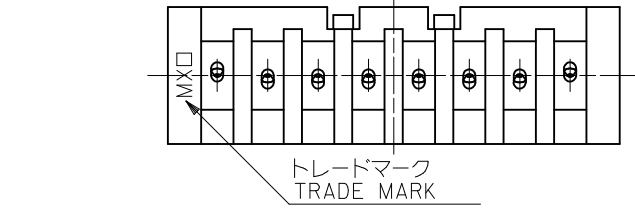
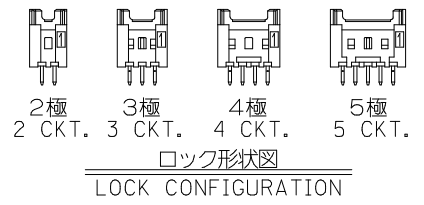
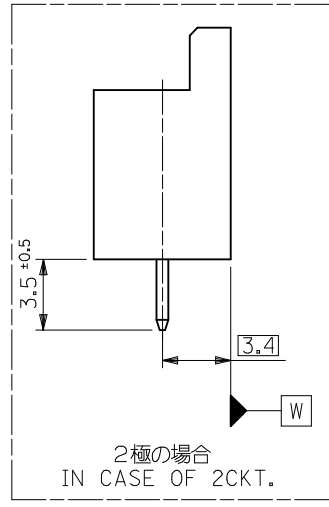
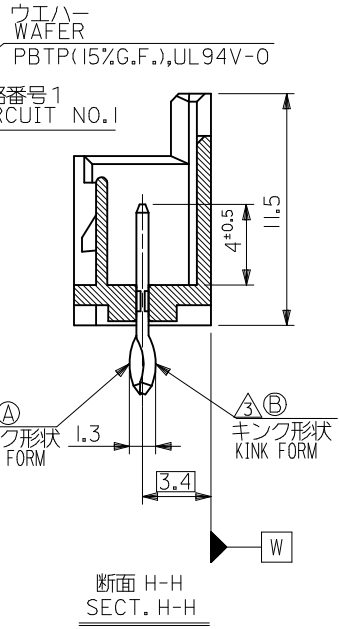
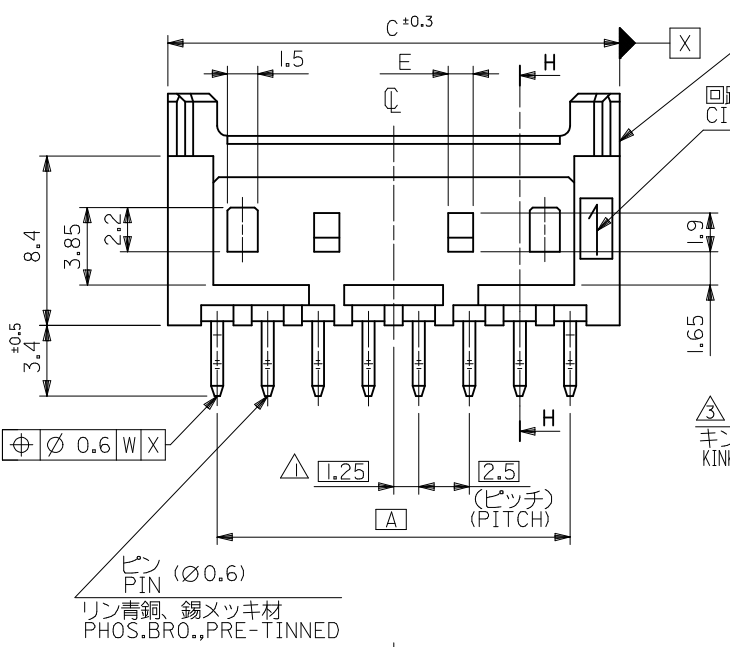
△ 偶数極品に適用。
 APPLIES ONLY TO EVEN NO. CKT. SIZES.

2. 嵌合相手: 51102, 51103 シリーズ
 MATES WITH: 51102, 51103 SERIES.

△ 2極はキンクを付加しない。
 3極以上のキンク形状は両サイドが (A)、その他の極はすべて (B) 形状とする。

KINK FORM
 2 CIRCUIT: PINS TO BE NOT KINKED.
 MORE THAN 2 CIRCUIT:
 PINS AT BOTH ENDS ARE KINK FORMED TO (A),
 THE OTHER PINS ARE KINK FORMED TO (B).

4. 製品型番の下 1 桁は色を表します。
 LAST DIGIT OF PART NUMBER INDICATES COLOR.
 0: 白 WHITE 1: 黒 BLACK 2: 赤 RED
 3: 黄 YELLOW 4: 青 BLUE



REVISED EC NO: J2009-1423 DRWN: TAKAZONO 2008/12/03 CHKD: MATSUMOTO 2008/12/04 APPR: NUKITA 2008/12/04	DESCRIPTION	GENERAL TOLERANCES (UNLESS SPECIFIED)		DIMENSION STYLE MM ONLY		SCALE 4:1	DESIGN UNITS METRIC	THIRD ANGLE PROJECTION	MODEL NO. 53375-**2*
		10 UNDER	±0.2	DRAWN BY K. TOJO	DATE 1993/05/14	TITLE 2.5 WIRE TO BOARD CONN. WAFER ASSY WITH KINK -LEAD FREE-			
		10 OVER 30 UNDER	±0.25	CHECKED BY K. ASAKAWA	DATE 2003/04/28	MOLEX INCORPORATED DOCUMENT NO. SD-53375-002 SHEET NO. 1 OF 2			
		30 OVER	±0.3	APPROVED BY T. YAMAGUCHI	DATE 2003/04/28				
REV	ANGULAR ±3 °	DRAFT WHERE APPLICABLE MUST REMAIN WITHIN DIMENSIONS		MATERIAL NO. SEE SHEET 2		THIS DRAWING CONTAINS INFORMATION THAT IS PROPRIETARY TO MOLEX INCORPORATED AND SHOULD NOT BE USED WITHOUT WRITTEN PERMISSION			

1.25	I	39.9	38.2	35			53375-1520	15
↑	↑	37.4	35.7	32.5			53375-1420	14
		34.9	33.2	30			53375-1320	13
		32.4	30.7	27.5			53375-1220	12
		29.9	28.2	25			53375-1120	11
		27.4	25.7	22.5		53375-1021	53375-1020	10
		24.9	23.2	20	53375-0922		53375-0920	9
		22.4	20.7	17.5		53375-0821	53375-0820	8
		19.9	18.2	15		53375-0721	53375-0720	7
		17.4	15.7	12.5		53375-0621	53375-0620	6
↓	↓	14.9	13.2	10		53375-0521	53375-0520	5
1.25	I	12.4	10.7	7.5		53375-0421	53375-0420	4
1	I	9.9	8.2	5		53375-0321	53375-0320	3
—+—	0.65	7.4	5.7	2.5		53375-0221	53375-0220	2
E	D	C	B	A	53375-***22 COLOR : RED	53375-***21 COLOR : BLACK	53375-***20 COLOR : NATURAL (WHITE)	CKT.
MATERIAL No.								

REVISED EC NO: J2009-1423 DRWN:MTAKAZONO 2008/12/03 CHKD:HMATSUMOTO 2008/12/04 APPR:NUKITA 2008/12/04	GENERAL TOLERANCES (UNLESS SPECIFIED)		DIMENSION STYLE MM ONLY		SCALE 4:1	DESIGN UNITS METRIC	MODEL NO. 53375-***2*
	10 UNDER	±0.2	DRAWN BY K. TOJO	DATE 1993/05/14	TITLE 2.5 WIRE TO BOARD CONN. WAFER ASSY WITH KINK -LEAD FREE-		
	10 OVER 30 UNDER	±0.25	CHECKED BY K. ASAKAWA	DATE 2003/04/28	MOLEX INCORPORATED		
	30 OVER	±0.3	APPROVED BY T. YAMAGUCHI	DATE 2003/04/28	DOCUMENT NO. SD-53375-002	SHEET NO. 2 OF 2	
	ANGULAR ±3 °	MATERIAL NO. SEE TABLE		THIS DRAWING CONTAINS INFORMATION THAT IS PROPRIETARY TO MOLEX INCORPORATED AND SHOULD NOT BE USED WITHOUT WRITTEN PERMISSION			
	DRAFT WHERE APPLICABLE MUST REMAIN WITHIN DIMENSIONS						