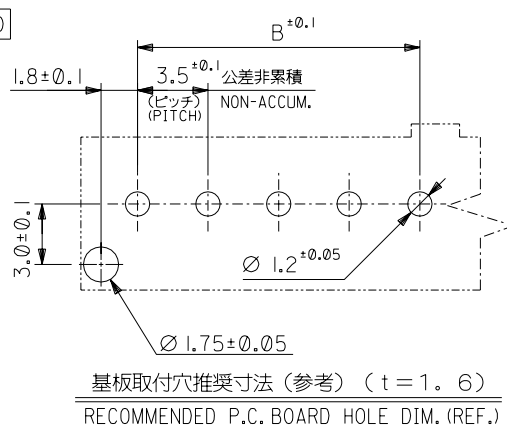
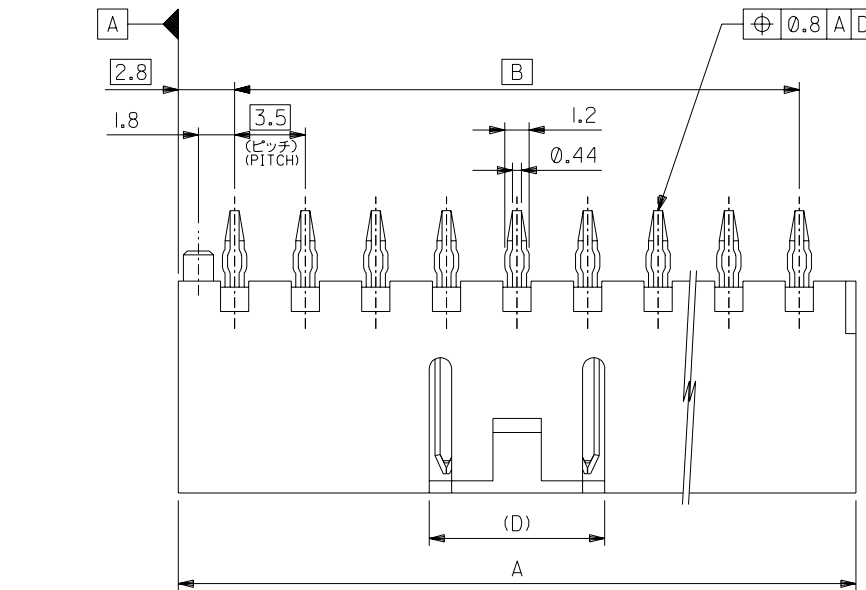
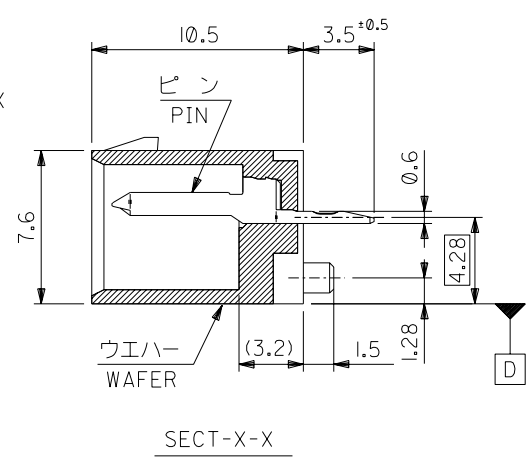
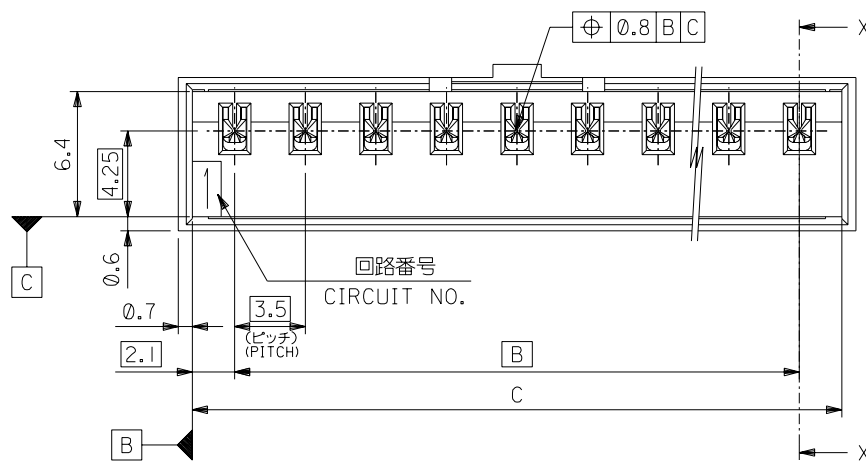


DWG. NO. SD-53258-004



- 注記 NOTES
1. 嵌合相手: 51067 シリーズ
MATE WITH: 51067 SERIES
 2. 材質 MATERIAL
ウエハー: PBTP (ガラス15%入り), UL94V-0
WAFER: PBTP (G.F 15%), UL94V-0
ピン: 黄銅, ニッケル下地 錫メッキ (t=0.254)
PIN: BRASS
TIN OVER NICKEL PLATING (t=0.254)
 3. 本製品は 53258-***40 の鉛フリー品である。
THIS PRODUCT IS LEAD FREE OF 53258-***40.



8.7	53.2	49.0	54.6	53258-1549	15
49.7	45.5	51.1		-1449	14
46.2	42.0	47.6		-1349	13
42.7	38.5	44.1		-1249	12
39.2	35.0	40.6		-1149	11
35.7	31.5	37.1		-1049	10
32.2	28.0	33.6		-0949	9
28.7	24.5	30.1		-0849	8
25.2	21.0	26.6		-0749	7
21.7	17.5	23.1		-0649	6
18.2	14.0	19.6		-0549	5
8.7	14.7	10.5	16.1	-0449	4
6.1	11.2	7.0	12.6	-0349	3
6.1	7.7	3.5	9.1	53258-0249	2
(D)	C	B	A	MATERIAL NO.	CKT. 極数

DO NOT SCALE DRAWING

64 NO. DRWN: CH'K: APPR: 63 NO. DRWN: CH'K: APPR: 62 NO. DRWN: CH'K: APPR: 61 NO. DRWN: CH'K: APPR:	RELEASED '04/04/22 60 NO. 12004-3953 DRWN: T.UENO CH'K: M.SASAO APPR: M.SASAO	MATERIAL 材料 注記参照 SEE NOTES FINISH 仕上げ 注記参照 SEE NOTES	GENERAL TOLERANCES: (UNLESS SPECIFIED) 一般公差 10 UNDER 未満 ±0.2 10 OVER 以上 30 UNDER 未満 ±0.25 30 OVER 以上 ±0.3 ANGLE 角度 ±3°	MODEL NO. 53258-***49	DIMENSIONS: <input type="checkbox"/> mm <input type="checkbox"/> INCH <input checked="" type="checkbox"/> mm ONLY	SHT 1 OF 1 REV
				SCALE 4:1 DESIGN UNITS <input checked="" type="checkbox"/> mm <input type="checkbox"/> INCH PROJECTION 2RD ANGLE	DRAWN BY & DATE T.UENO '04/04/22 CHECKED BY & DATE M.SASAO '04/04/22 APPROVED BY & DATE M.SASAO '04/04/22	TITLE: 3.5 W-To-B Conn WAFER Assy (ST.) WITH BOSS -LEAD FREE- MOLEX MOLEX INCORPORATED