

PLEASE CHECK WWW.MOLEX.COM FOR LATEST PART INFORMATION

Part Number: [0528921833](#)
Status: **Active**
Overview: [FFC-FPC \(SMT\)](#)
Description: 0.50mm Pitch Easy-On FFC/FPC Connector, Right-Angle, Surface Mount, ZIF, Bottom Contact Style, Cable Retention Guide, 18 Circuits

Documents:

[3D Model](#) [Packaging Specification SPK-52892-001-001 \(PDF\)](#)
[Drawing \(PDF\)](#) [RoHS Certificate of Compliance \(PDF\)](#)
[Product Specification PS-52892-040-001 \(PDF\)](#)

General

Product Family FFC/FPC Connectors
 Series [52892](#)
 Comments Hinge, Cable Guide, Hinge, Cable Guide
 Overview [FFC-FPC \(SMT\)](#)
 Product Name Easy-On
 UPC 887191274126

Physical

Actuator Type Flip
 Circuits (Loaded) 18
 Color - Resin Natural
 Contact Position Bottom
 Durability (mating cycles max) 20
 Mated Height 2.00mm
 Material - Metal Phosphor Bronze
 Material - Plating Mating Tin-Silver-Bismuth
 Material - Plating Termination Tin-Silver-Bismuth
 Material - Resin Nylon
 Net Weight 205.312/mg
 Number of Rows 1
 Orientation Right Angle
 PC Tail Length 2.00mm
 PCB Locator No
 PCB Mounting Surface Mount
 PCB Retention Yes
 Packaging Type Embossed Tape on Reel
 Pitch - Mating Interface 0.50mm
 Pitch - Termination Interface 0.50mm
 Polarized to PCB No
 Stackable No
 Surface Mount Compatible (SMC) N/A
 Temperature Range - Operating -40° to +85°C
 Wire/Cable Type FFC/FPC

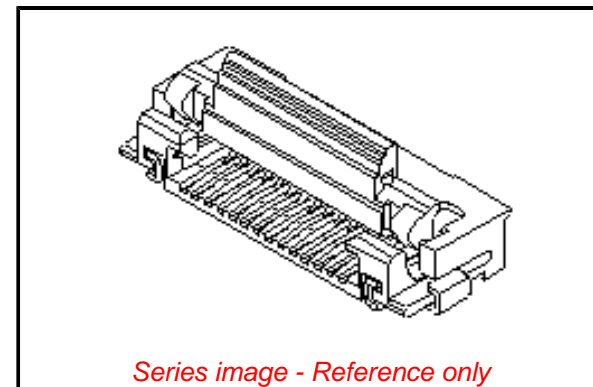
Electrical

Current - Maximum per Contact 0.5A
 Voltage - Maximum 50V

Material Info

Reference - Drawing Numbers

Package Specification SPK-52892-001-001
 Product Specification PS-52892-040-001
 Sales Drawing SD-52892-044, SD-52892-045



Series image - Reference only

EU ELV

Not Relevant

EU RoHS

Compliant

REACH SVHC

Not Contained Per
 -ED/88/2018 (15
 January 2019)

Halogen-Free

Status

Not Low-Halogen

For more information, please visit [Contact US](#)

China ROHS

ELV

RoHS Phthalates

China RoHS

Green Image

Not Relevant

Not Contained

Search Parts in this Series

[52892 Series](#)

This document was generated on 03/28/2019

PLEASE CHECK WWW.MOLEX.COM FOR LATEST PART INFORMATION