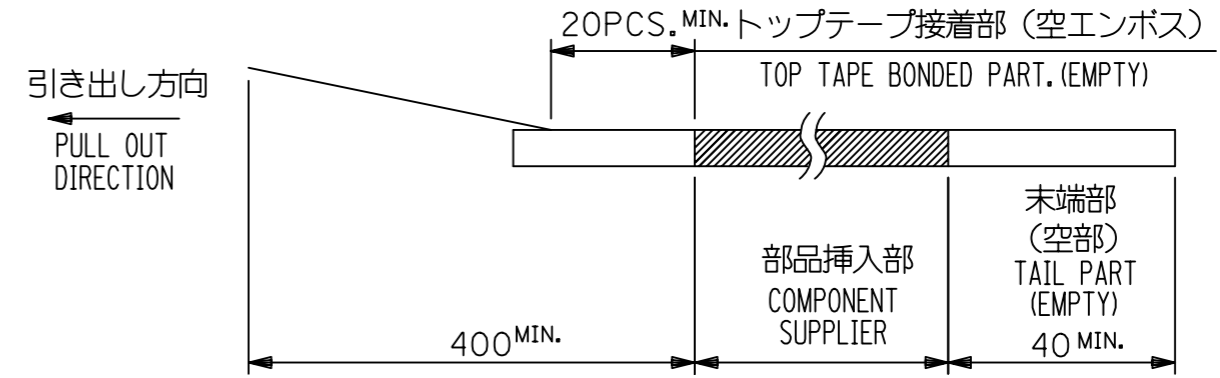


**NOTE**

1.52610-\*\*23のアクチュエータはハウジング内に押し下げた状態とする。  
 詳細寸法については図面 526101002 PSD 000 を参照下さい。  
 ACTUATOR OF PART NO. 52610-\*\*23 SHOULD BE LOCKED.  
 RE DETAILED DIMENSIONS, SEE 526101002 PSD 000.

2.梱包数量 : 1000個/リール  
 NUMBER OF CONNECTORS : 1000 PCS/REEL

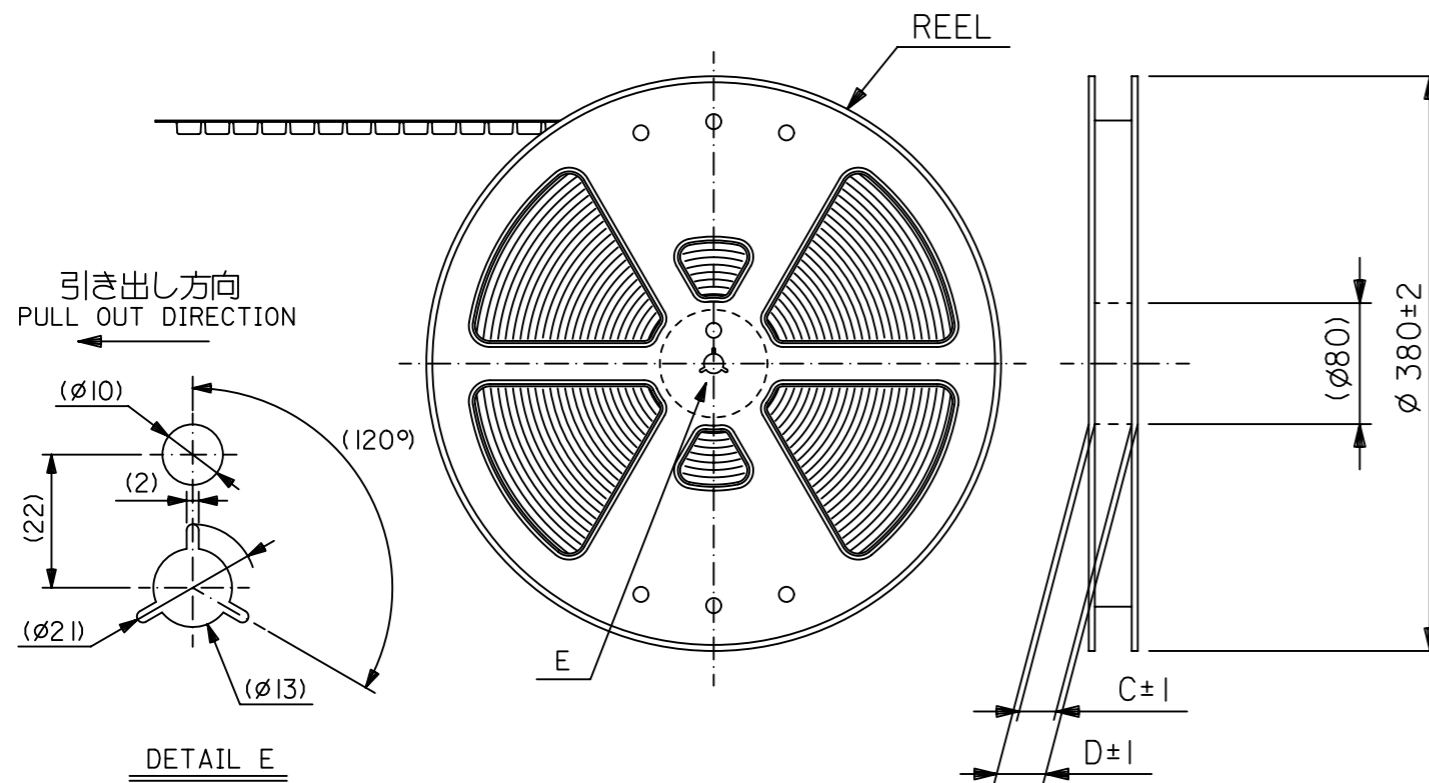
3.リードテープ長さ LEAD TAPE LENGTH



4.カバーテープの剥離強度については、IEC60286-3に準拠。  
 COVER TAPE PEEL FORCE IS DEFINED BY IEC60286-3.

5.材料 MATERIAL  
 キャリアテープ : ポリプロピレン  
 トップテープ : PET, PE, PEF  
 リール : ポリスチレン <リサイクル材を含む>  
 CARRIER TAPE : POLYPROPYLENE  
 TOP TAPE : PET, PE, PEF  
 REEL : POLYSTYRENE (PS) < RECYCLE MATERIAL CONTAINED >

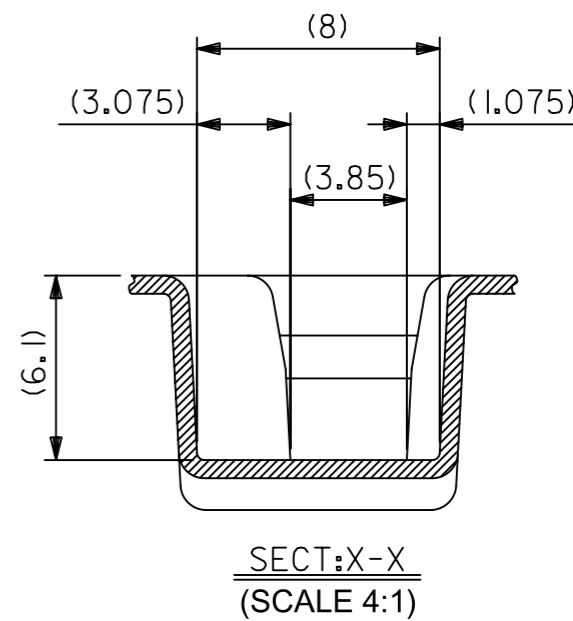
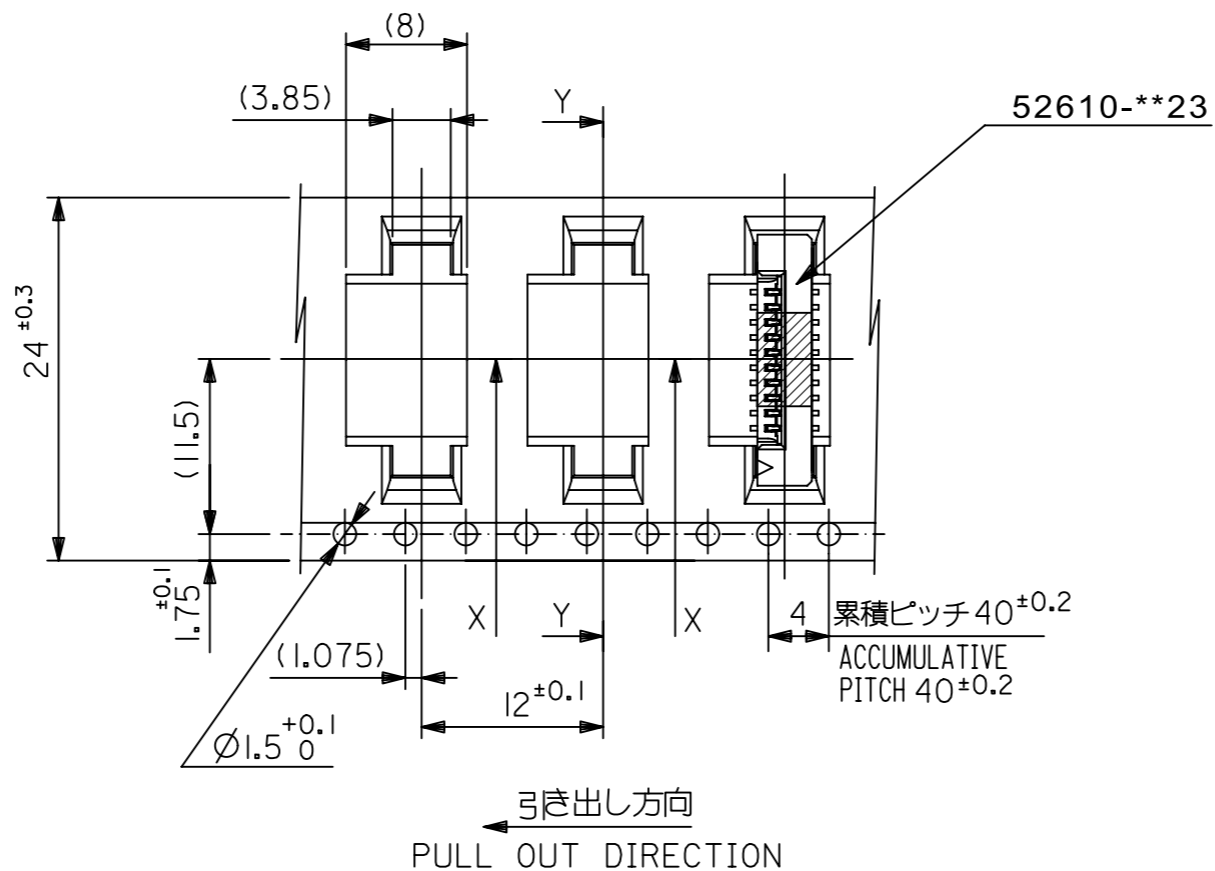
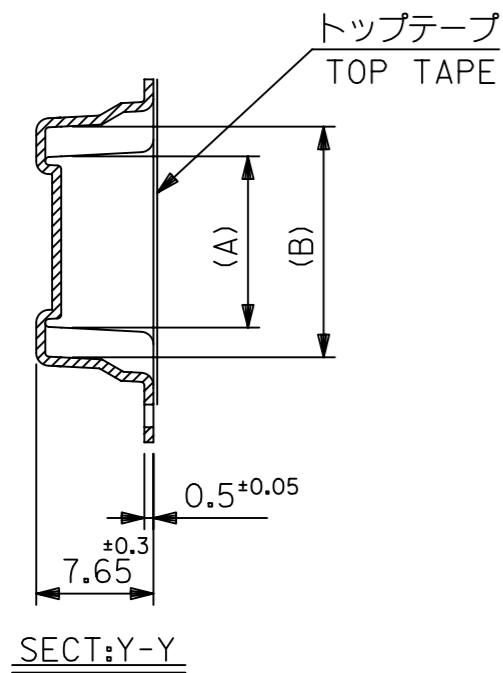
6.ELV及びRoHS適合品。  
 ELV AND RoHS COMPLIANT.



MODEL NO. 52610-\*\*34

THIS DRAWING CONTAINS INFORMATION THAT IS PROPRIETARY TO MOLEX ELECTRONIC TECHNOLOGIES, LLC AND SHOULD NOT BE USED WITHOUT WRITTEN PERMISSION											
EC NO: 106044 DRWN: YMIZUNO02 CHK'D: TKUSUHARA01 APPR: TKUSUHARA01 2016/12/16 2016/12/28 2016/12/28	GENERAL TOLERANCES (UNLESS SPECIFIED)				DIMENSION UNITS	SCALE					
	ANGULAR TOL $\pm 3.0^\circ$				mm	---					
	4 PLACES $\pm 0.2$				DRWN BY	DATE	1.0 FPC CONN ZIF ASSY SMT ST EMBSTP PKG				
	3 PLACES $\pm 0.2$				YMIZUNO02	2016/12/16					
	2 PLACES $\pm 0.2$				CHK'D BY	DATE					
1 PLACE $\pm 0.2$				YKOBAYASHI02		PRODUCT CUSTOMER DRAWING					
0 PLACES $\pm 0.2$				APPR BY	DATE						
DRAFT WHERE APPLICABLE MUST REMAIN WITHIN DIMENSIONS				TKUSUHARA01	2016/12/28	SERIES	MATERIAL NUMBER	CUSTOMER			
				DRAWING SIZE	THIRD ANGLE PROJECTION	52610	SEE CHART	GENERAL			
				A3		DOCUMENT NUMBER	DOC TYPE	DOC PART	SHEET NUMBER		
						526100002	PSD	000	1 OF 5		

GENERAL TOLERANCES (UNLESS SPECIFIED)	
10 UNDER	$\pm 0.2$
10 OVER 30 UNDER	$\pm 0.25$
30 OVER	$\pm 0.3$



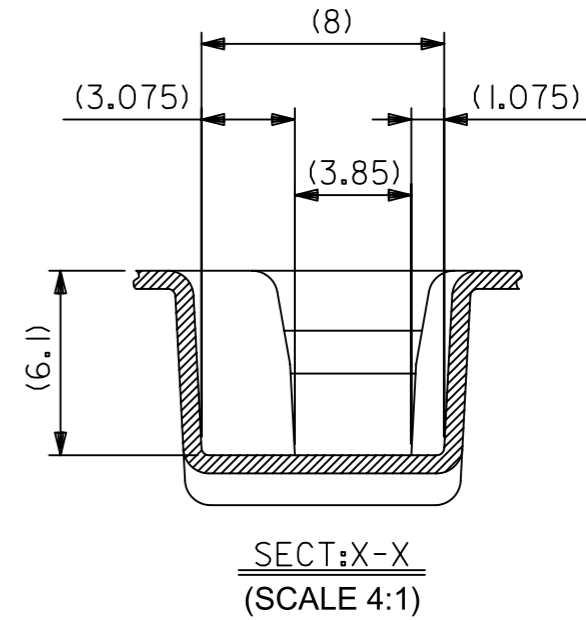
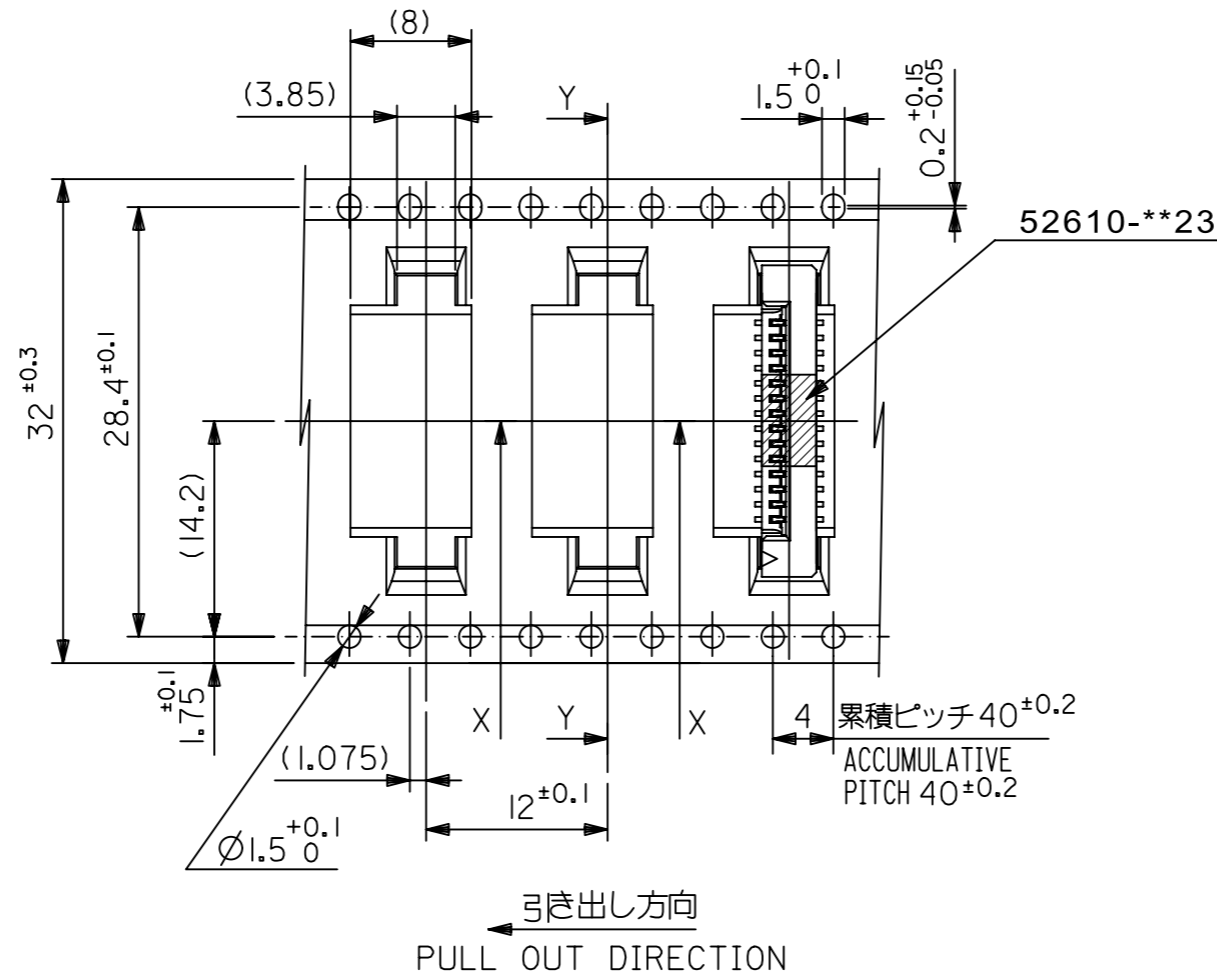
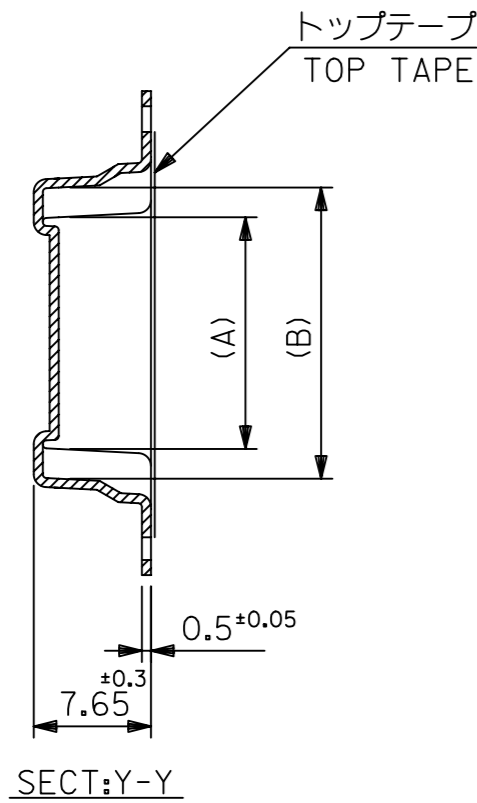
24	29.4	25.4	15.25	11.32	52610-1034	10		
			14.25	10.32	52610-0934	9		
			13.25	9.32	52610-0834	8		
			12.25	8.32	52610-0734	7		
			11.25	7.32	52610-0634	6		
キャリアテープ幅 CARRIER TAPE WIDTH			D	C	(B)	(A)	MATERIAL NO.	極数 CKT

THIS DRAWING CONTAINS INFORMATION THAT IS PROPRIETARY TO MOLEX ELECTRONIC TECHNOLOGIES, LLC AND SHOULD NOT BE USED WITHOUT WRITTEN PERMISSION

GENERAL TOLERANCES (UNLESS SPECIFIED)	
10 UNDER	±0.2
10 OVER 30 UNDER	±0.25
30 OVER	±0.3

EC NO: 106044 DRWN: YMIZUNO02 CHK'D: TKUSUHARA01 APPR: TKUSUHARA01 2016/12/16 2016/12/28 2016/12/28 RELEASED	GENERAL TOLERANCES (UNLESS SPECIFIED)		DIMENSION UNITS	SCALE
	ANGULAR TOL ± 3.0 °		mm	---
	4 PLACES ± 0.2	3 PLACES ± 0.2	DRWN BY	DATE
	2 PLACES ± 0.2	1 PLACE ± 0.2	YMIZUNO02	2016/12/16
	0 PLACES ± 0.2		CHK'D BY	DATE
			YKOBAYASHI02	
		APPR BY	DATE	
		TKUSUHARA01	2016/12/28	
DRAFT WHERE APPLICABLE MUST REMAIN WITHIN DIMENSIONS		DRAWING SIZE	THIRD ANGLE PROJECTION	
		A3		

<b>molex</b> <sup>®</sup>			
1.0 FPC CONN ZIF ASSY SMT ST EMBSTP PKG			
PRODUCT CUSTOMER DRAWING			
SERIES	MATERIAL NUMBER	CUSTOMER	
52610	SEE CHART	GENERAL	
DOCUMENT NUMBER		DOC TYPE	DOC PART SHEET NUMBER
526100002		PSD	000 2 OF 5



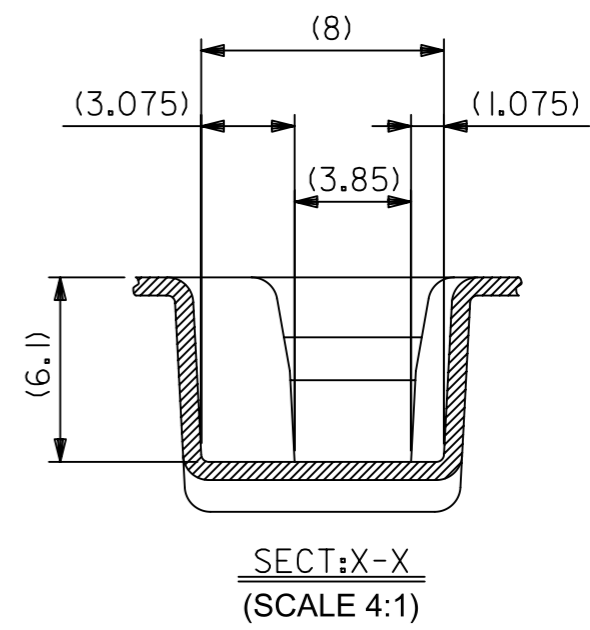
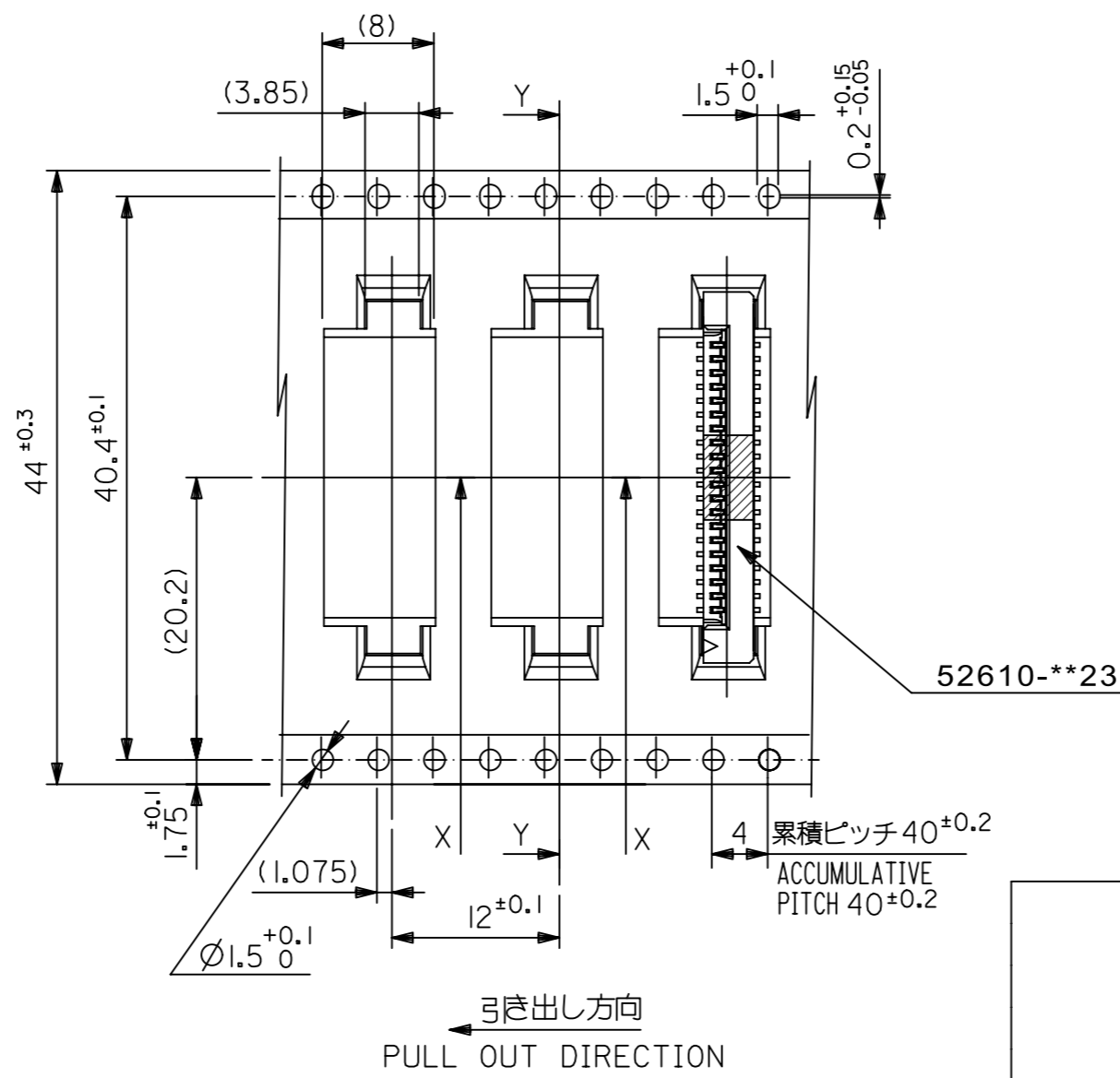
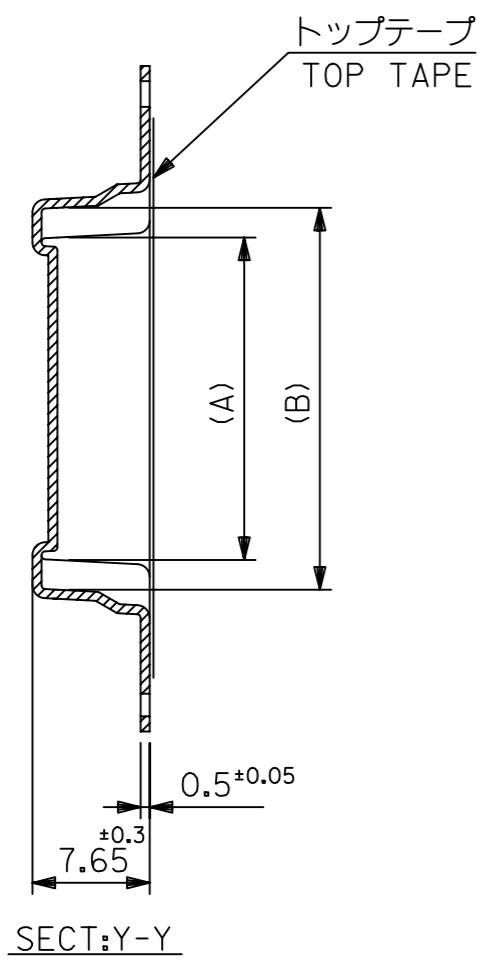
32	37.4	33.4	20.25	16.32	52610-1534	15	
			19.25	15.32	52610-1434	14	
			18.25	14.32	52610-1334	13	
			17.25	13.32	52610-1234	12	
			16.25	12.32	52610-1134	11	
キャリアテープ幅 CARRIER TAPE WIDTH		D	C	(B)	(A)	MATERIAL NO.	極数 CKT

THIS DRAWING CONTAINS INFORMATION THAT IS PROPRIETARY TO MOLEX ELECTRONIC TECHNOLOGIES, LLC AND SHOULD NOT BE USED WITHOUT WRITTEN PERMISSION

GENERAL TOLERANCES (UNLESS SPECIFIED)	
10 UNDER	±0.2
10 OVER 30 UNDER	±0.25
30 OVER	±0.3

EC NO: 106044 DRWN: YMIZUNO02 CHK'D: TKUSUHARA01 APPR: TKUSUHARA01 RELEASED 2016/12/16 2016/12/28 2016/12/28	GENERAL TOLERANCES (UNLESS SPECIFIED)		DIMENSION UNITS	SCALE
	ANGULAR TOL ± 3.0 °		mm	---
	4 PLACES ± 0.2	3 PLACES ± 0.2	DRWN BY	DATE
	2 PLACES ± 0.2	1 PLACE ± 0.2	YMIZUNO02	2016/12/16
	0 PLACES ± 0.2		CHK'D BY	DATE
			YKOBAYASHI02	
		APPR BY	DATE	
		TKUSUHARA01	2016/12/28	
DRAFT WHERE APPLICABLE MUST REMAIN WITHIN DIMENSIONS		DRAWING SIZE	THIRD ANGLE PROJECTION	
		A3		

<b>molex</b> <sup>®</sup>			
1.0 FPC CONN ZIF ASSY SMT ST EMBSTP PKG			
PRODUCT CUSTOMER DRAWING			
SERIES	MATERIAL NUMBER	CUSTOMER	
52610	SEE CHART	GENERAL	
DOCUMENT NUMBER		DOC TYPE	DOC PART SHEET NUMBER
526100002		PSD	000 3 OF 5



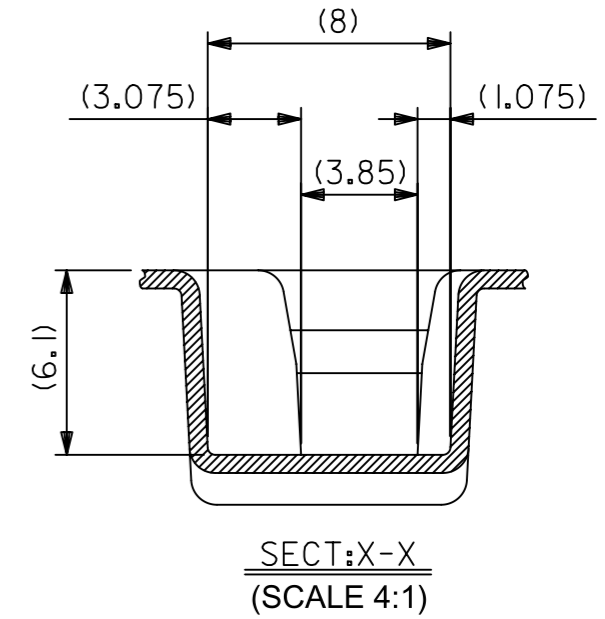
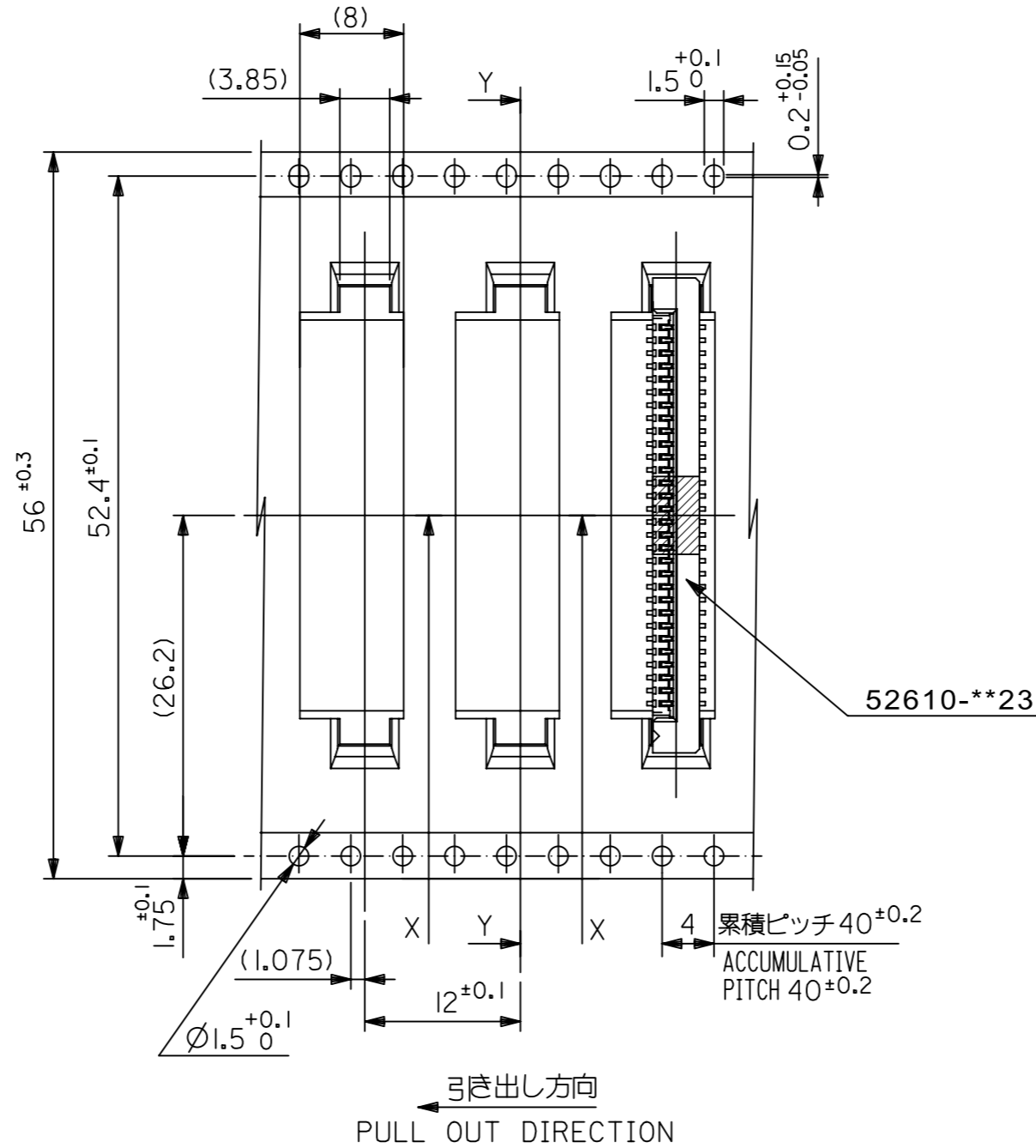
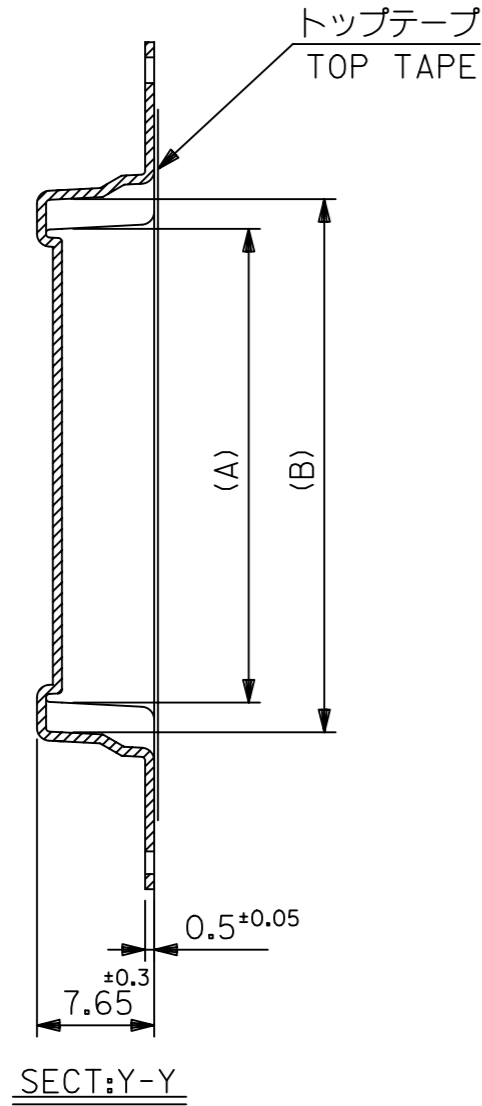
44	49.4	45.4	31.25	27.32	52610-2634	26		
			30.25	26.32	52610-2534	25		
			29.25	25.32	52610-2434	24		
			28.25	24.32	52610-2334	23		
			27.25	23.32	52610-2234	22		
			26.25	22.32	52610-2134	21		
			25.25	21.32	52610-2034	20		
			24.25	20.32	52610-1934	19		
			23.25	19.32	52610-1834	18		
			22.25	18.32	52610-1734	17		
21.25	17.32	52610-1634	16					
キャリアテープ幅 CARRIER TAPE WIDTH			D	C	(B)	(A)	MATERIAL NO.	極数 CKT

THIS DRAWING CONTAINS INFORMATION THAT IS PROPRIETARY TO MOLEX ELECTRONIC TECHNOLOGIES, LLC AND SHOULD NOT BE USED WITHOUT WRITTEN PERMISSION

GENERAL TOLERANCES (UNLESS SPECIFIED)	
10 UNDER	±0.2
10 OVER 30 UNDER	±0.25
30 OVER	±0.3

EC NO: 106044 DRWN: YMIZUNO02 CHK'D: TKUSUHARA01 APPR: TKUSUHARA01 2016/12/16 2016/12/28 2016/12/28 RELEASED	GENERAL TOLERANCES (UNLESS SPECIFIED)		DIMENSION UNITS	SCALE
	ANGULAR TOL ± 3.0 °		mm	---
	4 PLACES ± 0.2	3 PLACES ± 0.2	DRWN BY	DATE
	2 PLACES ± 0.2	1 PLACE ± 0.2	YMIZUNO02	2016/12/16
	0 PLACES ± 0.2		CHK'D BY	DATE
			YKOBAYASHI02	
		APPR BY	DATE	
		TKUSUHARA01	2016/12/28	
DRAFT WHERE APPLICABLE MUST REMAIN WITHIN DIMENSIONS		DRAWING SIZE	THIRD ANGLE PROJECTION	
		A3		

<b>molex</b>			
1.0 FPC CONN ZIF ASSY SMT ST EMBSTP PKG			
PRODUCT CUSTOMER DRAWING			
SERIES	MATERIAL NUMBER	CUSTOMER	
52610	SEE CHART	GENERAL	
DOCUMENT NUMBER		DOC TYPE	DOC PART SHEET NUMBER
526100002		PSD	000 4 OF 5

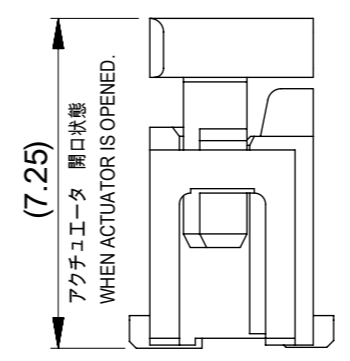
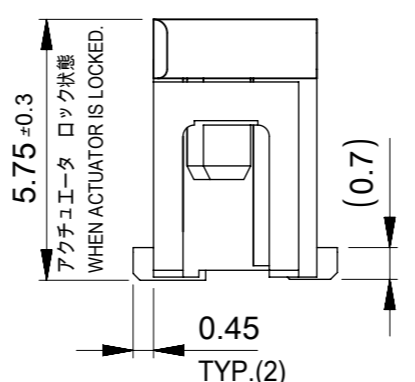
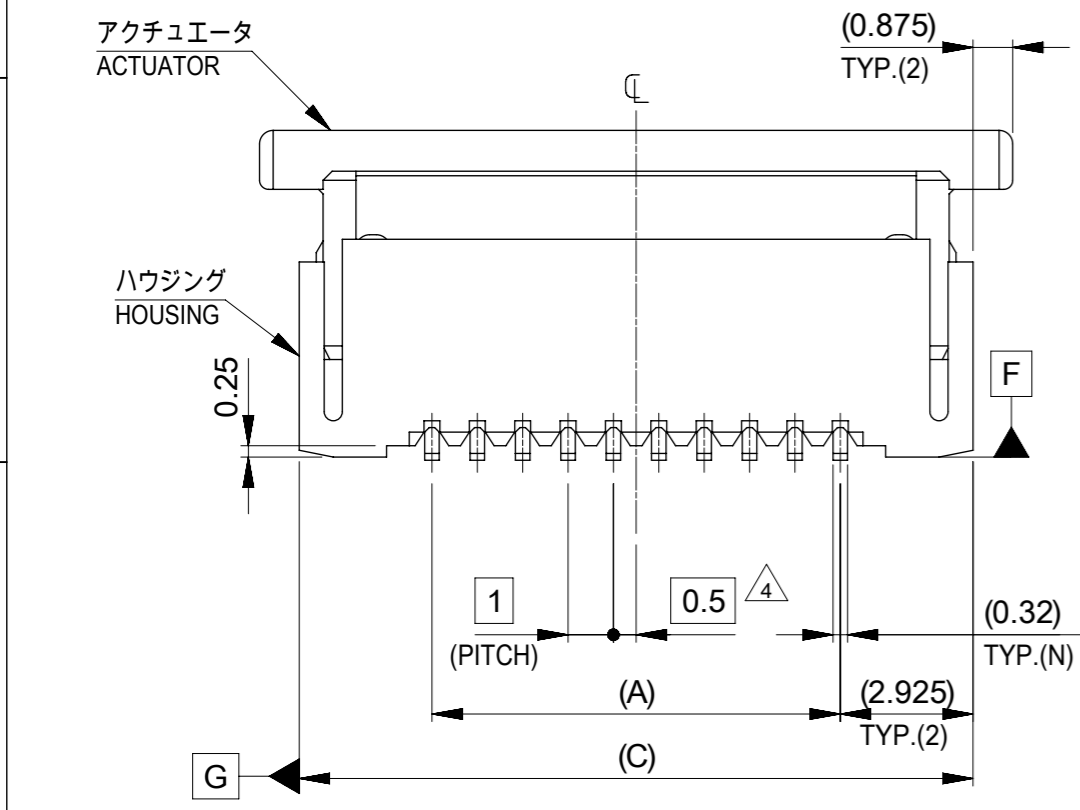
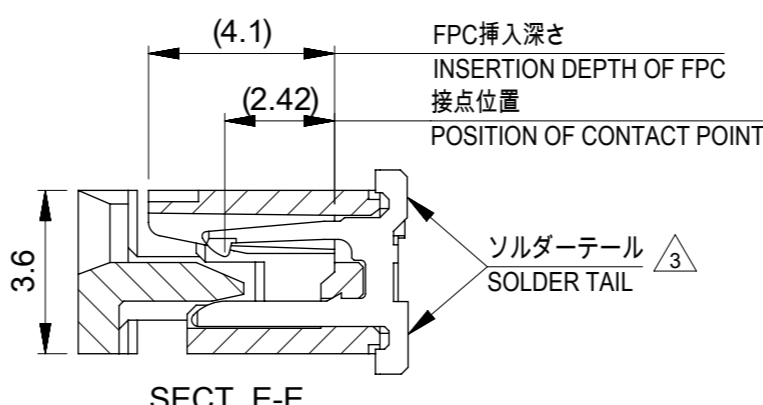
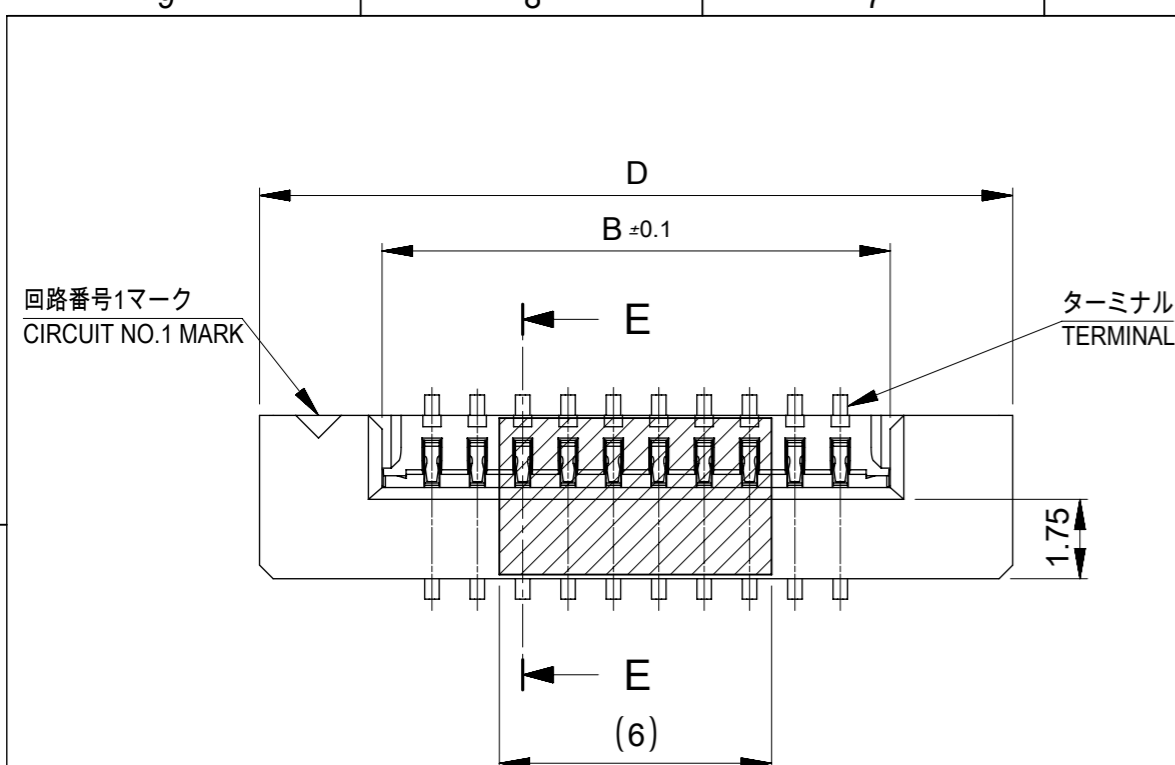


56	61.4	57.4	35.25	31.32	52610-3034	30
			33.25	29.32	52610-2834	28
キャリアテープ幅 CARRIER TAPE WIDTH	D	C	(B)	(A)	MATERIAL NO.	極数 CKT

THIS DRAWING CONTAINS INFORMATION THAT IS PROPRIETARY TO MOLEX ELECTRONIC TECHNOLOGIES, LLC AND SHOULD NOT BE USED WITHOUT WRITTEN PERMISSION

EC NO: 106044 DRWN: YMIZUNO02 CHK'D: TKUSUHARA01 APPR: TKUSUHARA01	2016/12/16 2016/12/28 2016/12/28	GENERAL TOLERANCES (UNLESS SPECIFIED) ANGULAR TOL ± 3.0 °	DIMENSION UNITS: mm SCALE: ---	
	4 PLACES ± 0.2 3 PLACES ± 0.2 2 PLACES ± 0.2 1 PLACE ± 0.2 0 PLACES ± 0.2	DRWN BY: YMIZUNO02 DATE: 2016/12/16	PRODUCT CUSTOMER DRAWING	
	DRAFT WHERE APPLICABLE MUST REMAIN WITHIN DIMENSIONS	CHK'D BY: YKOBAYASHI02 DATE:	SERIES: 52610 MATERIAL NUMBER: SEE CHART CUSTOMER: GENERAL	
	APPR BY: TKUSUHARA01 DATE: 2016/12/28	DRAWING SIZE: A3 THIRD ANGLE PROJECTION	DOCUMENT NUMBER: 526100002 DOC TYPE: PSD DOC PART: 000 SHEET NUMBER: 5 OF 5	

GENERAL TOLERANCES (UNLESS SPECIFIED)	
10 UNDER	±0.2
10 OVER 30 UNDER	±0.25
30 OVER	±0.3



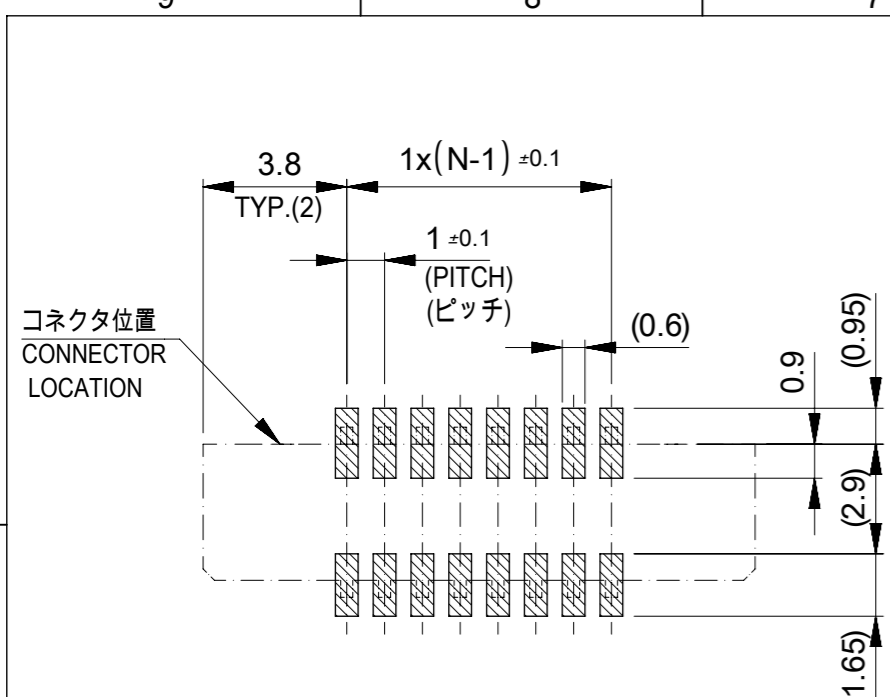
36.6	34.85	31.2	29	52610-3034	30
34.6	32.85	29.2	27	52610-2834	28
32.6	30.85	27.2	25	52610-2634	26
31.6	29.85	26.2	24	52610-2534	25
30.6	28.85	25.2	23	52610-2434	24
29.6	27.85	24.2	22	52610-2334	23
28.6	26.85	23.2	21	52610-2234	22
27.6	25.85	22.2	20	52610-2134	21
26.6	24.85	21.2	19	52610-2034	20
25.6	23.85	20.2	18	52610-1934	19
24.6	22.85	19.2	17	52610-1834	18
23.6	21.85	18.2	16	52610-1734	17
22.6	20.85	17.2	15	52610-1634	16
21.6	19.85	16.2	14	52610-1534	15
20.6	18.85	15.2	13	52610-1434	14
19.6	17.85	14.2	12	52610-1334	13
18.6	16.85	13.2	11	52610-1234	12
17.6	15.85	12.2	10	52610-1134	11
16.6	14.85	11.2	9	52610-1034	10
15.6	13.85	10.2	8	52610-0934	9
14.6	12.85	9.2	7	52610-0834	8
13.6	11.85	8.2	6	52610-0734	7
12.6	10.85	7.2	5	52610-0634	6

D (C) B (A) EMBOSSED PACKAGE ORDER NO. オーダー番号 極数 CKT  
**CONNECTOR SERIES NO. : 52610-\*\*23**

THIS DRAWING CONTAINS INFORMATION THAT IS PROPRIETARY TO MOLEX ELECTRONIC TECHNOLOGIES, LLC AND SHOULD NOT BE USED WITHOUT WRITTEN PERMISSION

DIMENSION UNITS: mm	SCALE: ---	CURRENT REV DESC: REVISED		<b>molex</b>		
GENERAL TOLERANCES (UNLESS SPECIFIED)		EC NO: 600129				
ANGULAR TOL ± 3.0°		DRWN: YCHEN128 2018/04/11		PRODUCT CUSTOMER DRAWING		
4 PLACES ± 0.03		CHK'D: KTAKAHASHI 2018/04/12		DOCUMENT NUMBER: 526101002		
3 PLACES ± 0.03		APPR: NUKITA 2018/04/13		DOC TYPE: PSD		
2 PLACES ± 0.05		INITIAL REVISION:		DOC PART: 000		
1 PLACE ± 0.1		DRWN: YMIZUNO02 2016/12/16		REVISION: B		
0 PLACES ± 0.2		APPR: TKUSUHARA01 2016/12/28		SHEET NUMBER: 1 OF 2		
DRAFT WHERE APPLICABLE MUST REMAIN WITHIN DIMENSIONS		THIRD ANGLE PROJECTION	DRAWING: A3-SIZE	SERIES: 52610	MATERIAL NUMBER: SEE TABLE	CUSTOMER: GENERAL

GENERAL TOLERANCES (UNLESS SPECIFIED)		
10 UNDER		±0.2
10 OVER 30 UNDER		±0.25
30 OVER		±0.3

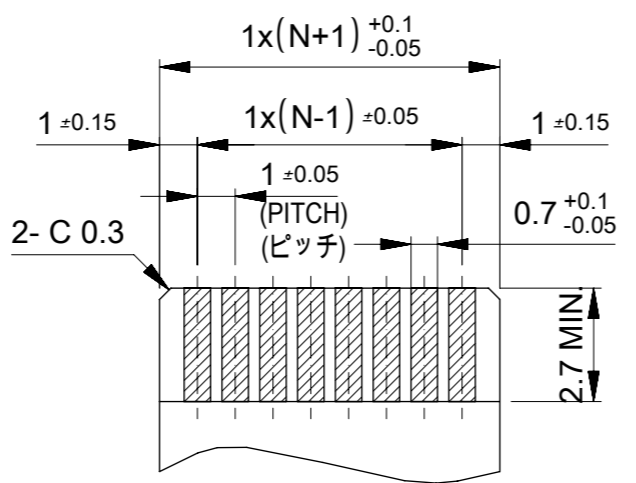


参考基盤レイアウト  
RECOMMENDED P.C.BOARD  
PATTERN LAYOUT (REFERENCE)

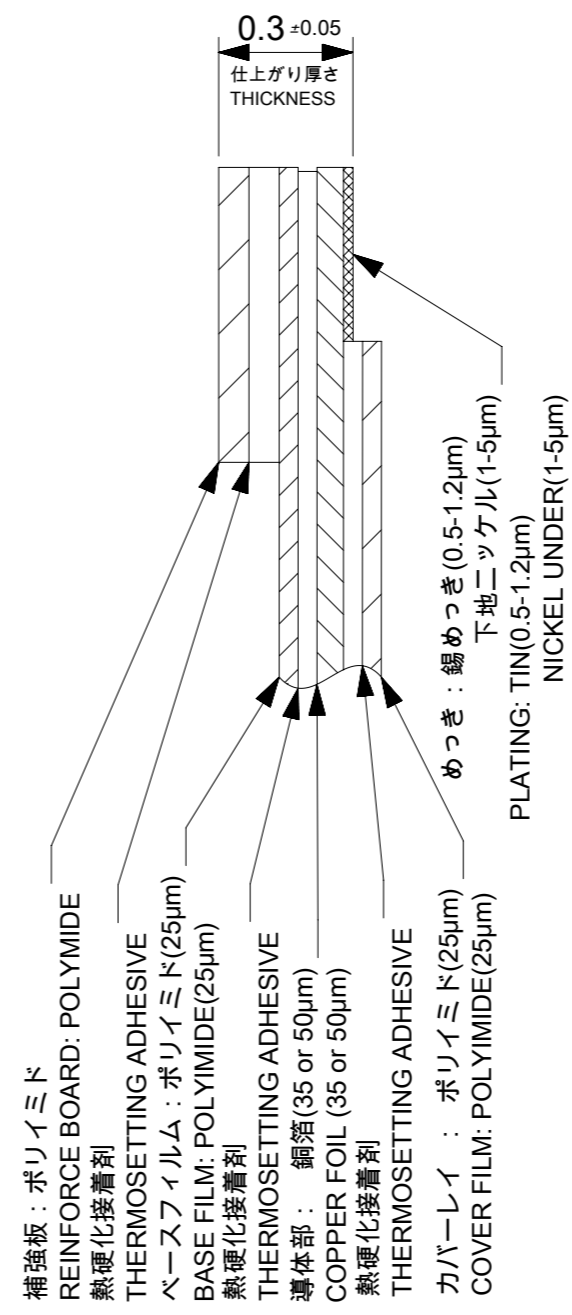
マスク厚 : 120µm  
マスク開口率 : 100%  
SCREEN THICKNESS : 120 MICROMETER  
SCREEN OPEN RATIO : 100%

注記(NOTES):

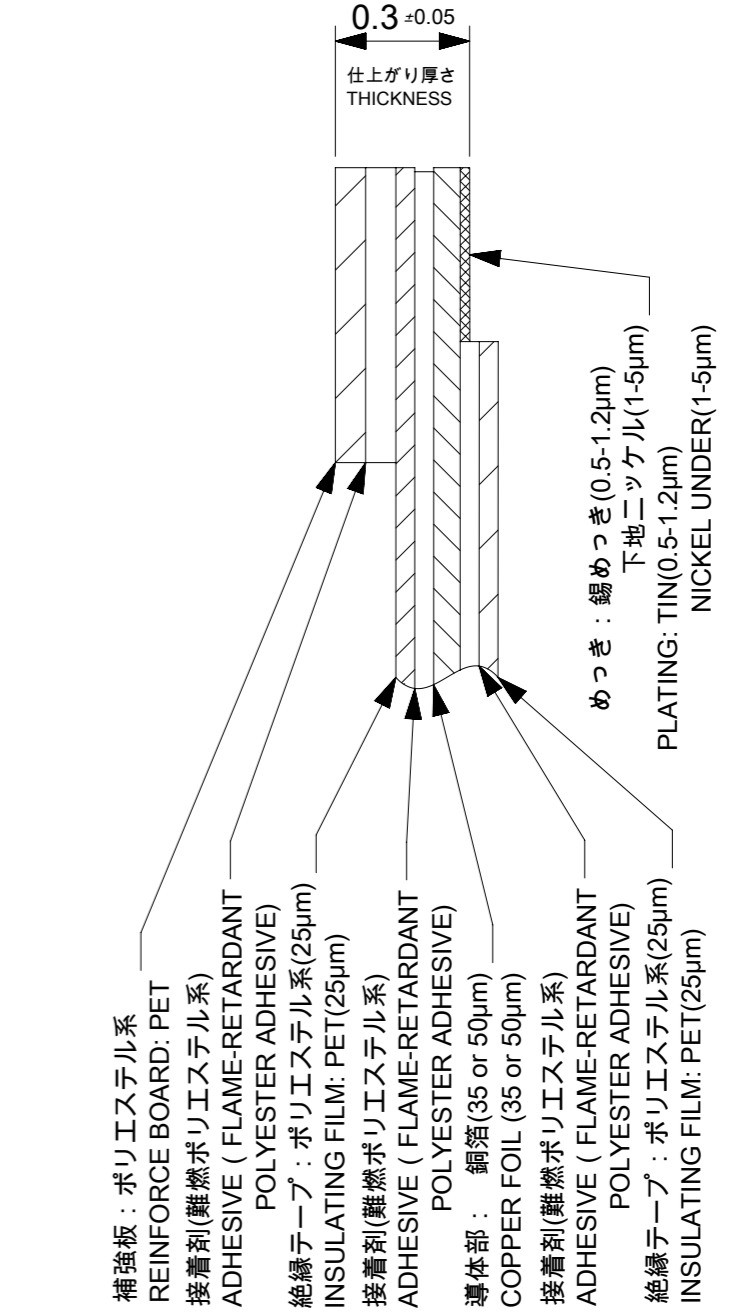
- 材質 MATERIAL
    - ハウジング : ポリアミド(PA)、ナチュラル(白色)、ガラス充填、UL94V-0
    - アクチュエータ : ポリフェニレンサルファイド(PPS)、ナチュラル(茶色)、ガラス充填、UL94V-0
    - ターミナル : リン青銅(t=0.32)
    - HOUSING : POLYAMIDE, NATURAL(WHITE), GLASS FILLED, UL94V-0
    - ACTUATOR : POLYPHENYLENE SULFID, NATURAL(BROWN), GLASS FILLED, UL94V-0
    - TERMINAL : PHOSPHOR BRONZE(t=0.32)
  - めっき仕様 PLATING
    - ターミナル TERMINAL
      - 錫銀ビスマスめっき(1.0µm以上)
      - 下地 : ニッケルめっき(1.0µm以上)
      - TIN SILVER BISMUTH PLATING (1.0 MICROMETER MINIMUM)
      - UNDER PLATE : NICKEL PLATING (1.0 MICROMETER MINIMUM)
3. ソルダータール半田付け面のズレ量は、基準面 **F** に対し  
上方向0.05MAX.、下方向0.15MAX.とする。  
MISALIGNMENT OF SOLDER TAILS FROM **F** UPPER DIRECTION : 0.05 MAX.  
LOWER DIRECTION : 0.15 MAX.
4. 偶数極に適用。  
APPLY FOR EVEN CIRCUIT.
5. R0.3はFPCの導体部にかからないこと。  
R0.3 MUST NOT BE OVERLAPED TO PATTERN OF FPC.
6. インボステーブ梱包時は、アクチュエータがロックした状態とする。  
IN THE PACKAGE, ACTUATOR SHOULD BE LOCKED.
7. ソルダータールの平坦度は0.1 mm以下とする。  
SOLDERTAIL COPLANARITY IS 0.1MM MAXIMUM.
8. ELV及びRoHS適合品。  
ELV AND RoHS COMPLIANT.



適合FPC/FFC推奨寸法  
APPLICABLE FPC/FFC  
RECOMMENDED DIMENSION  
(仕上がり厚さ : 0.3±0.05)  
(THICKNESS : 0.3±0.05)



FPC構成推奨仕様  
RECOMMENDED STRUCTURE OF FPC



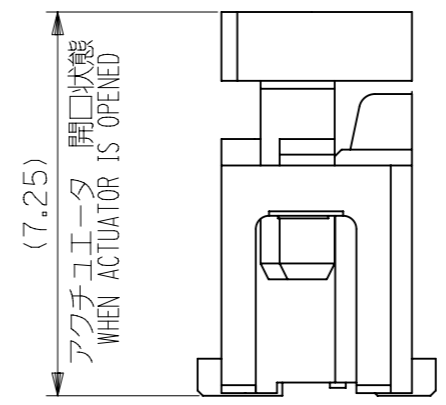
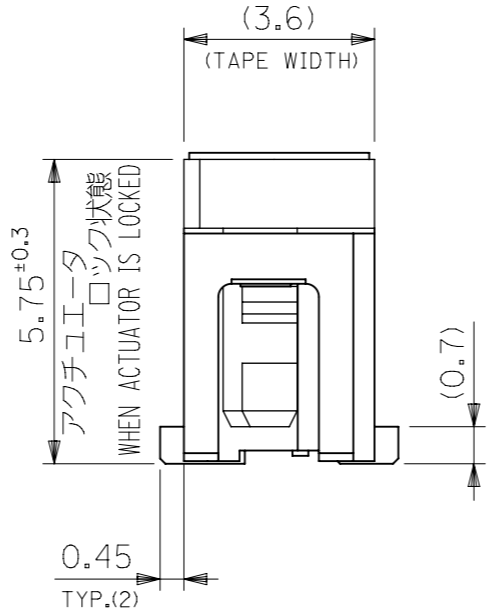
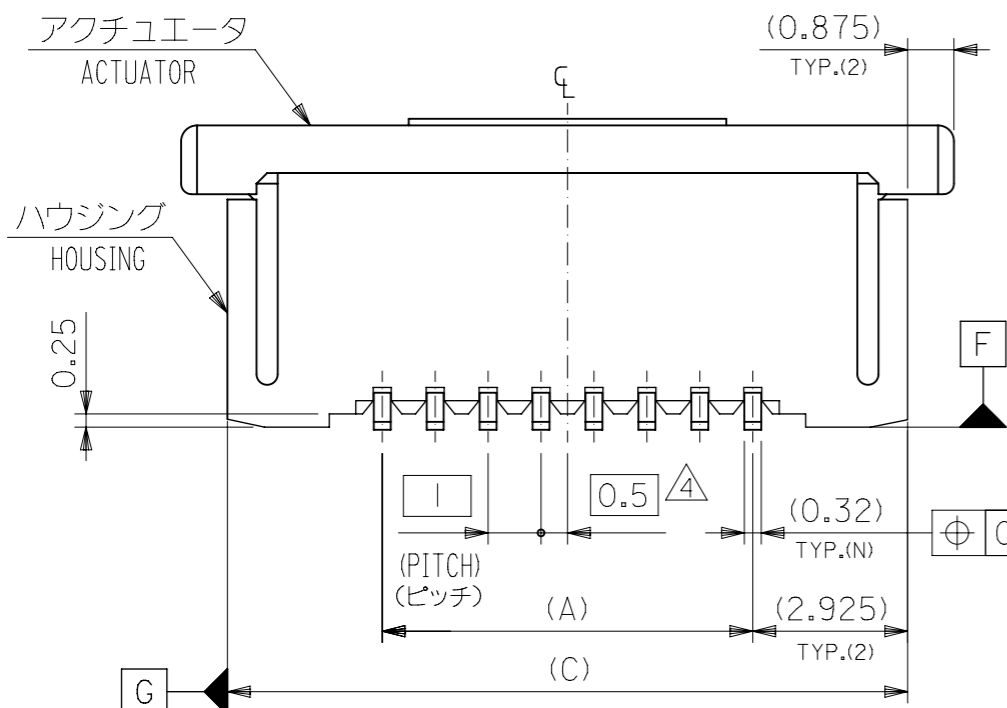
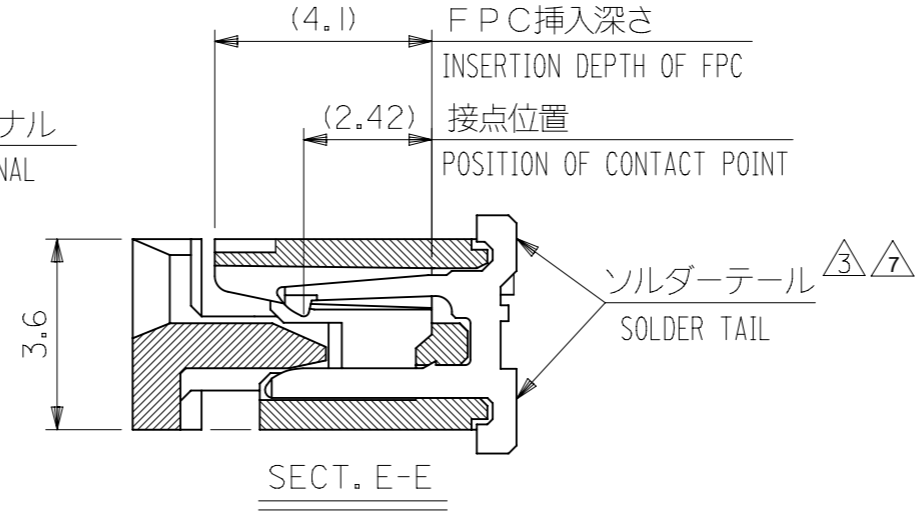
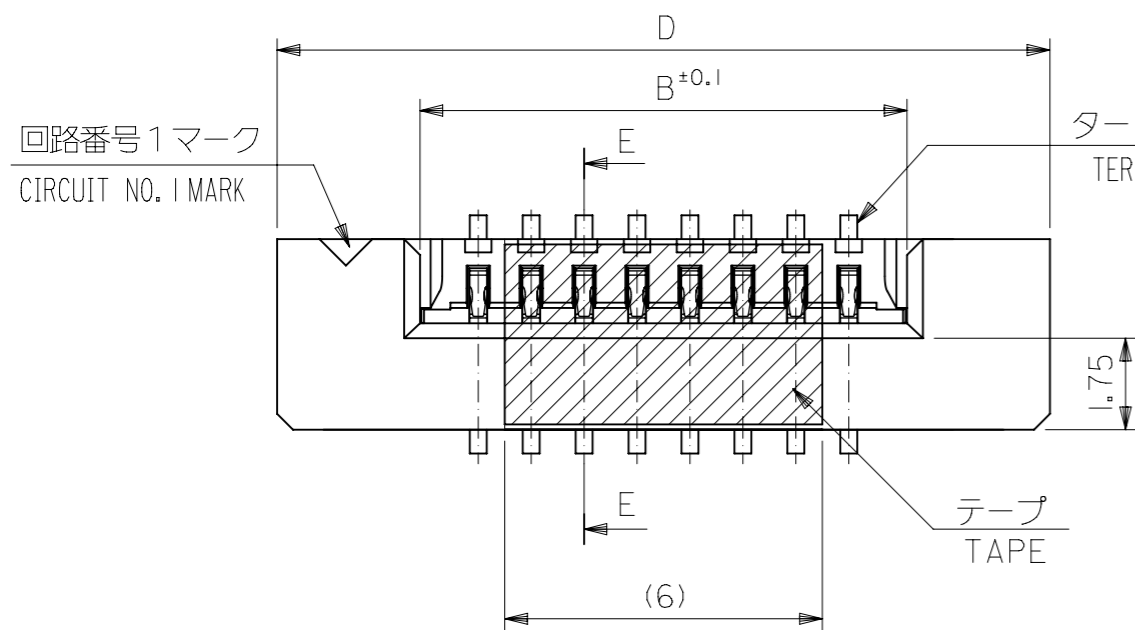
FFC構成推奨仕様  
RECOMMENDED STRUCTURE OF FFC

FPC/FFCについて：  
抜き方向は、導体側から補強板側を推奨致します。  
尚、接着剤の接点部への付着は導通不良の原因になりますので、  
染み出しが無い様お願い致します。

ABOUT FPC/FFC:  
RECOMMENDED PUNCHER DIRECTION:  
FROM CONDUCTOR SIDE TO STIFFNER SIDE  
PLEASE PUT APPROPRIATE AMOUNT OF ADHESIVE ON ADHEREND  
BECAUSE THERE IS A POSSIBILITY THAT THE EXTRA ADHESIVE  
CAUSES THE DEFECT IN ELECTRICAL CONTINUITY.

GENERAL TOLERANCES (UNLESS SPECIFIED)		
10 UNDER	±0.2	
10 OVER 30 UNDER	±0.25	
30 OVER	±0.3	

THIS DRAWING CONTAINS INFORMATION THAT IS PROPRIETARY TO MOLEX ELECTRONIC TECHNOLOGIES, LLC AND SHOULD NOT BE USED WITHOUT WRITTEN PERMISSION		CURRENT REV DESC: REVISED		<b>molex</b>	
DIMENSION UNITS	SCALE				
mm	---			1.0 FPC CONN ZIF S/T HOUSING ASSY	
GENERAL TOLERANCES (UNLESS SPECIFIED)				PRODUCT CUSTOMER DRAWING	
ANGULAR TOL	± 3.0°	EC NO:	600129	DOCUMENT NUMBER	
4 PLACES	± 0.03	DRWN:	YCHEN128 2018/04/11	526101002	
3 PLACES	± 0.03	CHK'D:	KTAKAHASHI 2018/04/12	DOC TYPE	DOC PART
2 PLACES	± 0.05	APPR:	NUKITA 2018/04/13	PSD	000
1 PLACE	± 0.1	INITIAL REVISION:		REVISION	
0 PLACES	± 0.2	DRWN:	YMIZUNO02 2016/12/16	B	
DRAFT WHERE APPLICABLE MUST REMAIN WITHIN DIMENSIONS		APPR:	TKUSUHARA01 2016/12/28	SHEET NUMBER	
THIRD ANGLE PROJECTION		DRAWING	SERIES	MATERIAL NUMBER	CUSTOMER
A3-SIZE		52610	SEE TABLE	GENERAL	



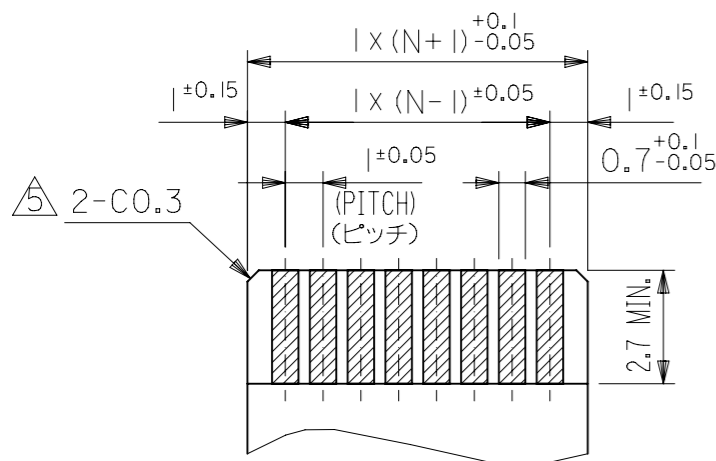
36.6	34.85	31.2	29	52610-30	34	30
34.6	32.85	29.2	27	-28	34	28
32.6	30.85	27.2	25	-26	34	26
31.6	29.85	26.2	24	-25	34	25
30.6	28.85	25.2	23	-24	34	24
26.6	24.85	21.2	19	-20	34	20
25.6	23.85	20.2	18	-19	34	19
22.6	20.85	17.2	15	-16	34	16
20.6	18.85	15.2	13	-14	34	14
16.6	14.85	11.2	9	-10	34	10
15.6	13.85	10.2	8	-09	34	9
14.6	12.85	9.2	7	-08	34	8
13.6	11.85	8.2	6	-07	34	7
D	(C)	B	(A)	EMBOSSED PACKAGE		極数
				ORDER No. オーダー番号		CKT.

CONNECTOR SERIES NO. : 52610-\*\*23

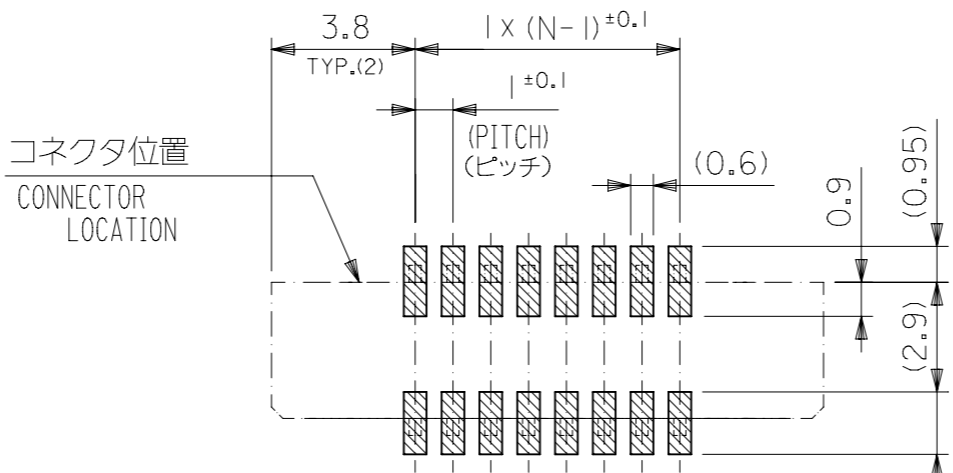
THIS DRAWING CONTAINS INFORMATION THAT IS PROPRIETARY TO MOLEX ELECTRONIC TECHNOLOGIES, LLC AND SHOULD NOT BE USED WITHOUT WRITTEN PERMISSION

<table border="1"> <tr><th colspan="2">DIMENSION UNITS</th><th colspan="2">SCALE</th></tr> <tr><td>mm</td><td></td><td>NTS</td><td></td></tr> <tr><th colspan="4">GENERAL TOLERANCES (UNLESS SPECIFIED)</th></tr> <tr><td>4 PLACES</td><td>±</td><td>MM</td><td>INCH</td></tr> <tr><td>3 PLACES</td><td>±</td><td></td><td></td></tr> <tr><td>2 PLACES</td><td>±</td><td></td><td></td></tr> <tr><td>1 PLACE</td><td>±</td><td></td><td></td></tr> <tr><td>0 PLACES</td><td>±</td><td></td><td></td></tr> <tr><td colspan="4">ANGULAR TOL ± 3.0°</td></tr> <tr><td colspan="4">DRAFT WHERE APPLICABLE MUST REMAIN WITHIN DIMENSIONS</td></tr> </table>	DIMENSION UNITS		SCALE		mm		NTS		GENERAL TOLERANCES (UNLESS SPECIFIED)				4 PLACES	±	MM	INCH	3 PLACES	±			2 PLACES	±			1 PLACE	±			0 PLACES	±			ANGULAR TOL ± 3.0°				DRAFT WHERE APPLICABLE MUST REMAIN WITHIN DIMENSIONS				CURRENT REV DESC: MIGRATED TO NX  EC NO: 626177 DRWN: RPRABHUM 2019/10/03 CHK'D: GGA 2019/10/30 APPR: GGA 2019/10/30  INITIAL REVISION: DRWN: AISHII 2013/02/20 APPR: KMORIKAWA 2013/03/15	
DIMENSION UNITS		SCALE																																								
mm		NTS																																								
GENERAL TOLERANCES (UNLESS SPECIFIED)																																										
4 PLACES	±	MM	INCH																																							
3 PLACES	±																																									
2 PLACES	±																																									
1 PLACE	±																																									
0 PLACES	±																																									
ANGULAR TOL ± 3.0°																																										
DRAFT WHERE APPLICABLE MUST REMAIN WITHIN DIMENSIONS																																										
<table border="1"> <tr><th colspan="3">GENERAL TOLERANCES (UNLESS SPECIFIED)</th></tr> <tr><td>10<sup>UNDER</sup></td><td>±0.2</td><td></td></tr> <tr><td>10<sup>OVER</sup> 30<sup>UNDER</sup></td><td>±0.25</td><td></td></tr> <tr><td>30<sup>OVER</sup></td><td>±0.3</td><td></td></tr> </table>	GENERAL TOLERANCES (UNLESS SPECIFIED)			10 <sup>UNDER</sup>	±0.2		10 <sup>OVER</sup> 30 <sup>UNDER</sup>	±0.25		30 <sup>OVER</sup>	±0.3		THIRD ANGLE PROJECTION 	DRAWING: A3-SIZE SERIES: 52610 MATERIAL NUMBER: SEE SHEET 2 CUSTOMER: GENERAL MARKET SHEET NUMBER: 1 OF 2																												
GENERAL TOLERANCES (UNLESS SPECIFIED)																																										
10 <sup>UNDER</sup>	±0.2																																									
10 <sup>OVER</sup> 30 <sup>UNDER</sup>	±0.25																																									
30 <sup>OVER</sup>	±0.3																																									



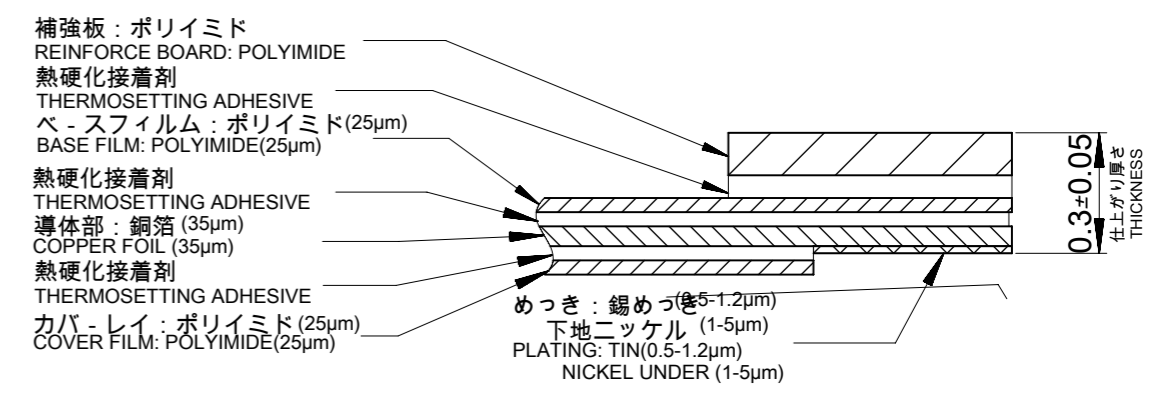


適合FPC推奨寸法  
APPLICABLE FPC RECOMMENDED DIM.  
仕上がり厚さ(THICKNESS) : 0.3 ±0.05



推奨基板レイアウト  
RECOMMENDED P.C. BOARD  
PATTERN DIMENSION.(REF.)

マスク厚 : 120µm  
マスク開口率 : 100%  
SCREEN THOCKNESS : 120 MICROMETER  
SCREEN OPEN RATIO : 100%



FPC構成推奨仕様  
STRUCTURE OF FPC

注記 (NOTES) :

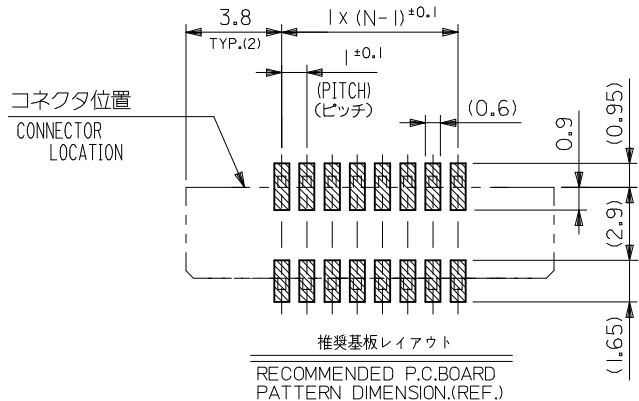
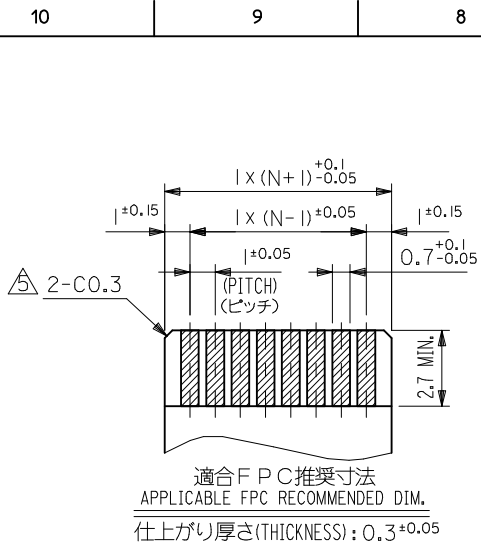
- 材質 MATERIAL  
ハウジング : ポリアミド (PA), ナチュラル (白色), ガラス充填, UL94V-0  
HOUSING : POLYAMIDE, NATURAL(WHITE), GLASS FILLED, UL94V-0  
アクチュエータ : ポリフェニレンサルファイド (PPS), ナチュラル (茶色), ガラス充填, UL94V-0  
ACTUATOR : POLYPHENYLENE SULFID, NATURAL(BROWN), GLASS FILLED, UL94V-0  
ターミナル : リン青銅 (t=0.32)  
TERMINAL : PHOSPHOR BRONZE(t=0.32)
- めっき仕様 PLATING  
ターミナル TERMINAL  
錫銀ビスマスめっき (1.0µm以上)  
TIN SILVER BISMUTH PLATING (1.0 MICROMETER MINIMUM)  
下地 : ニッケルめっき (1.0µm以上)  
UNDER PLATING : NICKEL PLATING (1.0 MICROMETER MINIMUM)
- ソルダータール半田付け面のズレ量は、基準面Fに対し上方向0.05MAX., 下方向0.15MAX.とする。  
MISALIGNMENT OF SOLDER TAILS FROM F UPPER DIRECTION : 0.05 MAX.  
LOWER DIRECTION : 0.15 MAX.
- 偶数極に適用  
APPLY FOR EVEN CIRCUIT.
- R0.3はFPCの導体部にかからないこと。  
R0.3 MUST NOT BE OVERLAPED TO PATTERN OF FPC.
- エンボステープ梱包時は、アクチュエータがロックした状態とする。  
IN THE PACKAGE, ACTUATOR OF PART NO.52610-\*\*23 SHOULD BE LOCKED.
- ソルダータールの平坦度は0.1mm以下とする。  
SOLDERTAIL COPLANARITY IS 0.1MM MAXIMUM.

FPCについて ABOUT FPC

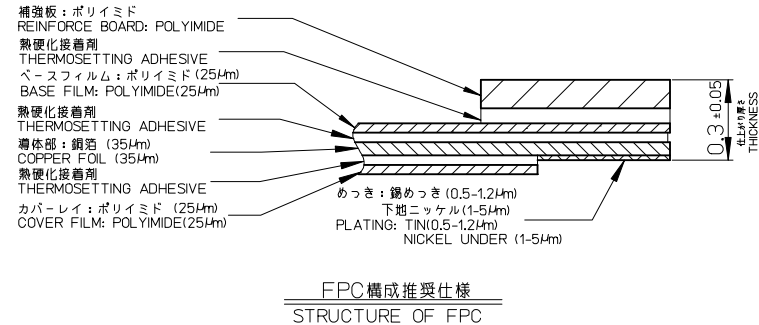
打ち抜き方向は導体側から補強板側を推奨します。  
導体部については軟箔銅35µmまたは50µmを推奨します。  
補強フィルム材質はポリイミドを推奨します。ベースフィルムは25µmを推奨します。  
接着剤は熱硬化接着剤を推奨します。  
尚、接着剤の接点部への付着は導通不良の原因になりますので、染み出しが無い様、お願い致します。  
RECOMMENDED PUNCHING DIRECTION: FROM CONDUCTOR SIDE TO STIFFENER SIDE  
RECOMMENDED CONDUCTOR SPEC: SOFT COPPER FOIL  
RECOMMENDED CONDUCTOR THICKNESS: 35 MICROMETER OR 50 MICROMETER  
RECOMMENDED STIFFENER MATERIAL: POLYIMIDE  
RECOMMENDED BASE FILM THICKNESS: 25 MICROMETER  
RECOMMENDED ADHESIVE: THERMOSETTING ADHESIVE  
NOTE: PLEASE PUT APPROPRIATE AMOUNT OF ADHESIVE ON ADHEREND BECAUSE THERE IS A POSSIBILITY THAT THE EXTRA ADHESIVE CAUSES THE DEFECT IN ELECTRICAL CONTINUITY.

THIS DRAWING CONTAINS INFORMATION THAT IS PROPRIETARY TO MOLEX ELECTRONIC TECHNOLOGIES, LLC AND SHOULD NOT BE USED WITHOUT WRITTEN PERMISSION

DIMENSION UNITS		SCALE		CURRENT REV DESC: MIGRATED TO NX		<b>molex</b>	
mm		NTS					
GENERAL TOLERANCES (UNLESS SPECIFIED)				EC NO: 626177		1.0 FPC CONN ZIF S/T HOUSING ASSY	
				DRWN: RPRABHUM 2019/10/03			
				CHK'D: GGA 2019/10/30			
				APPR: GGA 2019/10/30		PRODUCT CUSTOMER DRAWING	
				INITIAL REVISION:		DOCUMENT NUMBER	
				DRWN: AISHII 2013/02/20		SD-52610-050	
				APPR: KMORIKAWA 2013/03/15		DOC TYPE DOC PART REVISION	
						PSD 001 B1	
GENERAL TOLERANCES (UNLESS SPECIFIED)		ANGULAR TOL ± 3.0°		THIRD ANGLE PROJECTION		MATERIAL NUMBER	
10 UNDER ±0.2				DRAWING		CUSTOMER	
10 OVER 30 UNDER ±0.25				A3-SIZE		SERIES	
30 OVER ±0.3		DRAFT WHERE APPLICABLE MUST REMAIN WITHIN DIMENSIONS		52610		SHEET NUMBER	
DOCUMENT STATUS		P1		RELEASE DATE		2019/10/30 07:02:53	
DATE 2019/10/30		DATE 2019/10/30		DATE 2019/10/30		DATE 2019/10/30	



マスク厚 : 120 μm  
 マスク開口率 : 100%  
 SCREEN THICKNESS : 120 MICROMETER  
 SCREEN OPEN RATIO : 100%



注記 (NOTES):  
 1. 材質 MATERIAL

ハウジング: ポリアミド (PA), ナチュラル (白色), ガラス充填, UL94V-0  
 HOUSING: POLYAMIDE, NATURAL (WHITE), GLASS FILLED, UL94V-0  
 アクチュエータ: ポリフェニレンサルファイド (PPS), ナチュラル (茶色), ガラス充填, UL94V-0  
 ACTUATOR: POLYPHENYLENE SULFID, NATURAL (BROWN), GLASS FILLED, UL94V-0  
 ターミナル: リン青銅 (t=0.32)  
 TERMINAL: PHOSPHOR BRONZE (t=0.32)

2. めっき仕様 PLATING  
 ターミナル TERMINAL

錫銀ビスマスめっき (1.0 μm以上)  
 TIN SILVER BISMUTH PLATING (1.0 MICROMETER MINIMUM)  
 下地: ニッケルめっき (1.0 μm以上)  
 UNDER PLATING: NICKEL PLATING (1.0 MICROMETER MINIMUM)

△ ソルダータール半田付け面のズレ量は、基準面  $\square$  に対し上方向0.05MAX., 下方向0.15MAX.とする。  
 MISALIGNMENT OF SOLDER TAILS FROM  $\square$  UPPER DIRECTION : 0.05 MAX. LOWER DIRECTION : 0.15 MAX.

△ 偶数極に適用  
 APPLY FOR EVEN CIRCUIT.

△ R0.3はFPCの導体部にかからないこと。  
 R0.3 MUST NOT BE OVERLAPED TO PATTERN OF FPC.

6. エンボステープ梱包時は、アクチュエータがロックした状態とする。  
 IN THE PACKAGE, ACTUATOR OF PART NO.52610-\*\*23 SHOULD BE LOCKED.

△ ソルダータールの平坦度は0.1mm以下とする。  
 SOLDER TAIL COPLANARITY IS 0.1MM MAXIMUM.

8. ELV及びRoHS適合品  
 ELV AND RoHS COMPLIANT

FPCについて ABOUT FPC

打ち抜き方向は導体側から補強板側を推奨します。  
 導体部については軟烙銅35 μmまたは50 μmを推奨します。  
 補強フィルム材質はポリイミドを推奨します。ベースフィルムは25 μmを推奨します。  
 接着剤は熱硬化接着剤を推奨します。  
 尚、接着剤の接点部への付着は導通不良の原因になりますので、染み出しが無い様、お願い致します。  
 RECOMMENDED PUNCHING DIRECTION: FROM CONDUCTOR SIDE TO STIFFENER SIDE  
 RECOMMENDED CONDUCTOR SPEC: SOFT COPPER FOIL  
 RECOMMENDED CONDUCTOR THICKNESS: 35 MICROMETER OR 50 MICROMETER  
 RECOMMENDED STIFFENER MATERIAL: POLYIMIDE  
 RECOMMENDED BASE FILM THICKNESS: 25 MICROMETER  
 RECOMMENDED ADHESIVE: THERMOSETTING ADHESIVE  
 NOTE: PLEASE PUT APPROPRIATE AMOUNT OF ADHESIVE ON ADHEREND BECAUSE THERE IS A POSSIBILITY THAT THE EXTRA ADHESIVE CAUSES THE DEFECT IN ELECTRICAL CONTINUITY.

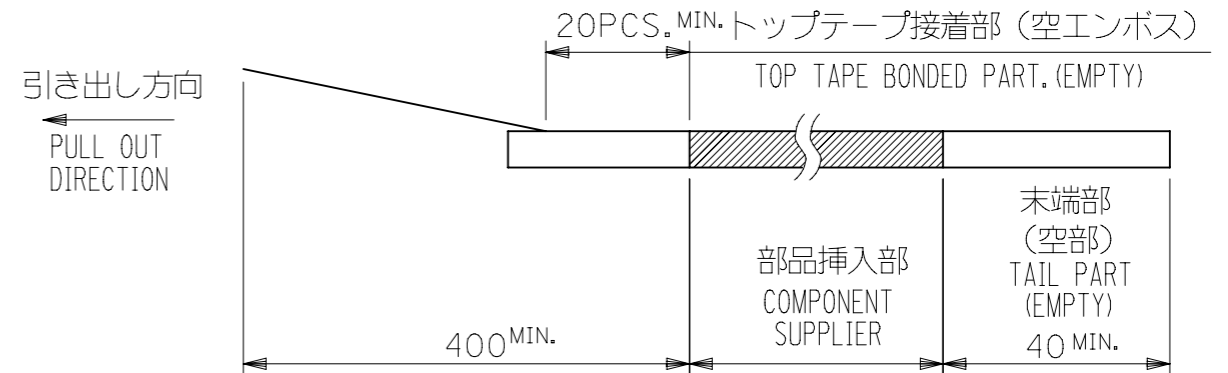
SEE SHEET 1 OF 2 EC NO: J2014-0096 DRW: AISHII 2013/07/18 CHKD: KAKAHASHI 2013/07/18 APPR: YNOGAWA 2013/08/19	GENERAL TOLERANCES (UNLESS SPECIFIED)		DIMENSION STYLE MM ONLY		SCALE ---	DESIGN UNITS METRIC	THIRD ANGLE PROJECTION
	10 UNDER	±0.2	DRAWN BY AISHII	DATE 2013/02/20	TITLE 1.0 FPC CONN ZIF S/T HOUSING ASSY		
	10 OVER 30 UNDER	±0.25	CHECKED BY KAKAHASHI	DATE 2013/02/20			
	30 OVER	±0.3	APPROVED BY KMORIKAWA	DATE 2013/03/15			
	ANGULAR ±3 °		MATERIAL NO.		DOCUMENT NO. SD-52610-050		SHEET NO. 2 OF 2
DRAFT WHERE APPLICABLE MUST REMAIN WITHIN DIMENSIONS		SIZE A3	THIS DRAWING CONTAINS INFORMATION THAT IS PROPRIETARY TO MOLEX INCORPORATED AND SHOULD NOT BE USED WITHOUT WRITTEN PERMISSION				

NOTES

1. 52610-\*\*23のアクチュエータはハウジング内に押し下げた状態とする。  
 詳細寸法については図面SD-52610-050をご参照ください。  
 ACTUATOR OF PART NO. 52610-\*\*23 SHOULD BE LOCKED.  
 RE DETAILED DIMENSIONS, SEE SD-52610-050

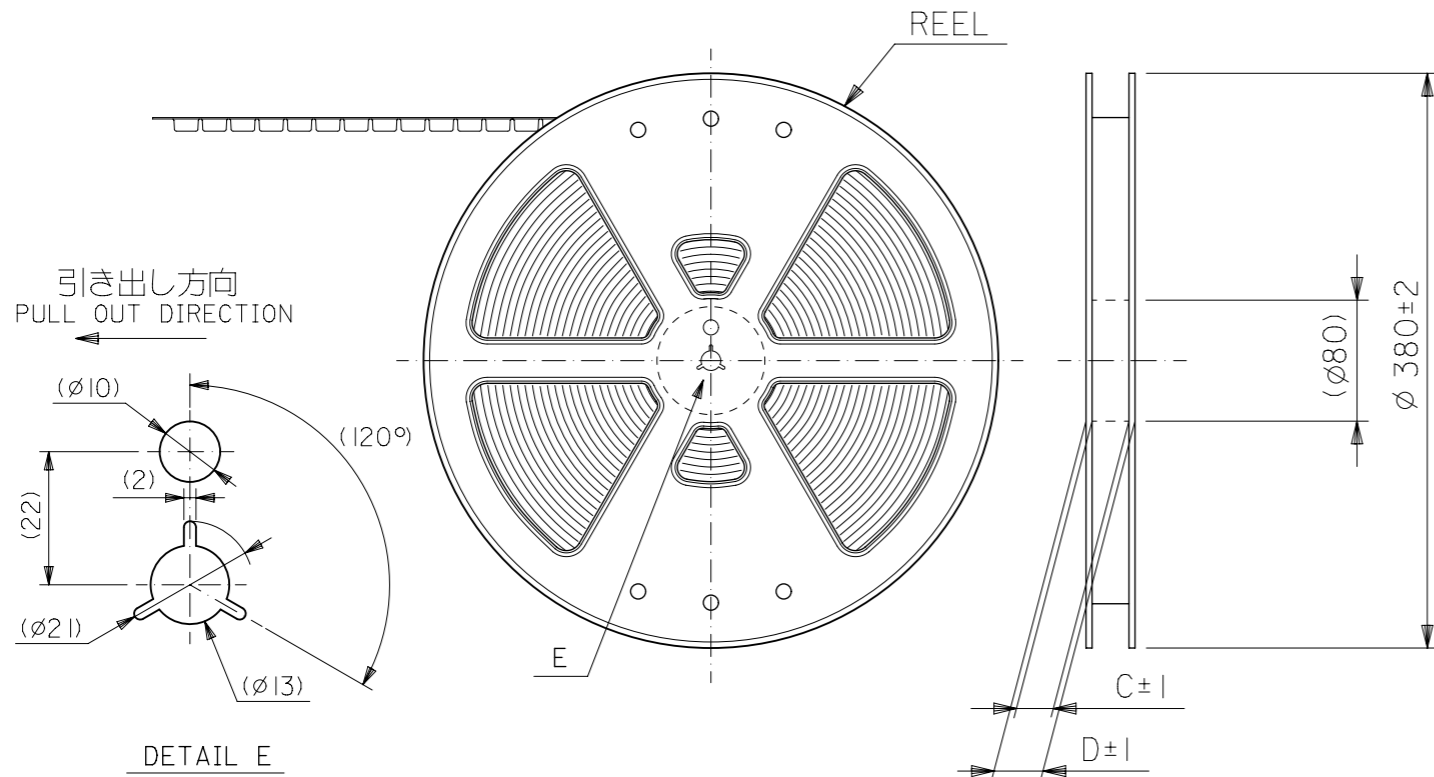
2. 梱包数量：1000個 / リール  
 NUMBER OF CONNECTORS : 1000PCS/REEL

3. リードテープ長さ  
 LEAD TAPE LENGTH

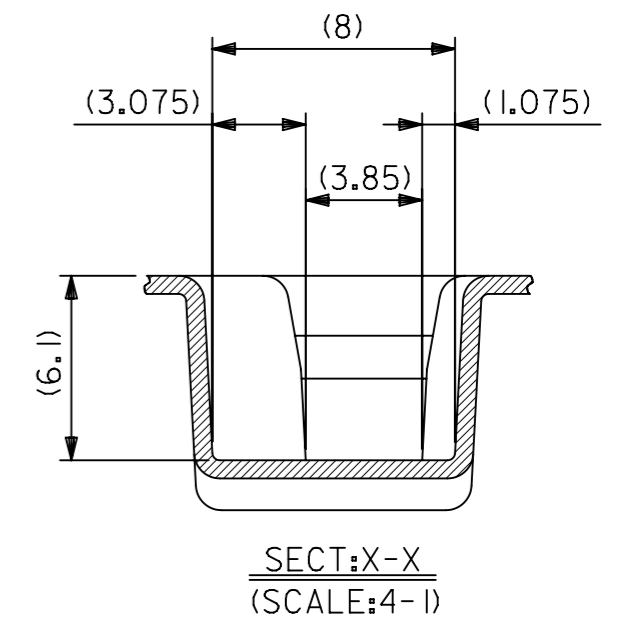
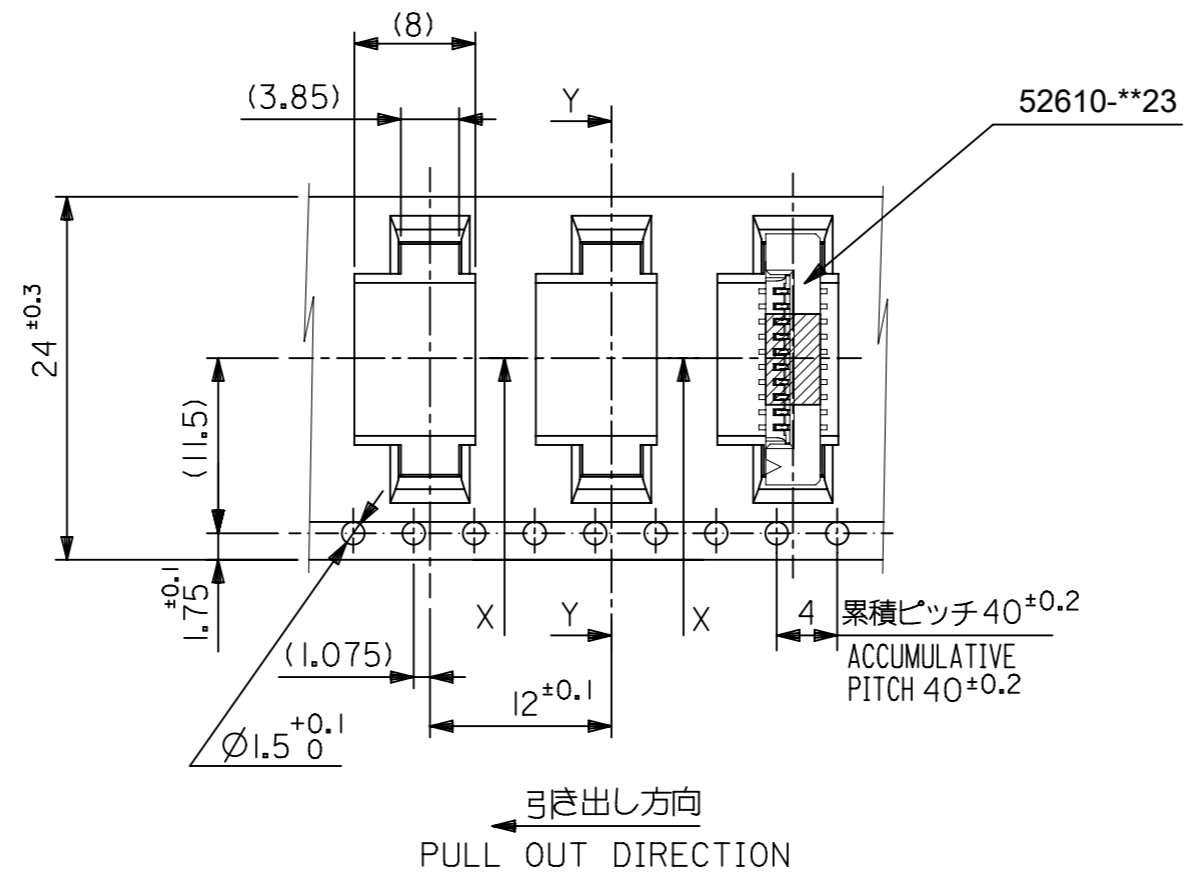
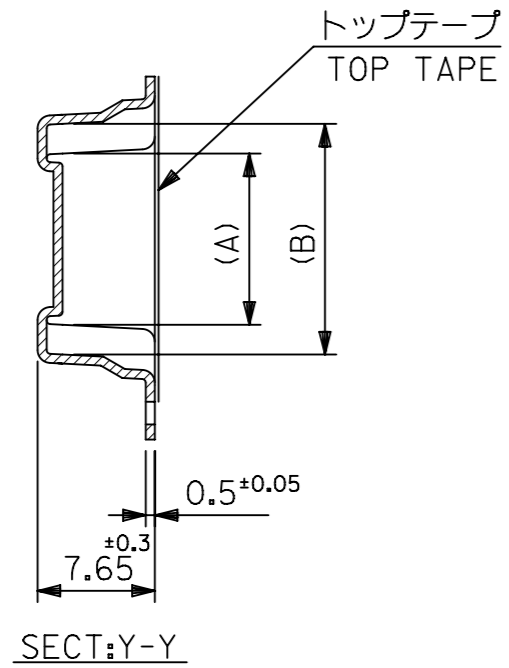


4. カバーテープの剥離強度については、IEC60286-3に準拠  
 COVER TAPE PEEL FORCE IS DEFINED BY IEC60286-3.

5. 材料(MATERIAL)  
 キャリアテープ ( CARRIER TAPE ) : ポリプロピレン ( POLYPROPYLENE )  
 トップテープ ( TOP TAPE ) : PET, PE, PEF  
 リール(REEL) : ポリスチレン(PS)<リサイクル材を含む>  
 POLYSTYREN(PS) <RECYCLE MATERIAL CONTAINED>



THIS DRAWING CONTAINS INFORMATION THAT IS PROPRIETARY TO MOLEX ELECTRONIC TECHNOLOGIES, LLC AND SHOULD NOT BE USED WITHOUT WRITTEN PERMISSION		CURRENT REV DESC: MIGRATED TO NX		<b>molex</b>	
DIMENSION UNITS: mm		SCALE: NTS			
GENERAL TOLERANCES (UNLESS SPECIFIED)		EC NO: 626177		EMBOSS TAPE PACKAGED FOR 1.0 FPC CONN ZIF S/T HOUSING ASSY	
		DRWN: RPRABHUM 2019/10/03		DOCUMENT NUMBER: SD-52610-051	
		CHK'D: GGA 2019/10/30		DOC TYPE: PSD	
		APPR: GGA 2019/10/30		DOC PART: 001	
		INITIAL REVISION:		REVISION: A	
		DRWN: AISHII 2013/02/20			
		APPR: KMORIKAWA 2013/03/15			
10 <sup>UNDER</sup>		±0.2		MATERIAL NUMBER: SEE CHART	
10 <sup>OVER</sup> 30 <sup>UNDER</sup>		±0.25		CUSTOMER: GENERAL MARKET	
30 <sup>OVER</sup>		±0.3		SHEET NUMBER: 1 OF 5	
ANGULAR TOL ± 3.0°		DRAFT WHERE APPLICABLE MUST REMAIN WITHIN DIMENSIONS		THIRD ANGLE PROJECTION	
		DRAWING: A3-SIZE		SERIES: 52610	



24	29.4	25.4	15.25	11.32	52610-1034	10
			14.25	10.32	52610-0934	9
			13.25	9.32	52610-0834	8
			12.25	8.32	52610-0734	7
キャリアテープ幅 CARRIER TAPE WIDTH	D	C	(B)	(A)	MATERIAL. NO.	極数 CKT.

THIS DRAWING CONTAINS INFORMATION THAT IS PROPRIETARY TO MOLEX ELECTRONIC TECHNOLOGIES, LLC AND SHOULD NOT BE USED WITHOUT WRITTEN PERMISSION

CURRENT REV DESC: MIGRATED TO NX

**molex**

EMBOSS TAPE PACKAGED FOR  
1.0 FPC CONN ZIF S/T HOUSING ASSY

PRODUCT CUSTOMER DRAWING

DOCUMENT NUMBER: SD-52610-051 | DOC TYPE: PSD | DOC PART: 001 | REVISION: A

EC NO: 626177 | DRWN: RPRABHUM | 2019/10/03  
CHK'D: GGA | 2019/10/30  
APPR: GGA | 2019/10/30

INITIAL REVISION:  
DRWN: AISHII | 2013/02/20  
APPR: KMORIKAWA | 2013/03/15

DIMENSION UNITS: mm | SCALE: NTS

GENERAL TOLERANCES (UNLESS SPECIFIED)

PLACES	TOLERANCE
4 PLACES	±
3 PLACES	±
2 PLACES	±
1 PLACE	±
0 PLACES	±

ANGULAR TOL ± 3.0°

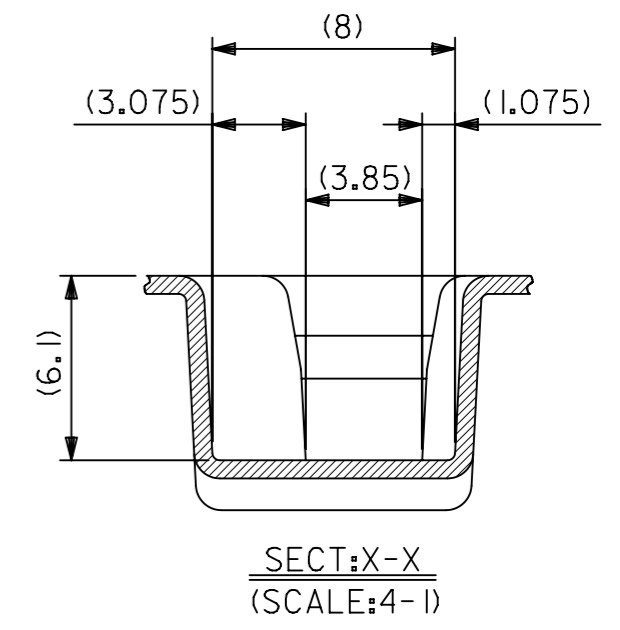
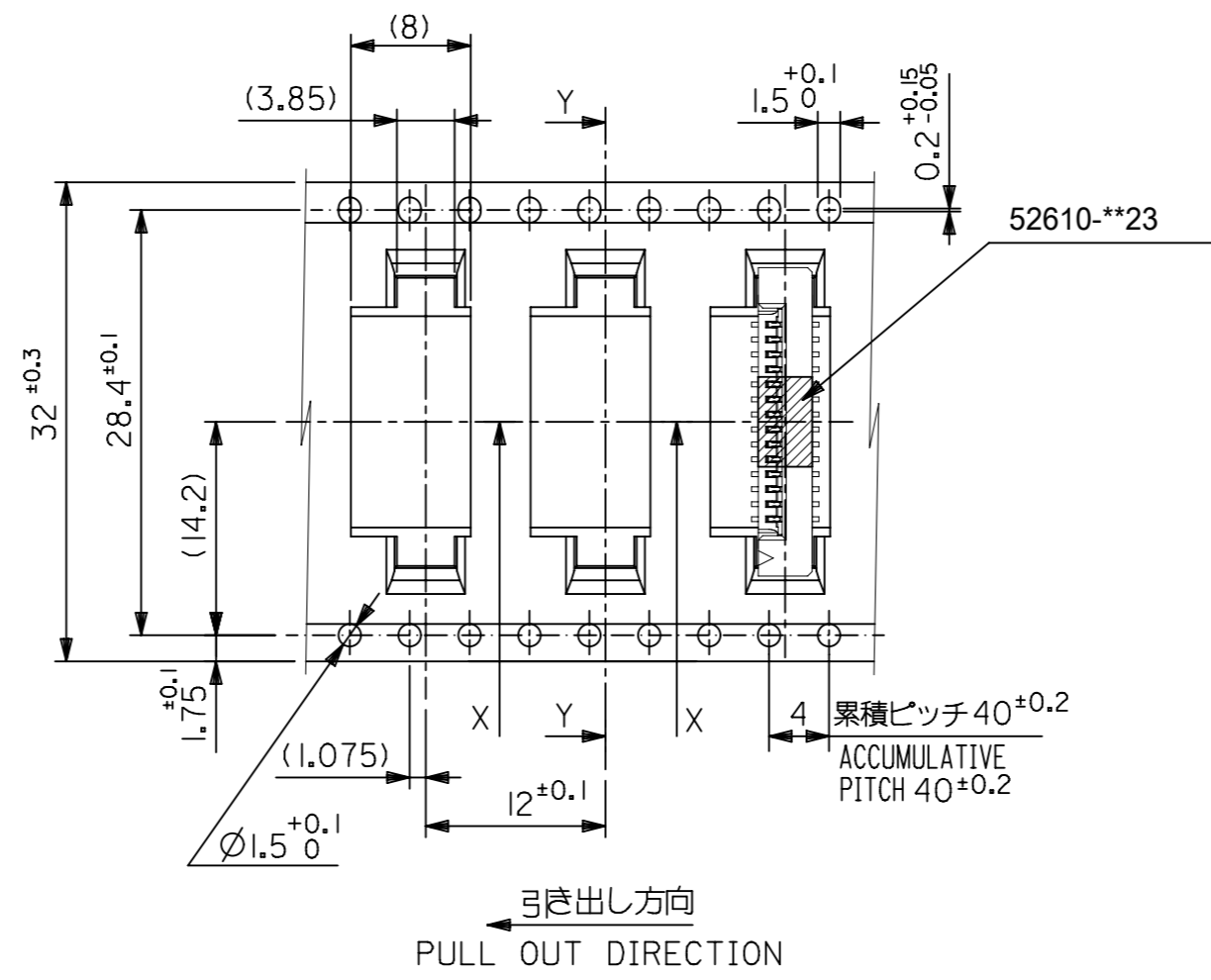
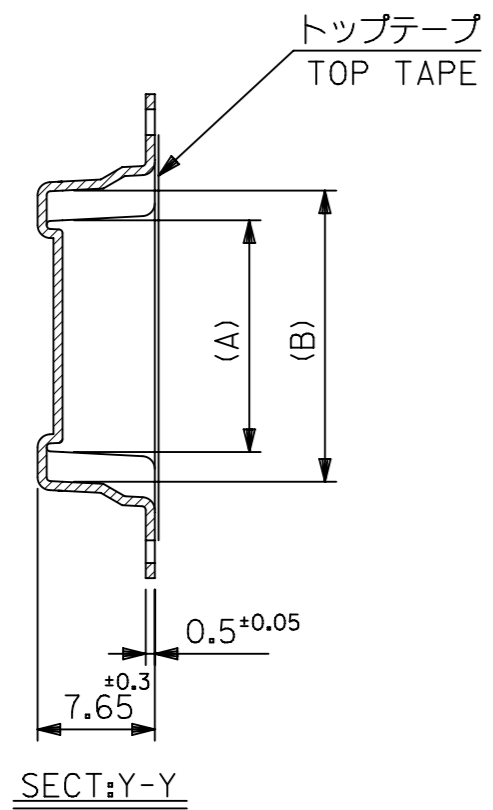
DRAFT WHERE APPLICABLE MUST REMAIN WITHIN DIMENSIONS

THIRD ANGLE PROJECTION

DRAWING: A3-SIZE | SERIES: 52610 | MATERIAL NUMBER: SEE CHART | CUSTOMER: GENERAL MARKET | SHEET NUMBER: 2 OF 5

GENERAL TOLERANCES (UNLESS SPECIFIED)

10 <sup>UNDER</sup>	±0.2
10 <sup>OVER</sup> 30 <sup>UNDER</sup>	±0.25
30 <sup>OVER</sup>	±0.3



32	37.4	33.4	19.25	15.32	52610-1434	14
キャリアテープ幅 CARRIER TAPE WIDTH	D	C	(B)	(A)	MATERIAL. NO.	極数 CKT.

THIS DRAWING CONTAINS INFORMATION THAT IS PROPRIETARY TO MOLEX ELECTRONIC TECHNOLOGIES, LLC AND SHOULD NOT BE USED WITHOUT WRITTEN PERMISSION

CURRENT REV DESC: MIGRATED TO NX

**molex**

EMBOSS TAPE PACKAGED FOR  
1.0 FPC CONN ZIF S/T HOUSING ASSY

PRODUCT CUSTOMER DRAWING

EC NO: 626177  
DRWN: RPRABHUM 2019/10/03  
CHK'D: GGA 2019/10/30  
APPR: GGA 2019/10/30

INITIAL REVISION:  
DRWN: AISHII 2013/02/20  
APPR: KMORIKAWA 2013/03/15

DOCUMENT NUMBER: SD-52610-051  
DOC TYPE: PSD  
DOC PART: 001  
REVISION: A

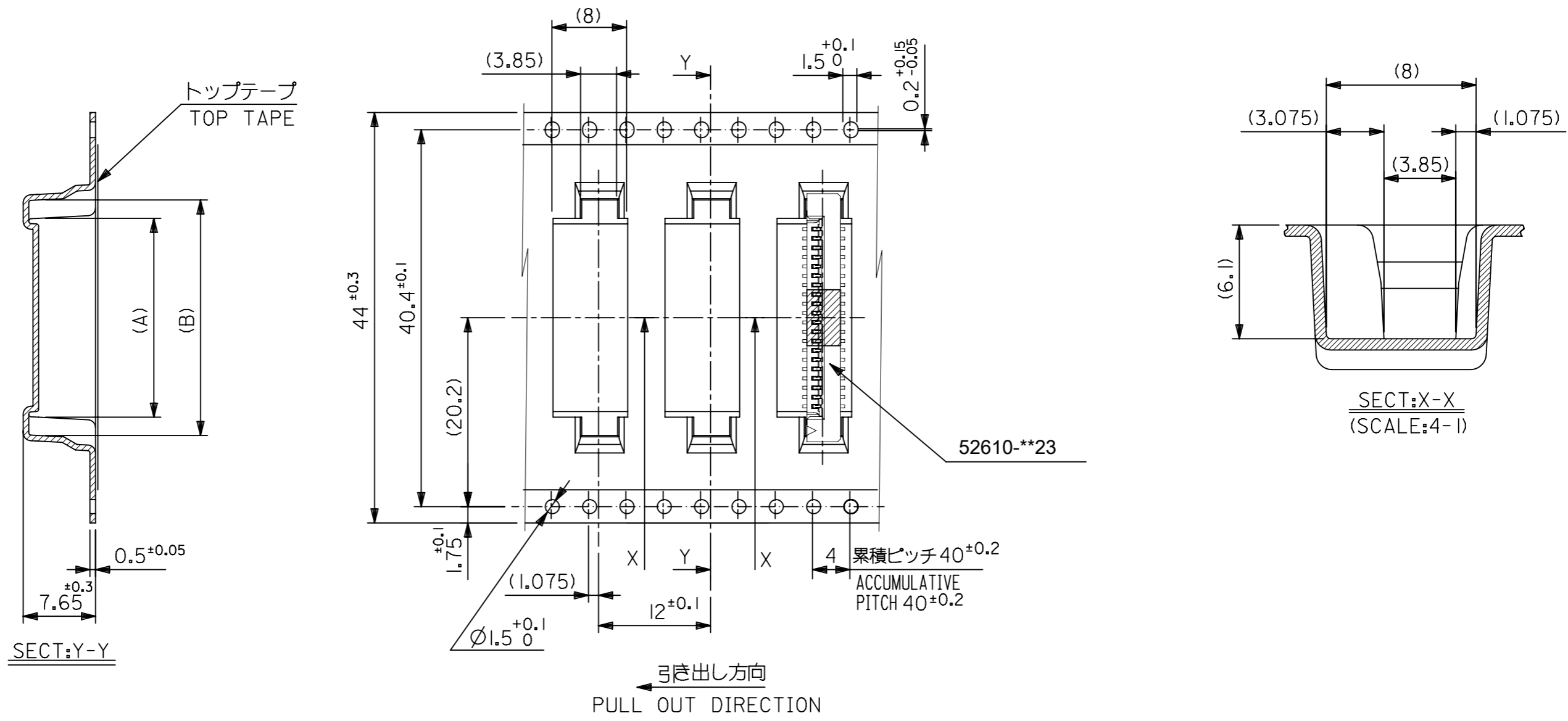
DRAFT WHERE APPLICABLE MUST REMAIN WITHIN DIMENSIONS

THIRD ANGLE PROJECTION

DRAWING: A3-SIZE  
SERIES: 52610  
MATERIAL NUMBER: SEE CHART  
CUSTOMER: GENERAL MARKET  
SHEET NUMBER: 3 OF 5

GENERAL TOLERANCES (UNLESS SPECIFIED)

10 <sup>UNDER</sup>	±0.2
10 <sup>OVER</sup> 30 <sup>UNDER</sup>	±0.25
30 <sup>OVER</sup>	±0.3



44	49.4	45.4	31.25	27.32	52610-2634	26	
			30.25	26.32	52610-2534	25	
			29.25	25.32	52610-2434	24	
			25.25	21.32	52610-2034	20	
			24.25	20.32	52610-1934	19	
			21.25	17.32	52610-1634	16	
キャリアテープ幅 CARRIER TAPE WIDTH		D	C	(B)	(A)	MATERIAL. NO.	極数 CKT.

THIS DRAWING CONTAINS INFORMATION THAT IS PROPRIETARY TO MOLEX ELECTRONIC TECHNOLOGIES, LLC AND SHOULD NOT BE USED WITHOUT WRITTEN PERMISSION

SCALE: mm NTS

GENERAL TOLERANCES (UNLESS SPECIFIED)

		MM	INCH
4 PLACES		±	
3 PLACES		±	
2 PLACES		±	
1 PLACE		±	
0 PLACES		±	

ANGULAR TOL ± 3.0°

DRAFT WHERE APPLICABLE MUST REMAIN WITHIN DIMENSIONS

THIRD ANGLE PROJECTION

CURRENT REV DESC: MIGRATED TO NX

**molex**

EMBOSS TAPE PACKAGED FOR 1.0 FPC CONN ZIF S/T HOUSING ASSY

PRODUCT CUSTOMER DRAWING

EC NO: 626177  
DRWN: RPRABHUM 2019/10/03  
CHK'D: GGA 2019/10/30  
APPR: GGA 2019/10/30

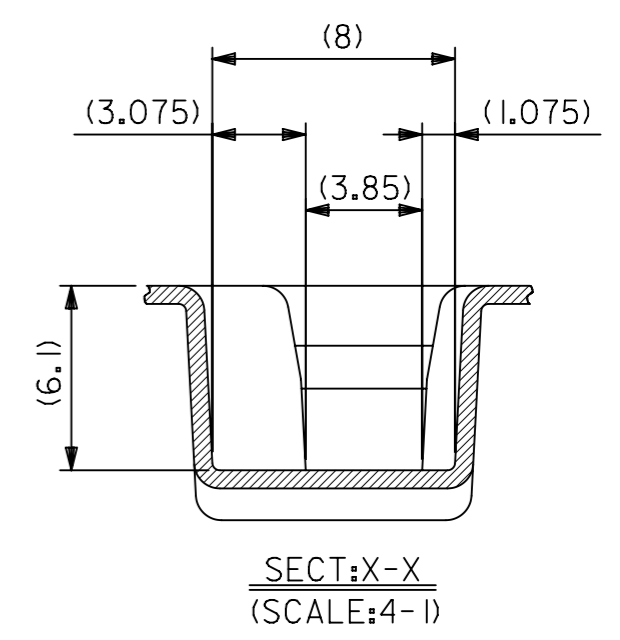
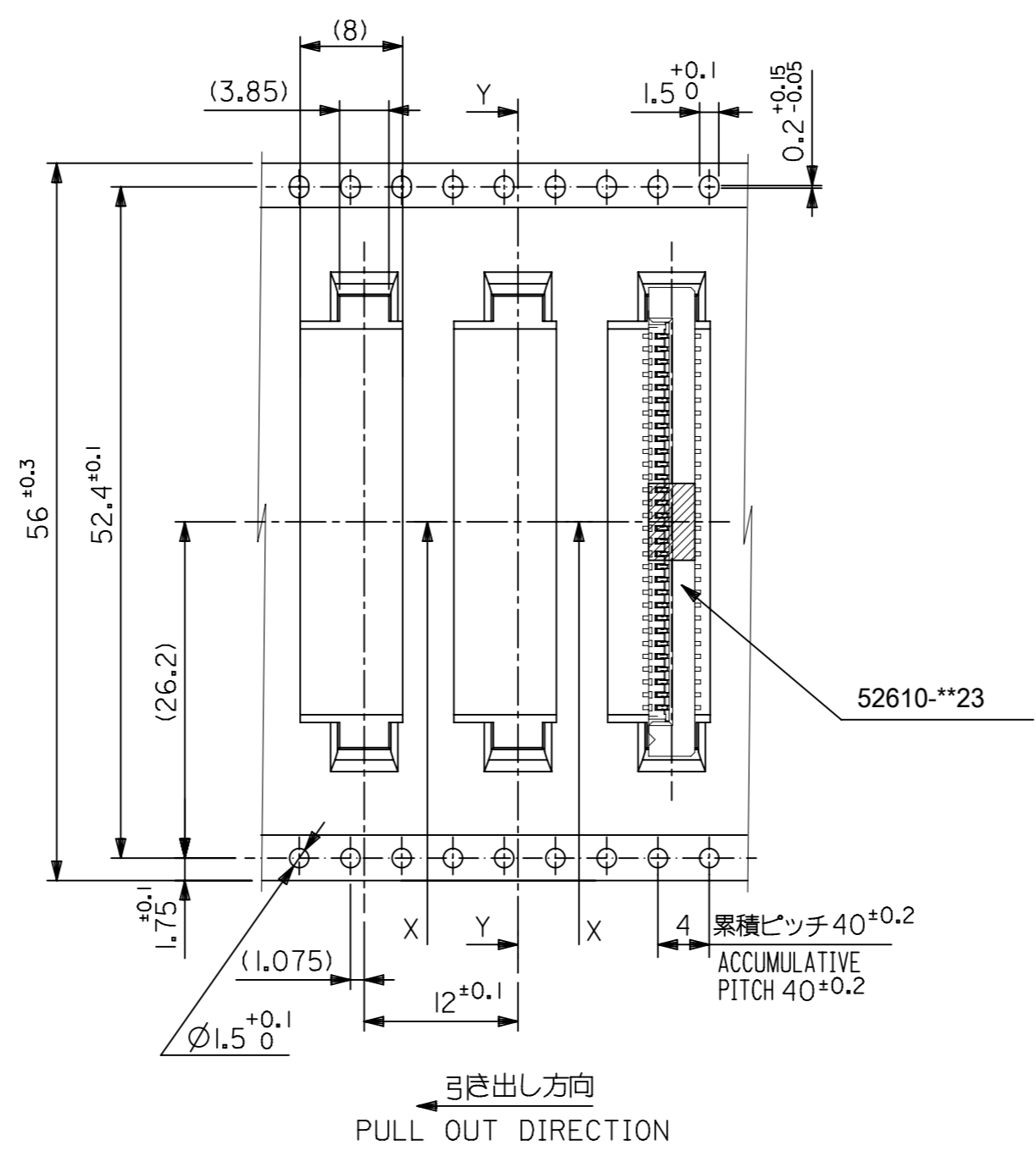
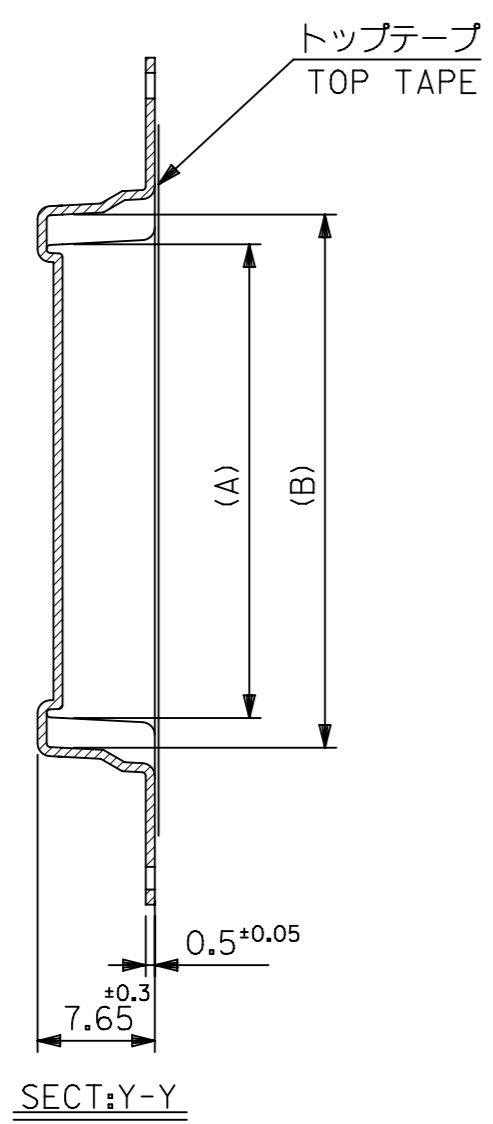
INITIAL REVISION:  
DRWN: AISHII 2013/02/20  
APPR: KMORIKAWA 2013/03/15

DOCUMENT NUMBER: SD-52610-051  
DOC TYPE: PSD  
DOC PART: 001  
REVISION: A

MATERIAL NUMBER: SEE CHART  
CUSTOMER: GENERAL MARKET  
SHEET NUMBER: 4 OF 5

GENERAL TOLERANCES (UNLESS SPECIFIED)

10 <sup>UNDER</sup>	±0.2
10 <sup>OVER</sup> 30 <sup>UNDER</sup>	±0.25
30 <sup>OVER</sup>	±0.3



56	61.4	57.4	35.25	31.32	52610-3034	30
			33.25	29.32	52610-2834	28
キャリアテープ幅 CARRIER TAPE WIDTH	D	C	(B)	(A)	MATERIAL. NO.	極数 CKT.

THIS DRAWING CONTAINS INFORMATION THAT IS PROPRIETARY TO MOLEX ELECTRONIC TECHNOLOGIES, LLC AND SHOULD NOT BE USED WITHOUT WRITTEN PERMISSION

SCALE: mm NTS

GENERAL TOLERANCES (UNLESS SPECIFIED)

	MM	INCH
4 PLACES	±	±
3 PLACES	±	±
2 PLACES	±	±
1 PLACE	±	±
0 PLACES	±	±

ANGULAR TOL ± 3.0°

DRAFT WHERE APPLICABLE MUST REMAIN WITHIN DIMENSIONS

THIRD ANGLE PROJECTION

CURRENT REV DESC: MIGRATED TO NX

**molex**

EMBOSS TAPE PACKAGED FOR 1.0 FPC CONN ZIF S/T HOUSING ASSY

PRODUCT CUSTOMER DRAWING

EC NO: 626177  
DRWN: RPRABHUM 2019/10/03  
CHK'D: GGA 2019/10/30  
APPR: GGA 2019/10/30

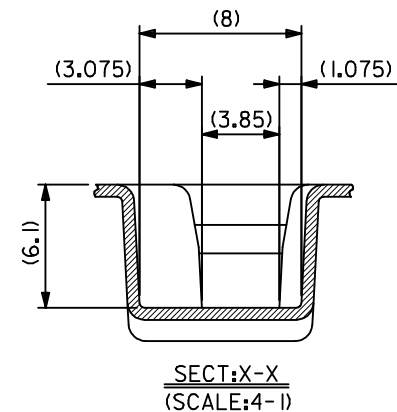
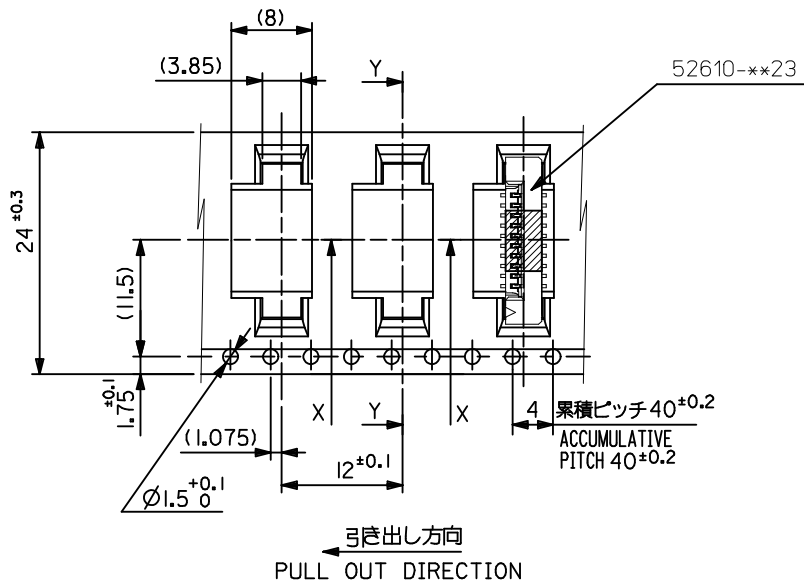
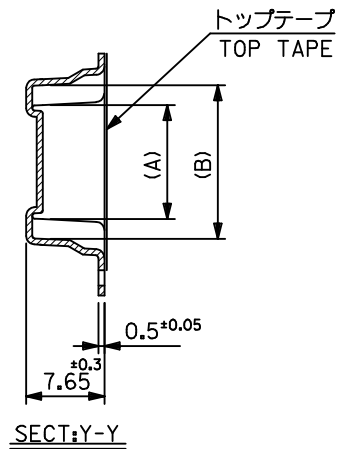
INITIAL REVISION:  
DRWN: AISHII 2013/02/20  
APPR: KMORIKAWA 2013/03/15

DOCUMENT NUMBER: SD-52610-051  
DOC TYPE: PSD  
DOC PART: 001  
REVISION: A

MATERIAL NUMBER: SEE CHART  
CUSTOMER: GENERAL MARKET  
SHEET NUMBER: 5 OF 5

GENERAL TOLERANCES (UNLESS SPECIFIED)

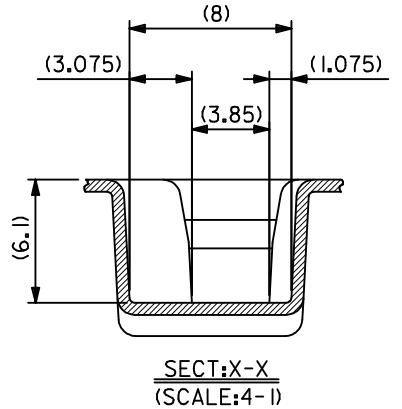
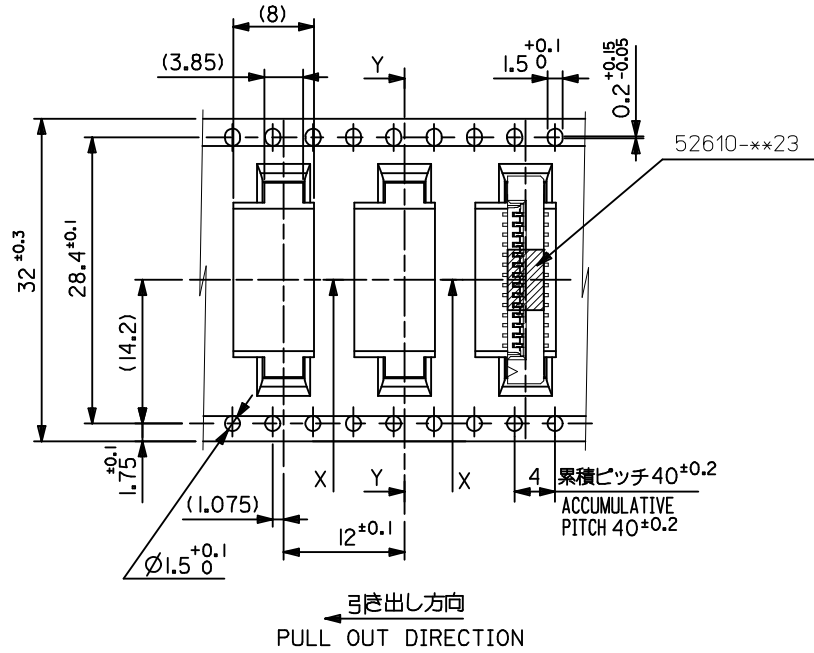
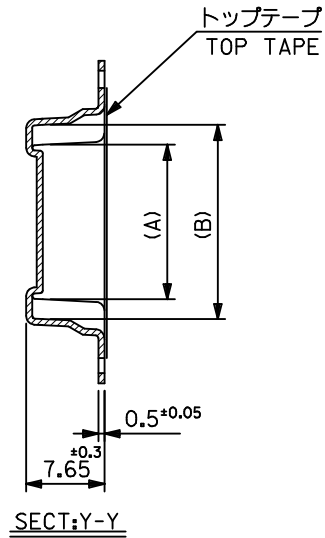
10 <sup>UNDER</sup>	±0.2
10 <sup>OVER</sup> 30 <sup>UNDER</sup>	±0.25
30 <sup>OVER</sup>	±0.3



24	29.4	25.4	15.25	11.32	52610-1034	10
			14.25	10.32	52610-0934	9
			13.25	9.32	52610-0834	8
			12.25	8.32	52610-0734	7
			11.25	7.32	52610-0634	6
キャリアテープ幅 CARRIER TAPE WIDTH	D	C	(B)	(A)	MATERIAL. NO.	極数 CKT.

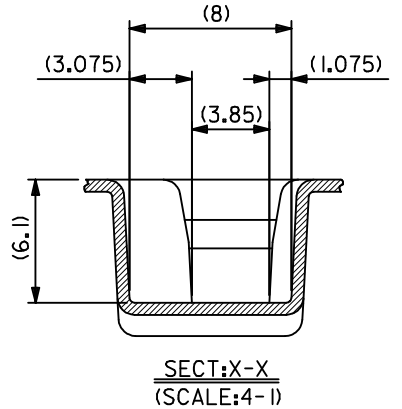
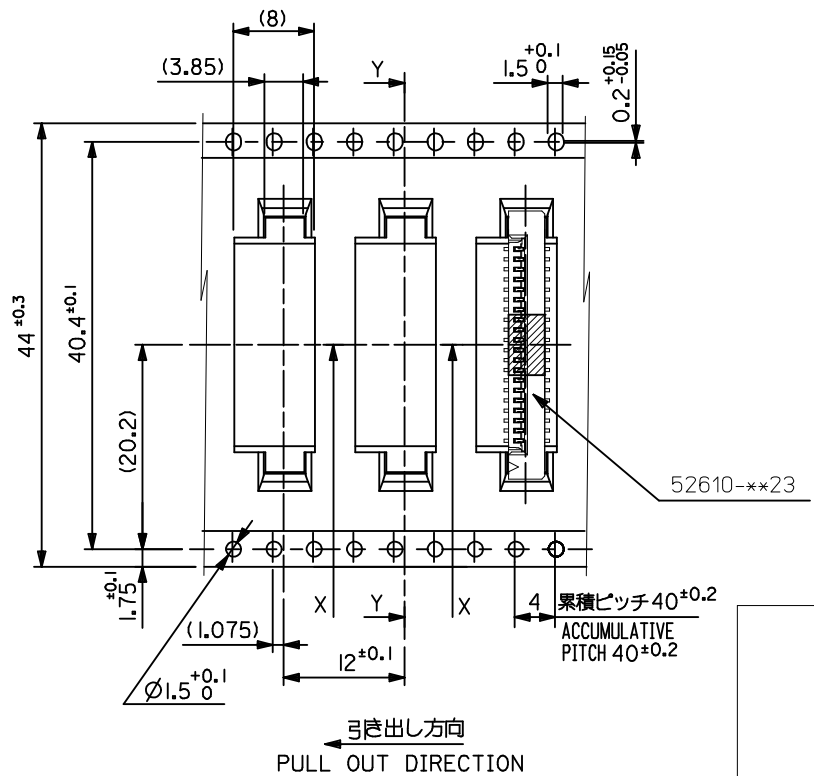
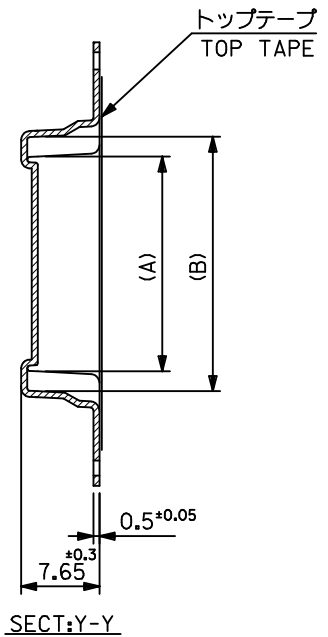
SEE SHEET 1 OF 5 EC NO.: J2013-1003 DRW: AISHII 2013/02/20 CHKD: TAKAHASHI 2013/02/20 APP: KMORIKAWA 2013/03/15	DESCRIPTION REV: 0	GENERAL TOLERANCES (UNLESS SPECIFIED)		DIMENSION STYLE MM ONLY		SCALE ---		DESIGN UNITS METRIC		THIRD ANGLE PROJECTION	
		10 UNDER	±0.3	DRAWN BY AISHII	DATE 2013/02/20	TITLE EMBOSS TAPE PACKAGED FOR 1.0 FPC CONN ZIF S/T HOUSING ASSY <b>molex</b>					
		10 OVER 30 UNDER	±0.25	CHECKED BY KTAKAHASHI	DATE 2013/02/20						
		30 OVER	±0.2	APPROVED BY KMORIKAWA	DATE 2013/03/15						
		ANGULAR ±3 °		DRAFT WHERE APPLICABLE MUST REMAIN WITHIN DIMENSIONS		MATERIAL NO. SEE CHART		DOCUMENT NO. SD-52610-051		SHEET NO. 2 OF 5	
THIS DRAWING CONTAINS INFORMATION THAT IS PROPRIETARY TO MOLEX INCORPORATED AND SHOULD NOT BE USED WITHOUT WRITTEN PERMISSION											





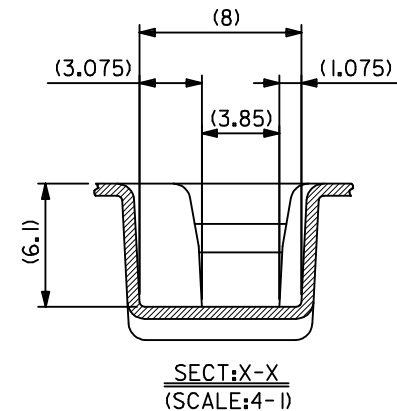
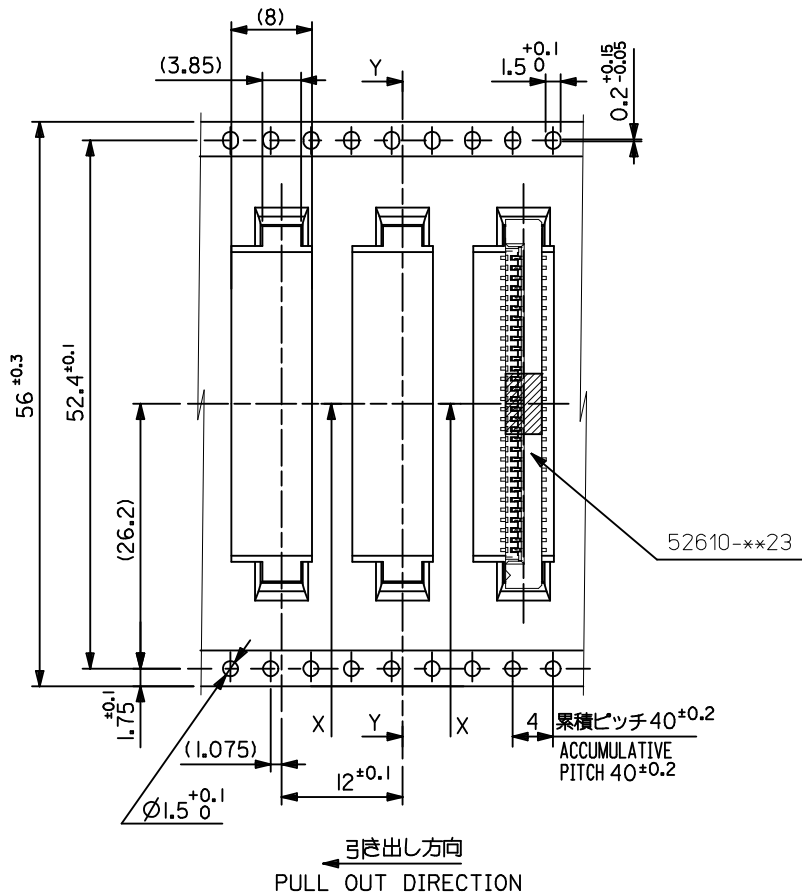
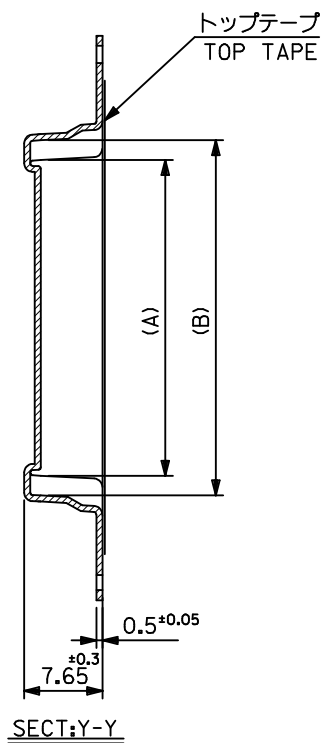
32	37.4	33.4	20.25	16.32	52610-1534	15
			19.25	15.32	52610-1434	14
			18.25	14.32	52610-1334	13
			17.25	13.32	52610-1234	12
キャリアテープ幅 CARRIER TAPE WIDTH	D	C	(B)	(A)	MATERIAL NO.	極数 CKT.

SEE SHEET 1 OF 5 EC NO: J2013-1003 DRWN:AISHII 2013/02/20 CHKD:KTAKAHASHI 2013/02/20 APPR:KMORIKAWA 2013/03/15	DESCRIPTION REV 0	GENERAL TOLERANCES (UNLESS SPECIFIED)		DIMENSION STYLE MM ONLY		SCALE ---	DESIGN UNITS METRIC	THIRD ANGLE PROJECTION	
		10 UNDER	±0.3	DRAWN BY AISHII	DATE 2013/02/20	TITLE EMBOSS TAPE PACKAGED FOR 1.0 FPC CONN ZIF S/T HOUSING ASSY			
		10 OVER 30 UNDER	±0.25	CHECKED BY KTAKAHASHI	DATE 2013/02/20				
		30 OVER	±0.2	APPROVED BY KMORIKAWA	DATE 2013/03/15				
		ANGULAR ±3 °		DRAFT WHERE APPLICABLE MUST REMAIN WITHIN DIMENSIONS		MATERIAL NO. SEE CHART		DOCUMENT NO. SD-52610-051	SHEET NO. 3 OF 5
THIS DRAWING CONTAINS INFORMATION THAT IS PROPRIETARY TO MOLEX INCORPORATED AND SHOULD NOT BE USED WITHOUT WRITTEN PERMISSION									



44	49.4	45.4	31.25	27.32	52610-2634	26
			30.25	26.32	52610-2534	25
			29.25	25.32	52610-2434	24
			28.25	24.32	52610-2334	23
			27.25	23.32	52610-2234	22
			26.25	22.32	52610-2134	21
			25.25	21.32	52610-2034	20
			24.25	20.32	52610-1934	19
			23.25	19.32	52610-1834	18
21.25	17.32	52610-1634	16			
キャリアテープ幅 CARRIER TAPE WIDTH	D	C	(B)	(A)	MATERIAL. NO.	極数 CKT.

SEE SHEET 1 OF 5 EC NO: J2013-1003 DRW: AISHII 2013/02/20 CHKD: KTAHASHI 2013/02/20 APPR: KMORIKAWA 2013/03/15	DESCRIPTION REV: 0	GENERAL TOLERANCES (UNLESS SPECIFIED)		DIMENSION STYLE MM ONLY		SCALE ---	DESIGN UNITS METRIC	THIRD ANGLE PROJECTION		
		10 UNDER	±0.3	DRAWN BY AISHII	DATE 2013/02/20	TITLE EMBOSS TAPE PACKAGED FOR 1.0 FPC CONN ZIF S/T HOUSING ASSY <b>molex</b>				
		10 OVER 30 UNDER	±0.25	CHECKED BY KTAHASHI	DATE 2013/02/20					
		30 OVER	±0.2	APPROVED BY KMORIKAWA	DATE 2013/03/15					
		ANGULAR ±3 °		DRAFT WHERE APPLICABLE MUST REMAIN WITHIN DIMENSIONS		MATERIAL NO. SEE CHART		DOCUMENT NO. SD-52610-051		SHEET NO. 4 OF 5
THIS DRAWING CONTAINS INFORMATION THAT IS PROPRIETARY TO MOLEX INCORPORATED AND SHOULD NOT BE USED WITHOUT WRITTEN PERMISSION										



56	61.4	57.4	35.25	31.32	52610-3034	30
			33.25	29.32	52610-2834	28
キャリアテープ幅 CARRIER TAPE WIDTH	D	C	(B)	(A)	MATERIAL. NO.	極数 CKT.

SEE SHEET 1 OF 5 EC NO.: J2013-1003 DRW: AISHII 2013/02/20 CHK: KTAKAHASHI 2013/02/20 APPR: KMORIKAWA 2013/03/15	GENERAL TOLERANCES (UNLESS SPECIFIED)		DIMENSION STYLE MM ONLY		SCALE ---		DESIGN UNITS METRIC		THIRD ANGLE PROJECTION	
	10 UNDER	±0.3	DRAWN BY AISHII		DATE 2013/02/20		TITLE EMBOSS TAPE PACKAGED FOR 1.0 FPC CONN ZIF S/T HOUSING ASSY <b>molex</b> DOCUMENT NO. SD-52610-051 SHEET NO. 5 OF 5			
	10 OVER 30 UNDER	±0.25	CHECKED BY KTAKAHASHI		DATE 2013/02/20					
	30 OVER	±0.2	APPROVED BY KMORIKAWA		DATE 2013/03/15					
0	ANGULAR ±3 °	DRAFT WHERE APPLICABLE MUST REMAIN WITHIN DIMENSIONS		MATERIAL NO.		SEE CHART				