

注記 NOTES

1. 嵌合相手: 53390 シリーズ
MATE WITH : 53390 SERIES
2. ハウジングの ϕ から隣接するターミナルの ϕ 迄の位置を示す。
SHOW POSITION FROM ϕ OF HOUSING TO ϕ OF ADJACENT TERM.
ソルダテールのズレ量は、モールド底面 [H] に対し、上方向 0.05 MAX. 、
下方向 0.15 MAX. とし、相互のバラツキはモールド上面 [K] に対し、
 0.1 MAX. とする。
3. MISALIGNMENT OF SOLDER TAILS FROM [H] UPPER DIRECTION: 0.05 MAX. , LOWER DIRECTION: 0.15 MAX. OFFSET BETWEEN UPPER AND LOWER FROM [K] : 0.1 MAX.
4. 本製品は 52609-**-27 の鉛フリー品である。
THIS PRODUCT IS LEAD FREE OF 52609-**-27.

5. 使用材料 MATERIAL
ハウジング: ナイロン (PPA), UL94V-0
HOUSING: NYLON (PPA), UL94V-0
ターミナル: リン青銅 ($t=0.25$)
TERMINAL: PHOSPHER-BRONZE, ($t=0.25$)
ニッケル下地 $1\mu\text{M}$ MIN. 錫メッキ $1\mu\text{M}$ MIN.
TIN 1 MICROMETER MIN. OVER NICKEL 1 MICROMETER MIN. PLATING
金具: リン青銅 ($t=0.2$)
FITTING NAIL: PHOSPHER-BRONZE ($t=0.2$)
ニッケル下地 $1\mu\text{M}$ MIN. 錫メッキ $1\mu\text{M}$ MIN.
TIN 1 MICROMETER MIN. OVER NICKEL 1 MICROMETER MIN. PLATING

26.45	24.45	21.25	52609-1829	18
23.95	21.95	18.75	-1629	16
21.45	19.45	16.25	-1429	14
18.95	16.95	13.75	-1229	12
16.45	14.45	11.25	-1029	10
13.95	11.95	8.75	-0829	8
11.45	9.45	6.25	52609-0629	6
			C	B
			A	MATERIAL NO.
				極数 CIRCUITS

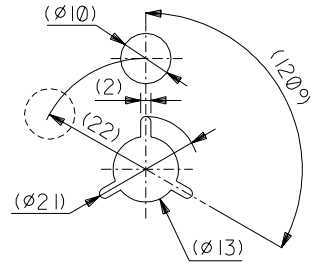
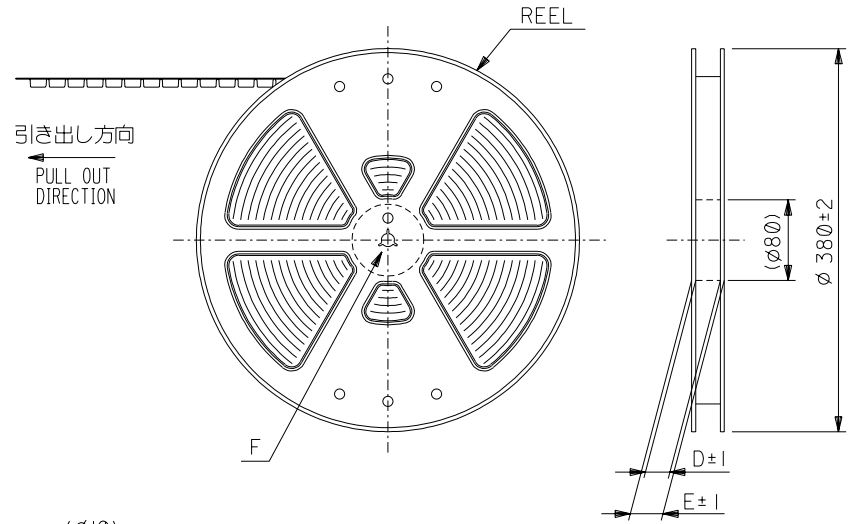
DO NOT SCALE DRAWING

EC NO. DRWN: CH'K: APPR:	EC NO. DRWN: CH'K: APPR:	EC NO. DRWN: CH'K: APPR:	EC NO. DRWN: CH'K: APPR:	EC NO. DRWN: CH'K: APPR:	RELEASED '04/04/09 EC NO. J2004-3730 DRWN: Y.SAKIYAMA CH'K: M.SASAO APPR: M.SASAO	DESCRIPTION MATERIAL 材料 SEE NOTE 5. FINISH 仕上げ SEE NOTE 5. WIRE RANGE 適用電線範囲 — INS. RANGE 被覆外径 —	GENERAL TOLERANCES: (UNLESS SPECIFIED) 一般公差 10 UNDER 未満 ±0.2 10 OVER 以上 30 UNDER 未満 ±0.25 30 OVER 以上 ±0.3 ANGLE 角度 *3°	SCALE 5 : 1 DESIGN UNITS mm INCH DRAWN BY & DATE Y. Sakiyama '04/04/09 CHECKED BY & DATE H. Sasao '04/04/09 APPROVED BY & DATE M. Sasao '04/04/09 CAD FILENAME SD-52609-005.S01	52609-**-29 MODEL NO. THIRD ANGLE PROJECTION DIMENSIONS: mm INCH mm ONLY SHT 1 REV	TITLE: 1.25 FLOATING B TO B CONN. HOUSING ASS'Y (WITHOUT BOSS) -LEAD FREE-	MATERIAL NO. DRAWING NO. SD-52609-005 SHEET NO. 1 OF 1
-----------------------------	-----------------------------	-----------------------------	-----------------------------	-----------------------------	---	--	--	---	---	---	--

THIS DRAWING CONTAINS INFORMATION THAT IS PROPRIETARY TO MOLEX INCORPORATED AND SHOULD NOT BE USED WITHOUT WRITTEN PERMISSION.

SD-52609-005.S01

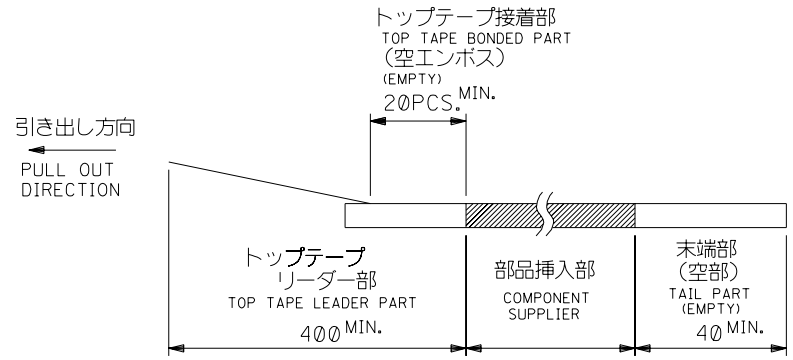
DWG. NO. SD-52609-006



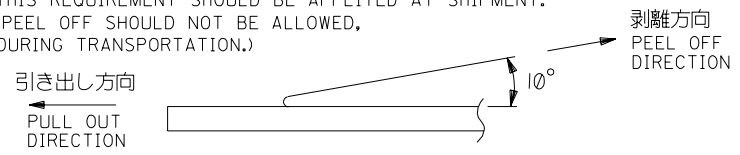
DETAIL F

注記 NOTES

- 製品番号 52609-**29の詳細寸法については図面 SD-52609-005 を参照下さい。
REFER TO SD-52609-005 DRAWING FOR DIMENSIONS OF PARTS NO. 52609-**29 IN DETAIL.
- 梱包数量：800個/リール NUMBER OF CONNECTORS: 800PCS/REEL
- リードテープ長さ LEAD TAPE LENGTH



- トップテープの剥離強度：(剥離方向は下図参照)
0.1~1.3N (10~130gf) 尚、本規格値は、出荷時に適用。(但し、輸送時に剥離が発生しない事。)
PEELING OFF FORCE OF TOP TAPE
0.1~1.3N (10~130gf) (PEELING DIRECTION AS SHOWN IN FOLLOWING FIG.)
THIS REQUIREMENT SHOULD BE APPLIED AT SHIPMENT.
(PEEL OFF SHOULD NOT BE ALLOWED, DURING TRANSPORTATION.)



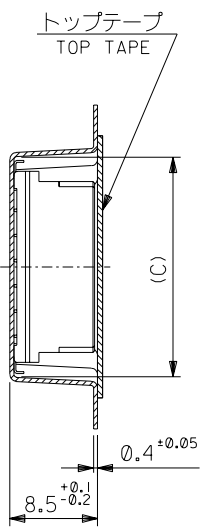
- 材料 MATERIAL
キャリアテープ：ポリアクリロニトリル CARRIER TAPE : POLYACRYLONITRILE
トップテープ：ポリエステル, ポリオレフィン TOP TAPE : POLYESTER, POLYOLEFIN
リール：ポリスチレン REEL : POLYSTYRENE
- エンボステープ内のコネクタのガタは、X、Y、Z方向に0.3mmとする(ノミナル値)。
CONNECTOR PLAY IN EMBOSSED TAPE IS 0.3mm (NOMINAL) IN X,Y,Z, DIRECTIONS.
- 1リール内でのテープのつなぎ目は無しとする。
NO JOINT OF THE EMBOSSED TAPE IN 1 REEL , IS ALLOWABLE.
- 本製品は 52609-**91 の鉛フリー品である。
THIS PRODUCT IS LEAD FREE OF 52609-**91.

DO NOT SCALE DRAWING

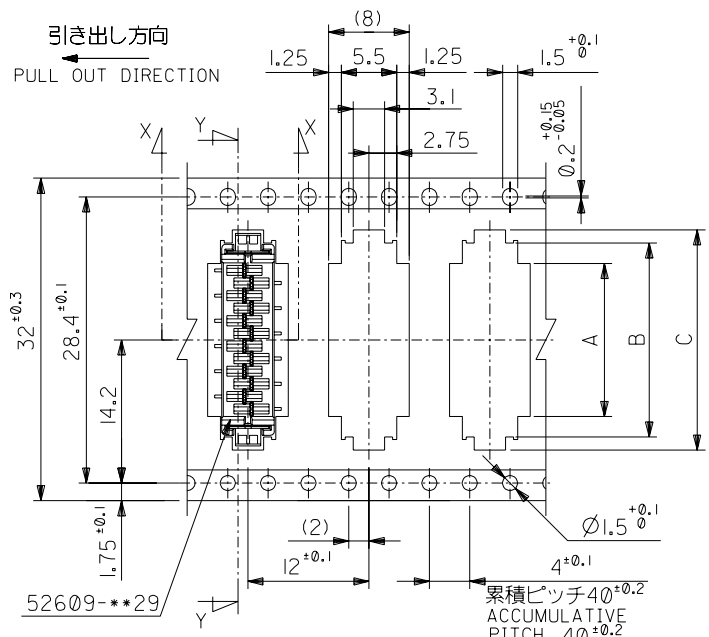
EC NO. DRAWN: CHK'g: APPR:		EC NO. DRAWN: CHK'g: APPR:		EC NO. DRAWN: CHK'g: APPR:		EC NO. DRAWN: CHK'g: APPR:		EC NO. DRAWN: CHK'g: APPR:		EC NO. J2004-3730 DRWN: Y.SAKIYAMA CHK'g: M.SASAO APPR: M.SASAO RELEASED '04/04/09		MATERIAL 材料 SEE NOTE 5.		GENERAL TOLERANCES: (UNLESS SPECIFIED) 一般公差		52609-**71 SCALE DESIGN UNITS --- mm mm INCH INCH		MODEL NO. THIRD ANGLE PROJECTION		DIMENSIONS: <input type="checkbox"/> mm <input type="checkbox"/> INCH <input checked="" type="checkbox"/> mm ONLY		SHT REV REVISE ON CAD ONLY	
												FINISH 仕上げ //		10 UNDER 未満 ±0.2 10 OVER 以上 30 UNDER 未満 ±0.25 30 OVER 以上 ±0.3		DRAWN BY & DATE Y. Sakiyama '04/04/09		TITLE: EMBOSSED TAPE PACKAGE FOR 52609-**29 -LEAD FREE-					
												WIRE RANGE 適用電線範囲 //		ANGLE 角度 3°		CHECKED BY & DATE H. Sasaki '04/04/09		MOLEX MOLEX INCORPORATED					
												INS. RANGE 被覆外径 //				APPROVED BY & DATE H. Sasaki '04/04/09		MATERIAL NO. DRAWING NO. SD-52609-006.S01 SEE CHART SD-52609-006		SHEET NO. 1 OF 2			
THIS DRAWING CONTAINS INFORMATION THAT IS PROPRIETARY TO MOLEX INCORPORATED AND SHOULD NOT BE USED WITHOUT WRITTEN PERMISSION.																				SIZE B			

DWG. NO. SD-52609-006

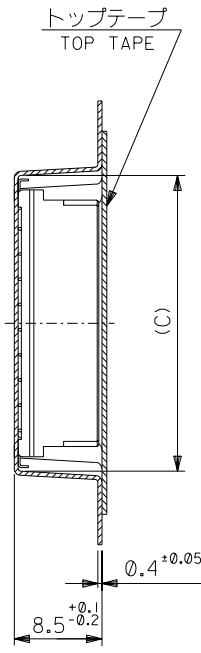
8 7 6 5 4 3 2 1



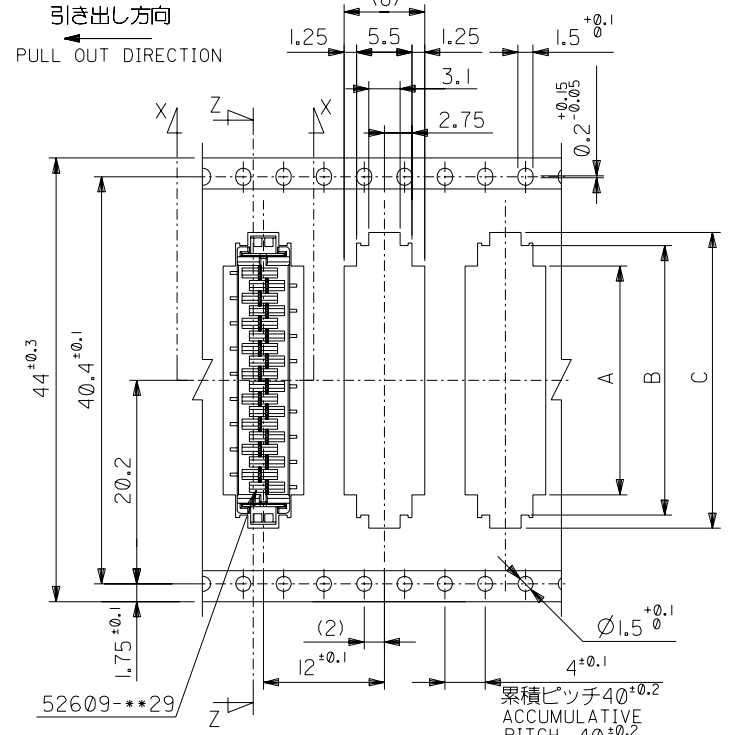
SECT. Y-Y



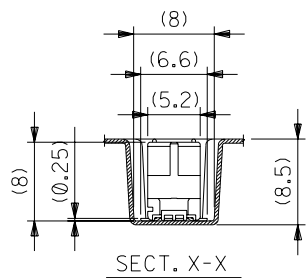
32mm幅キャリアテープ
32mm WIDTH CARRIER TAPE



SECT. Z-Z



44mm幅キャリアテープ
44mm WIDTH CARRIER TAPE



SECT. X-X

44	49.4	45.4	29.35	26.75	22.7	52609-1871	18
			26.85	24.25	20.2	-1671	16
			24.35	21.75	17.7	-1471	14
32	37.4	33.4	21.85	19.25	15.2	-1271	12
			19.35	16.75	12.7	-1071	10
			16.85	14.25	10.2	-0871	8
			14.35	11.75	7.7	52609-0671	6
キャリアテープ幅 CARRIER TAPE WIDTH	E	D	C	B	A	MATERIAL NO.	極数 CIRCUITS

DO NOT SCALE DRAWING

64NO. DRAWN: CHK: APPR:	63NO. DRAWN: CHK: APPR:	62NO. DRAWN: CHK: APPR:	61NO. DRAWN: CHK: APPR:	60NO. 02004-3730 DRAWN: Y.SAKIYAMA CHK: M.SASAO APPR: M.SASAO	MATERIAL 材料 SEE SHEET 1
66NO. DRAWN: CHK: APPR:	65NO. DRAWN: CHK: APPR:	64NO. DRAWN: CHK: APPR:	63NO. DRAWN: CHK: APPR:	62NO. DRAWN: CHK: APPR:	FINISH 仕上げ //
67NO. DRAWN: CHK: APPR:	66NO. DRAWN: CHK: APPR:	65NO. DRAWN: CHK: APPR:	64NO. DRAWN: CHK: APPR:	63NO. DRAWN: CHK: APPR:	WIRE RANGE 適用層線範囲 //
68NO. DRAWN: CHK: APPR:	67NO. DRAWN: CHK: APPR:	66NO. DRAWN: CHK: APPR:	65NO. DRAWN: CHK: APPR:	64NO. DRAWN: CHK: APPR:	INS. RANGE 被覆外径 //

RELEASED '04/04/09 68NO. 02004-3730 DRAWN: Y.SAKIYAMA CHK: M.SASAO APPR: M.SASAO	GENERAL TOLERANCES: (UNLESS SPECIFIED) 一般公差 10 UNDER 未滿 ±0.2 10 OVER 30 UNDER 未滿 ±0.25 30 OVER 以上 ±0.3 ANGLE 角度 ±3°	SCALE --- DRAWN BY & DATE Y. Sakiyama '04/04/09 CHECKED BY & DATE H. Sasa '04/04/09 APPROVED BY & DATE H. Sasa '04/04/09 CAD FILENAME SD-52609-006.S02	MODEL NO. 52609-**71 DIMENSIONS: 29RD ANGLE PROJECTION mm INCH mm ONLY SHT REV 2 OF 2
--	---	---	---

TITLE: EMBOSSD TAPE PACKAGE FOR 52609-**29 -LEAD FREE- MOLEX MOLEX INCORPORATED	MATERIAL NO. SEE CHART DRAWING NO. SD-52609-006 SHEET NO. 2 OF 2
--	---

*THIS DRAWING CONTAINS INFORMATION THAT IS PROPRIETARY TO MOLEX INCORPORATED AND SHOULD NOT BE USED WITHOUT WRITTEN PERMISSION.

SD-52609-006.S02