

注記 NOTES

1. 嵌合相手: 53390 シリーズ  
MATE WITH: 53390 SERIES
2. ハウジングの  $\phi$  から隣接するターミナルの  $\phi$  迄の位置を示す。  
SHOW POSITION FROM  $\phi$  OF HOUSING TO  $\phi$  OF ADJACENT TERM.
3. ソルダテールのズレ量は、モールド底面 [H] に対し、上方向  $0.05\text{MAX.}$ 、  
下方向  $0.15\text{MAX.}$  とし、相互のバラツキはモールド上面 [K] に対し、  
 $0.1\text{MAX.}$  とする。  
MISALIGNMENT OF SOLDER TAILS FROM [H] UPPER DIRECTION:  $0.05\text{MAX.}$ , LOWER  
DIRECTION:  $0.15\text{MAX.}$  OFFSET BETWEEN UPPER AND LOWER FROM [K]:  $0.1\text{MAX.}$
4. 本製品は 52609-\*\*27 の鉛フリー品である。  
THIS PRODUCT IS LEAD FREE OF 52609-\*\*27.

5. 使用材料 MATERIAL  
ハウジング: ナイロン (PPA), UL94V-0  
HOUSING: NYLON (PPA), UL94V-0  
ターミナル: リン青銅 ( $t=0.25$ )  
TERMINAL: PHOSPHER-BRONZE, ( $t=0.25$ )  
ニッケル下地  $1\mu\text{MIN.}$  錫メッキ  $1\mu\text{MIN.}$   
TIN 1 MICROMETER MIN. OVER NICKEL 1 MICROMETER MIN. PLATING  
金具 FITTING NAIL: リン青銅 ( $t=0.2$ )  
PHOSPHER-BRONZE ( $t=0.2$ )  
ニッケル下地  $1\mu\text{MIN.}$  錫メッキ  $1\mu\text{MIN.}$   
TIN 1 MICROMETER MIN. OVER NICKEL 1 MICROMETER MIN. PLATING

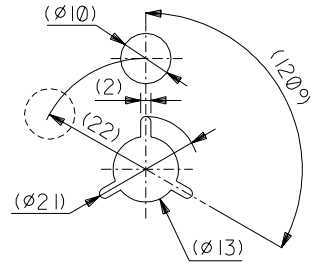
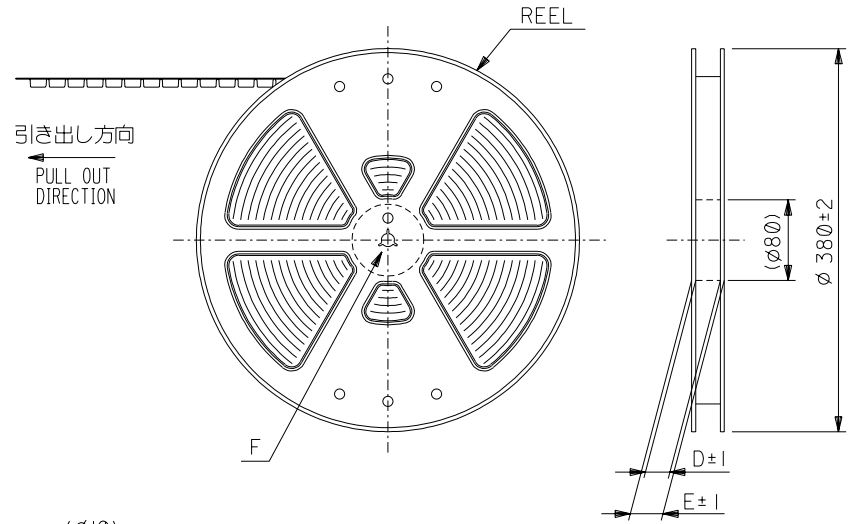
26.45	24.45	21.25	52609-1829	18
23.95	21.95	18.75	-1629	16
21.45	19.45	16.25	-1429	14
18.95	16.95	13.75	-1229	12
16.45	14.45	11.25	-1029	10
13.95	11.95	8.75	-0829	8
11.45	9.45	6.25	52609-0629	6
			C	B
			A	MATERIAL NO.
				極数 CIRCUITS

DO NOT SCALE DRAWING

EC NO. DRWN: CHK: APPR:	EC NO. DRWN: CHK: APPR:	EC NO. DRWN: CHK: APPR:	EC NO. DRWN: CHK: APPR:	EC NO. DRWN: CHK: APPR:	RELEASED '04/04/09 EC NO. J2004-3730 DRWN: Y.SAKIYAMA CHK: M.SASAO APPR: M.SASAO	DESCRIPTION MATERIAL 材料 SEE NOTE 5.	FINISH 仕上げ SEE NOTE 5.	WIRE RANGE 適用電線範囲 —	INS. RANGE 被覆外径 —	GENERAL TOLERANCES: (UNLESS SPECIFIED) 一般公差 10 UNDER 未満 ±0.2 10 OVER 30 UNDER 未満 ±0.25 30 OVER 以上 ±0.3	ANGLE 角度 3°	SCALE 5:1 DESIGN UNITS mm INCH	DRAWN BY & DATE Y. Sakiyama '04/04/09 CHECKED BY & DATE H. Sasao '04/04/09 APPROVED BY & DATE M. Sasao '04/04/09	CAD FILENAME SD-52609-005.S01	MODEL NO. THIRD ANGLE PROJECTION	DIMENSIONS: mm INCH mm ONLY	SHT 1 OF 1 REV
TITLE: 1.25 FLOATING B TO B CONN. HOUSING ASS'Y (WITHOUT BOSS) -LEAD FREE-																	
MOLEX MOLEX INCORPORATED																	
THIS DRAWING CONTAINS INFORMATION THAT IS PROPRIETARY TO MOLEX INCORPORATED AND SHOULD NOT BE USED WITHOUT WRITTEN PERMISSION.																	

SD-52609-005.S01

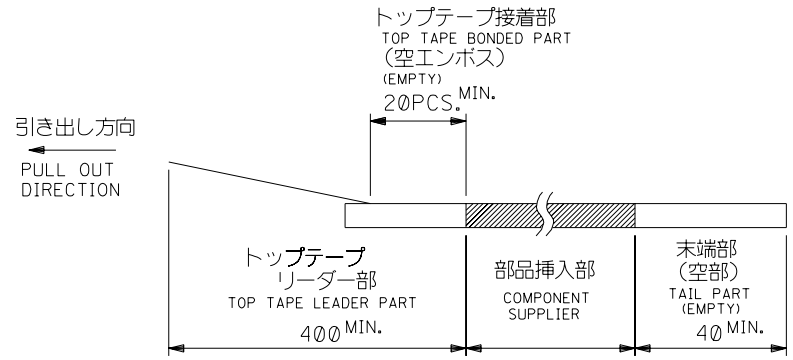
DWG. NO. SD-52609-006



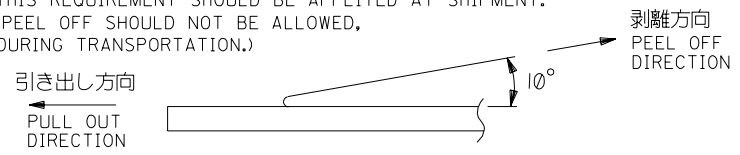
DETAIL F

注記 NOTES

- 製品番号 52609-\*\*29の詳細寸法については図面 SD-52609-005 を参照下さい。  
REFER TO SD-52609-005 DRAWING FOR DIMENSIONS OF PARTS NO. 52609-\*\*29 IN DETAIL.
- 梱包数量：800個/リール NUMBER OF CONNECTORS: 800PCS/REEL
- リードテープ長さ LEAD TAPE LENGTH



- トップテープの剥離強度：(剥離方向は下図参照)  
0.1~1.3N (10~130gf) 尚、本規格値は、出荷時に適用。(但し、輸送時に剥離が発生しない事。)  
PEELING OFF FORCE OF TOP TAPE  
0.1~1.3N (10~130gf) (PEELING DIRECTION AS SHOWN IN FOLLOWING FIG.)  
THIS REQUIREMENT SHOULD BE APPLIED AT SHIPMENT.  
(PEEL OFF SHOULD NOT BE ALLOWED, DURING TRANSPORTATION.)



5. 材料 MATERIAL

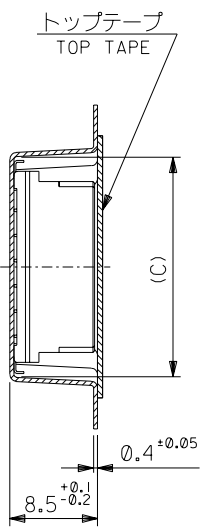
キャリアテープ：ポリアクリロニトリル CARRIER TAPE : POLYACRYLONITRILE  
 トップテープ：ポリエステル, ポリオレフィン TOP TAPE : POLYESTER, POLYOLEFIN  
 リール：ポリスチレン REEL : POLYSTYRENE

- エンボステープ内のコネクタのガタは、X、Y、Z方向に0.3mmとする(ノミナル値)。  
CONNECTOR PLAY IN EMBOSSED TAPE IS 0.3mm (NOMINAL) IN X,Y,Z, DIRECTIONS.
- 1リール内でのテープのつなぎ目は無しとする。  
NO JOINT OF THE EMBOSSED TAPE IN 1 REEL, IS ALLOWABLE.
- 本製品は 52609-\*\*91 の鉛フリー品である。  
THIS PRODUCT IS LEAD FREE OF 52609-\*\*91.

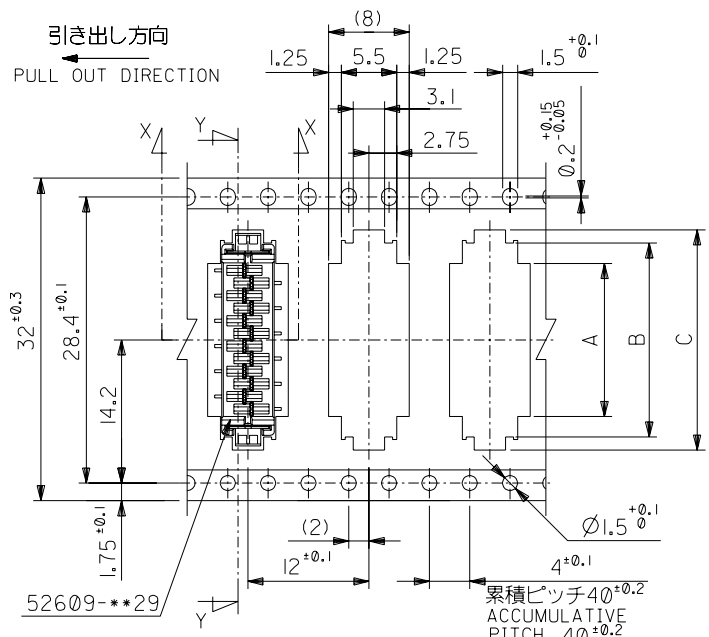
DO NOT SCALE DRAWING

EC NO. DRAWN: CHK'g: APPR:		EC NO. DRAWN: CHK'g: APPR:		EC NO. DRAWN: CHK'g: APPR:		EC NO. DRAWN: CHK'g: APPR:		EC NO. DRAWN: CHK'g: APPR:		EC NO. J2004-3730 DRWN: Y.SAKIYAMA CHK'g: MASASAO APPR: M.SASAO RELEASED '04/04/09		MATERIAL 材料 SEE NOTE 5.		GENERAL TOLERANCES: (UNLESS SPECIFIED) 一般公差		52609-**71 SCALE: --- DESIGN UNITS: <input checked="" type="checkbox"/> mm <input type="checkbox"/> INCH		MODEL NO.		DIMENSIONS: <input type="checkbox"/> mm <input type="checkbox"/> INCH <input checked="" type="checkbox"/> mm ONLY		SHT REV	
												FINISH 仕上げ //		10 UNDER 未満 ±0.2 10 OVER 30 UNDER 未満 ±0.25 30 OVER 以上 ±0.3		DRAWN BY & DATE Y. Sakiyama '04/04/09		THIRD ANGLE PROJECTION		TITLE: EMBOSSED TAPE PACKAGE FOR 52609-**29 -LEAD FREE-		REVISION ON CAD ONLY	
												WIRE RANGE 適用電線範囲 //		ANGLE 角度 ±3°		CHECKED BY & DATE H. Sasaki '04/04/09		MOLEX MOLEX INCORPORATED		APPROVED BY & DATE H. Sasaki '04/04/09			
												INS. RANGE 被覆外径 //				CAD FILENAME SD-52609-006.S01		MATERIAL NO. SEE CHART		DRAWING NO. SD-52609-006		SHEET NO. 1 OF 2	
																THIS DRAWING CONTAINS INFORMATION THAT IS PROPRIETARY TO MOLEX INCORPORATED AND SHOULD NOT BE USED WITHOUT WRITTEN PERMISSION.		SIZE B		EN-02J(097) MXJ-54			

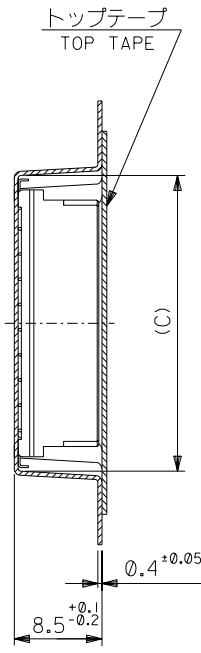
8 7 6 5 4 3 2 1



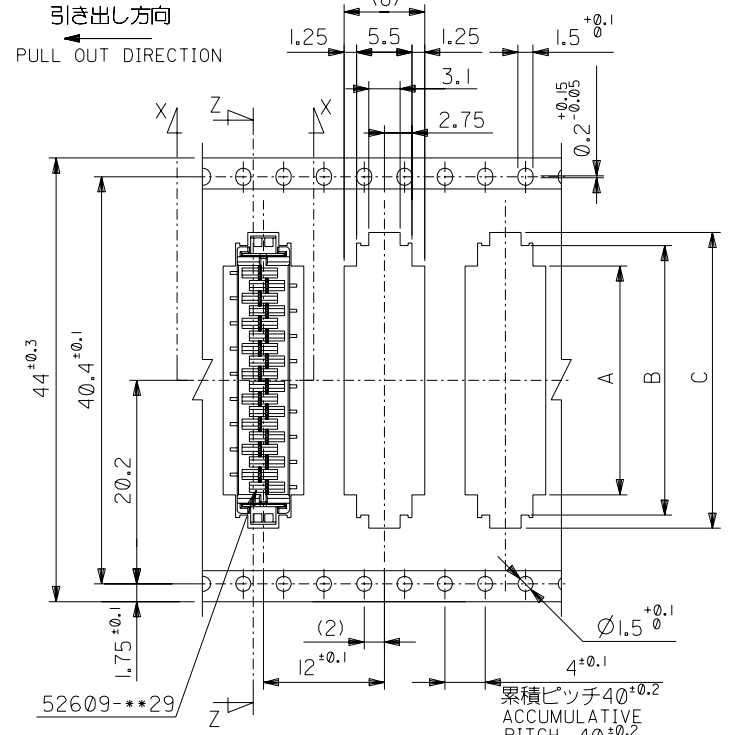
SECT. Y-Y



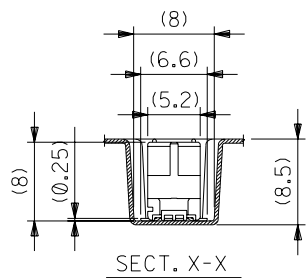
32mm幅キャリアテープ  
32mm WIDTH CARRIER TAPE



SECT. Z-Z



44mm幅キャリアテープ  
44mm WIDTH CARRIER TAPE



SECT. X-X

44	49.4	45.4	29.35	26.75	22.7	52609-1871	18
			26.85	24.25	20.2	-1671	16
			24.35	21.75	17.7	-1471	14
32	37.4	33.4	21.85	19.25	15.2	-1271	12
			19.35	16.75	12.7	-1071	10
			16.85	14.25	10.2	-0871	8
			14.35	11.75	7.7	52609-0671	6
キャリアテープ幅 CARRIER TAPE WIDTH	E	D	C	B	A	MATERIAL NO.	極数 CIRCUITS

DO NOT SCALE DRAWING

64 NO. DRWN: CH'K: APPR:	63 NO. DRWN: CH'K: APPR:	62 NO. DRWN: CH'K: APPR:	61 NO. DRWN: CH'K: APPR:	60 NO. J2004-3730 DRWN: Y.SAKIYAMA CH'K: M.SASAO APPR: M.SASAO	RELEASED '04/04/09 0
DESCRIPTION					
MATERIAL 材料					
FINISH 仕上げ					
WIRE RANGE 適用電線範囲					
INS. RANGE 被覆外径					

SEE SHEET 1	
//	
//	
//	
//	

GENERAL TOLERANCES: (UNLESS SPECIFIED) 一般公差	
10 UNDER 未満	±0.2
10 OVER 30 UNDER 未満	±0.25
30 OVER 以上	±0.3
ANGLE 角度	±3°

52609-**71	MODEL NO.	DIMENSIONS: <input type="checkbox"/> mm <input type="checkbox"/> INCH <input checked="" type="checkbox"/> mm ONLY	SHT REV
SCALE	DESIGN UNITS <input checked="" type="checkbox"/> mm <input type="checkbox"/> INCH	<input type="checkbox"/> 2ND ANGLE PROJECTION	BEVISE ON CAD ONLY
DRAWN BY & DATE Y. Sakiyama '04/04/09		TITLE: EMBOSSD TAPE PACKAGE FOR 52609-**29 -LEAD FREE-	
CHECKED BY & DATE H. Sasa '04/04/09		MOLEX MOLEX INCORPORATED	
APPROVED BY & DATE H. Sasa '04/04/09		MATERIAL NO.	DRAWING NO.
CAD FILENAME SD-52609-006.S02		SEE CHART	SD-52609-006
THIS DRAWING CONTAINS INFORMATION THAT IS PROPRIETARY TO MOLEX INCORPORATED AND SHOULD NOT BE USED WITHOUT WRITTEN PERMISSION.		SHEET NO. 2 OF 2	
		SIZE B	

SD-52609-006.S02