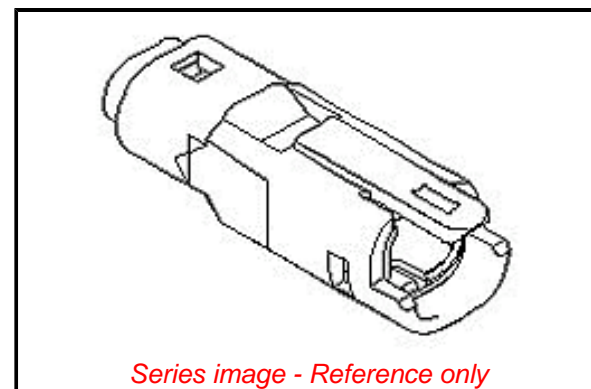


**PLEASE CHECK WWW.MOLEX.COM FOR LATEST PART INFORMATION**

**Part Number:** [0522660211](#)  
**Status:** **Active**  
**Overview:** Mizu Sealed Connectors  
**Description:** Mizu-P25 2.50mm Pitch Waterproof Wire-to-Wire Plug Housing, 2 Circuits

**Documents:**

<a href="#">3D Model</a>	<a href="#">Application Specification 522130000-AS-000 (PDF)</a>
<a href="#">Drawing (PDF)</a>	<a href="#">Application Specification AS-52213-001-001 (PDF)</a>
<a href="#">3D Model (PDF)</a>	<a href="#">Application Specification AS-52213-001-JP-001 (PDF)</a>
<a href="#">Product Specification 522130000-PS-000 (PDF)</a>	<a href="#">Packaging Specification PK-52266-001-001 (PDF)</a>
<a href="#">Product Specification PS-52213-003-001 (PDF)</a>	<a href="#">RoHS Certificate of Compliance (PDF)</a>



**Agency Certification**

UL E29179

**Application tooling part link**

Application Tooling Part Link 57147-6000  
 Application Tooling Part Link 57170-6000  
 Application Tooling Part Link 62202-4400

**General**

Product Family Crimp Housings  
 Series [52266](#)  
 Application Signal, Wire-to-Wire  
 Comments See Product Specification for maximum current rating by wire A  
 Overview [Mizu Sealed Connectors](#)  
 Product Name Mizu-P25 Waterproof, Splash Proof  
 Taxonomy Connector Housings  
 UPC 800754378765

**Physical**

Circuits (maximum) 2  
 Color - Resin Black  
 Flammability 94V-0  
 Gender Plug  
 Glow-Wire Capable No  
 Lock to Mating Part Yes  
 Material - Resin Polyester  
 Net Weight 852.700/mg  
 Number of Rows 1  
 Packaging Type Tray  
 Panel Mount No  
 Pitch - Mating Interface 2.50mm  
 Stackable No  
 Temperature Range - Operating -40° to +105°C

**Electrical**

Current - Maximum per Contact 4.0A

**Solder Process Data**

Lead-freeProcess Capability N/A

**Material Info**

**Reference - Drawing Numbers**

Application Specification 522130000-AS-000, AS-52213-001-001, AS-52213-001-JP-001

**EU ELV**

**Compliant**

**EU RoHS**

**Compliant**

**REACH SVHC**

Not Contained Per - D(2022)4187-DC (10 June 2022)

**Halogen-Free**

**Status**

**Not Low-Halogen**

For more information, please visit [Contact US](#)

China ROHS

ELV

RoHS Phthalates

**China RoHS**

Green Image

Compliant

Not Contained

**Search Parts in this Series**

[52266](#) Series

**Mates With**

Mizu-P25 Receptacle Housing [52213](#) . Mizu-P25 Female-to-Female Cable Assembly [215310](#)

**Use With**

[50147](#) Mizu-P25 Crimp Terminal

**Application Tooling | FAQ**

*Tooling specifications and manuals are found by selecting the products below. Crimp Height Specifications are then contained in the Application Tooling Specification document.*

**Global**

<b>Description</b>	<b>Product #</b>
--------------------	------------------

Sealing Cap Hand Tool	<a href="#">622024400</a>
-----------------------	---------------------------

**Japan**

<b>Description</b>	<b>Product #</b>
--------------------	------------------

Packaging Specification  
Product Specification  
Sales Drawing

PK-52266-001-001  
522130000-PS-000, PS-52213-003-001  
SD-52266-003-001

Sealing Cap	<u>571476000</u>
Attachment Tool	
Sealing Cap	<u>571706000</u>
Attachment Tool	

This document was generated on 09/04/2022

**PLEASE CHECK [WWW.MOLEX.COM](http://WWW.MOLEX.COM) FOR LATEST PART INFORMATION**