

PLEASE CHECK WWW.MOLEX.COM FOR LATEST PART INFORMATION

Part Number: [0521170342](#)
Status: **Active**
Overview: [Mizu Sealed Connectors](#)
Description: Mizu-P25 2.50mm Pitch Waterproof Wire-to-Wire Receptacle Housing, 3 Circuits, Red
Replacement Part Number : <http://www.molex.com/molex/search/partSearch?pQuery=&sType=p&query=0521160341521160341>

Documents:

3D Model	Application Specification AS-52117-001-001 (PDF)
Drawing (PDF)	Application Specification AS-52117-001-JP-001 (PDF)
3D Model (PDF)	Packaging Specification 521170000-P00 (PDF)
Product Specification PS-52117-007-001 (PDF)	RoHS Certificate of Compliance (PDF)

Agency Certification

UL E29179

Application tooling part link

Application Tooling Part Link 62202-4400

General

Product Family	Crimp Housings
Series	52117
Application	Signal, Wire-to-Wire
Overview	Mizu Sealed Connectors
Product Name	Mizu-P25 Waterproof, Splash Proof
Replacement Part Number	521160341
UPC	800753356115

Physical

Circuits (maximum)	3
Color - Resin	Red
Gender	Receptacle
Glow-Wire Capable	No
Lock to Mating Part	Yes
Material - Resin	Polyester
Net Weight	846.900/mg
Number of Rows	1
Packaging Type	Tray
Panel Mount	No
Pitch - Mating Interface	2.50mm
Stackable	No
Temperature Range - Operating	-40° to +105°C

Electrical

Current - Maximum per Contact 3.0A

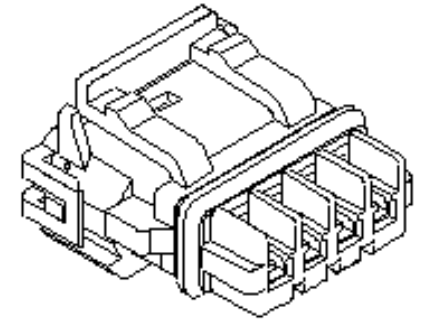
Solder Process Data

Lead-freeProcess Capability N/A

Material Info

Reference - Drawing Numbers

Application Specification	AS-52117-001-001, AS-52117-001-JP-001
Packaging Specification	521170000-P00
Product Specification	PS-52117-007-001
Sales Drawing	SD-52117-001-001



Series image - Reference only

EU ELV

Compliant

EU RoHS

Compliant

REACH SVHC

Not Contained Per -
D(2021)4569-DC (8
July 2021)

Halogen-Free

Status

Not Low-Halogen

For more information, please visit [Contact US](#)

China ROHS

ELV

RoHS Phthalates

China RoHS

Green Image

Compliant

Not Contained

Search Parts in this Series

[52117 Series](#)

Mates With

[52116 Mizu-P25 2.50mm Pitch Waterproof Wire-to-Wire Plug Housing](#)

Use With

[50039 Mizu-P25 Crimp Terminal](#)

Application Tooling | FAQ

Tooling specifications and manuals are found by selecting the products below. Crimp Height Specifications are then contained in the Application Tooling Specification document.

Global

Description

Product #

Sealing Cap Hand

[622024400](#)

Tool

This document was generated on 11/17/2021

PLEASE CHECK WWW.MOLEX.COM FOR LATEST PART INFORMATION