

**PLEASE CHECK WWW.MOLEX.COM FOR LATEST PART INFORMATION**

**Part Number:** [0521170242](#)  
**Status:** **Active**  
**Overview:** [Mizu Sealed Connectors](#)  
**Description:** Mizu-P25 5.00mm Pitch Waterproof Wire-to-Wire Receptacle Housing, 2 Circuits, Red  
**Replacement Part Number :** <http://www.molex.com/molex/search/partSearch?pQuery=&sType=p&query=0521160241521160241>

**Documents:**

<a href="#">3D Model</a>	<a href="#">Application Specification AS-52117-001-001 (PDF)</a>
<a href="#">3D Model (PDF)</a>	<a href="#">Application Specification AS-52117-001-JP-001 (PDF)</a>
<a href="#">Drawing (PDF)</a>	<a href="#">Packaging Specification 521170000-P00 (PDF)</a>
<a href="#">Product Specification PS-52117-007-001 (PDF)</a>	<a href="#">RoHS Certificate of Compliance (PDF)</a>

**Agency Certification**

UL E29179

**Application tooling part link**

Application Tooling Part Link 57131-6000  
 Application Tooling Part Link 62202-4400

**General**

Product Family Crimp Housings  
 Series [52117](#)  
 Application Signal, Wire-to-Wire  
 Overview [Mizu Sealed Connectors](#)  
 Product Name Mizu-P25 Waterproof, Splash Proof  
 Replacement Part Number [521160241](#)  
 UPC 800754368650

**Physical**

Circuits (maximum) 2  
 Color - Resin Red  
 Gender Receptacle  
 Glow-Wire Capable No  
 Lock to Mating Part Yes  
 Material - Resin Polyester  
 Net Weight 824.900/mg  
 Number of Rows 1  
 Packaging Type Tray  
 Panel Mount No  
 Pitch - Mating Interface 5.00mm  
 Stackable No  
 Temperature Range - Operating -40° to +105°C

**Electrical**

Current - Maximum per Contact 3.0A

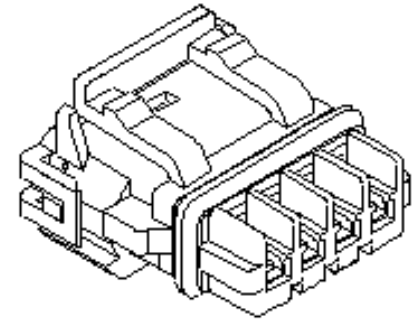
**Solder Process Data**

Lead-freeProcess Capability N/A

**Material Info**

**Reference - Drawing Numbers**

Application Specification AS-52117-001-001, AS-52117-001-JP-001  
 Packaging Specification 521170000-P00  
 Product Specification PS-52117-007-001  
 Sales Drawing SD-52117-001-001



Series image - Reference only

**EU ELV**

**Compliant**

**EU RoHS**

**Compliant**

**REACH SVHC**

Not Contained Per -  
 D(2021)4569-DC (8  
 July 2021)

**Halogen-Free**

**Status**

**Not Low-Halogen**

For more information, please visit [Contact US](#)

China ROHS

ELV

RoHS Phthalates

**China RoHS**

Green Image

Compliant

Not Contained

**Search Parts in this Series**

[52117 Series](#)

**Mates With**

[52116 Mizu-P25 2.50mm Pitch Waterproof Wire-to-Wire Plug Housing](#)

**Use With**

[50039 Mizu-P25 Crimp Terminal](#)

**Application Tooling | FAQ**

*Tooling specifications and manuals are found by selecting the products below. Crimp Height Specifications are then contained in the Application Tooling Specification document.*

**Global**

Description	Product #
-------------	-----------

Sealing Cap Hand Tool	<a href="#">622024400</a>
-----------------------	---------------------------

**Japan**

Description	Product #
-------------	-----------

Sealing Cap Attachment Tool	<a href="#">571316000</a>
-----------------------------	---------------------------

This document was generated on 11/17/2021

**PLEASE CHECK [WWW.MOLEX.COM](http://WWW.MOLEX.COM) FOR LATEST PART INFORMATION**