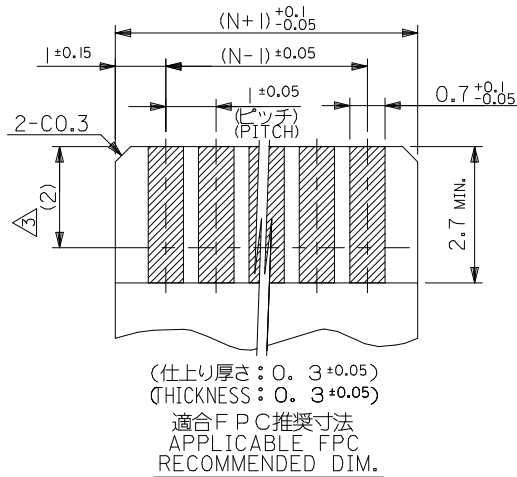
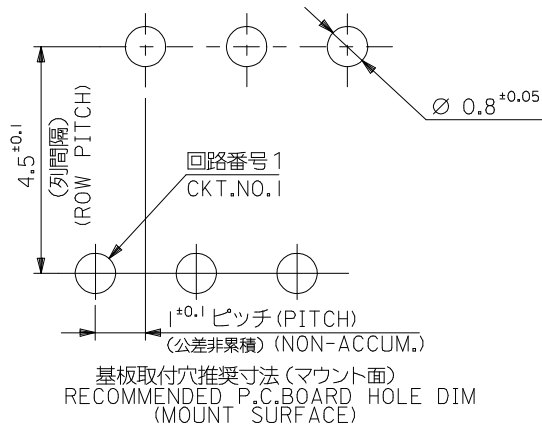


19.6	15.2	52089-1429	14
18.6	14.2	52089-1329	13
11.6	7.2	52089-0629	6
B	A	MATERIAL NO.	極数 CKT.

REVISED EC NO: J2016-1317 DRWN: YSHIBATA 2016/06/29 CHKD: Y0110 2016/06/30 APPR: Y0110 2016/06/30	GENERAL TOLERANCES (UNLESS SPECIFIED)		DIMENSION STYLE MM ONLY		SCALE ---	DESIGN UNITS METRIC	THIRD ANGLE PROJECTION
	0.25 UNDER	UNDER	±0.03	DRAWN BY AYOSHI101	DATE 2013/06/13	TITLE 1.0 FPC CONN. Z.I.F. R/A -LEAD FREE-	
	0.25 OVER	0.5 UNDER	±0.05	CHECKED BY YKOBAYASHI02	DATE 2013/06/13	molex DOCUMENT NO. SD-52089-010 SHEET NO. 1 OF 2	
	0.5 OVER	1.0 UNDER	±0.1	APPROVED BY	DATE		
	1.0 OVER	10 UNDER	±---	MATERIAL NO. SEE CHART			
10 OVER	30 UNDER	±---	SIZE A3		THIS DRAWING CONTAINS INFORMATION THAT IS PROPRIETARY TO MOLEX ELECTRONIC TECHNOLOGIES, LLC AND SHOULD NOT BE USED WITHOUT WRITTEN PERMISSION		
30 OVER		±---	DRAFT WHERE APPLICABLE MUST REMAIN WITHIN DIMENSIONS				
ANGULAR		±--- °					



注記 NOTES

- △ CKT NO.1を基準に偶数番目のソルダーテール。
EVEN NUMBER SOLDER TAIL
- △ CKT NO.1を基準に奇数番目のソルダーテール。
ODD NUMBER SOLDER TAIL
- △ 接点部までの嵌合長さ。
LENGTH TO CONTACT POINT.
- 4. 使用材料
MATERIAL
 - ハウジング : 66ナイロン, UL94V-0
HOUSING : 66NYLON, UL94V-0
 - アクチュエータ : ポリエステル, UL94V-0
ACTUATOR : POLYESTER, UL94V-0
 - ターミナル : リン青銅, ニッケル下地 錫ビスマスメッキ
TERMINAL : PHOS-BRO.TIN-BISMUTH PLATED OVER NICKEL
- △ キングはソルダーテール△の両端のみに適用。
KINK APPLIES BOTH SIDE △ TERMINALS ONLY
- 6. 本製品は 52089-***20 の鉛フリー品である。
THIS PRODUCT IS LEAD FREE OF 52089-***20

FPCについて:

打抜き方向は導体側から補強板側を推奨致します。
補強フィルム材質はポリイミドを推奨致します。
接着剤は熱硬化接着剤を推奨致します。

ABOUT FPC:

RECOMMENDED PUNCHER DIRECTION : FORM CONDUCTOR SIDE TO STIFFENER BOARD SIDE.
RECOMMENDED MATERIAL:
STIFFENER FILM : POLYIMIDE
BONDING AGENT : THERMOSETTING BONDING AGENT

REVISED EC NO: J2016-1317 DRWN: YSHIBATA CHKD: Y0110 APPR: Y0110	GENERAL TOLERANCES (UNLESS SPECIFIED)			DIMENSION STYLE MM ONLY		SCALE ---	DESIGN UNITS METRIC	THIRD ANGLE PROJECTION
	0.25 UNDER	UNDER	±0.03	DRAWN BY	DATE	TITLE		
	0.25 OVER	0.5 UNDER	±0.05	AYOSHI101	2013/06/13	1.0 FPC CONN. Z.I.F. R/A -LEAD FREE-		
	0.5 OVER	1.0 UNDER	±0.1	CHECKED BY	DATE			
	1.0 OVER	10 UNDER	±---	YKOBAYASHI02	2013/06/13			
	10 OVER	30 UNDER	±---	APPROVED BY	DATE			
30 OVER		±---	MATERIAL NO.		DOCUMENT NO.		SHEET NO.	
ANGULAR	±--- °		SEE SHEET1		SD-52089-010		2 OF 2	
DRAFT WHERE APPLICABLE MUST REMAIN WITHIN DIMENSIONS				SIZE A3	THIS DRAWING CONTAINS INFORMATION THAT IS PROPRIETARY TO MOLEX ELECTRONIC TECHNOLOGIES, LLC AND SHOULD NOT BE USED WITHOUT WRITTEN PERMISSION			