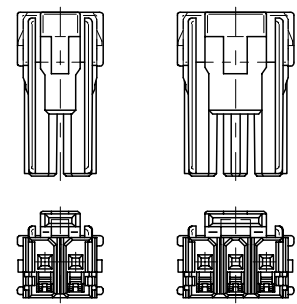
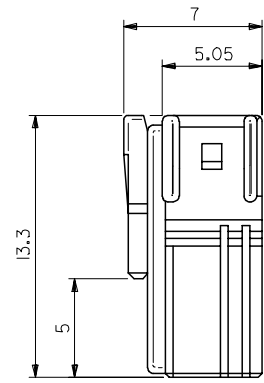
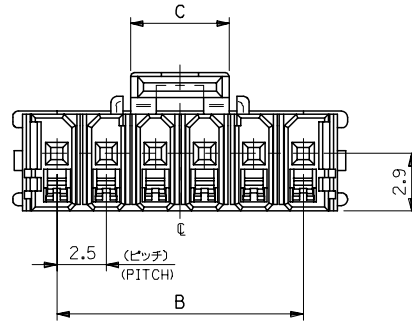
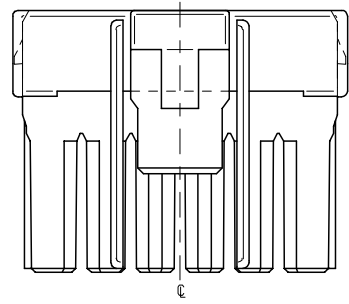
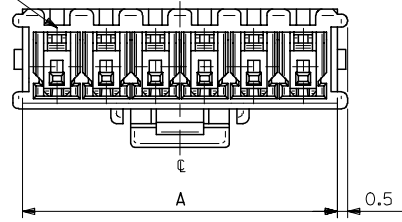


10 9 8 7 6 5 4 3 2 1

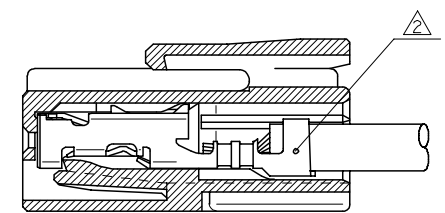
F
E
D
C
B
A

回路番号1側
CKT. NO.1



2 CKTS. 3 CKTS.

極数レイアウト図
LAYOUT OF EACH CKTS.



ターミナル装着状態図
TERMINAL ASSEMBLY DRAWING

注記
NOTES

1. 使用材料 MATERIAL
ハウジング : ポリアミド (PA66), ガラス無し, UL94V-0
(色:自然色 [白])
HOUSING : POLYAMIDE 66 (NO GLASS FILLED), UL94V-0
(COLOR : NATURAL [WHITE])
- △ 適合ターミナル : 50488シリーズ
APPLICABLE TERMINAL : 50488 SERIES
3. 嵌合相手 : 55944/55958シリーズ
MATE WITH : 55944 AND 55958 SERIES

5	25	28.5	51388-1100	11
↑	20	23.5	-0900	9
↑	17.5	21	-0800	8
↑	15	18.5	-0700	7
↑	12.5	16	-0600	6
↓	10	13.5	-0500	5
↓	7.5	11	-0400	4
↓	5	8.5	-0300	3
3	2.5	6	51388-0200	2
C	B	A	MATERIAL NO.	CKT.
51388-***00			MODEL NO.	

REVISED EC NO: J2007-0181 DRWN:THANYU 2006/07/20 CHKD: 2006/07/31 APPR: S. CHIKAWA 2006/08/04	GENERAL TOLERANCES (UNLESS SPECIFIED)		DIMENSION STYLE MM ONLY		SCALE ---	DESIGN UNITS METRIC	THIRD ANGLE PROJECTION
	10 ^{UNDER}	± ---	DRAWN BY T. YASUI	DATE 2002/12/06	TITLE 2.5 WIRE TO BOARD CONN RECEPTACLE HOUSING		
	10 ^{OVER} 30 ^{UNDER}	± ---	CHECKED BY T. ITO	DATE 2002/12/09	MOLEX INCORPORATED		
	30 ^{OVER}	± ---	APPROVED BY T. YAMAGUCHI	DATE 2002/12/09	DOCUMENT NO. SD-51388-001		
	ANGULAR	± --- °	MATERIAL NO.	SEE CHART	SHEET NO. 1 OF 1		
DRAFT WHERE APPLICABLE MUST REMAIN WITHIN DIMENSIONS		SIZE A3	THIS DRAWING CONTAINS INFORMATION THAT IS PROPRIETARY TO MOLEX INCORPORATED AND SHOULD NOT BE USED WITHOUT WRITTEN PERMISSION				