

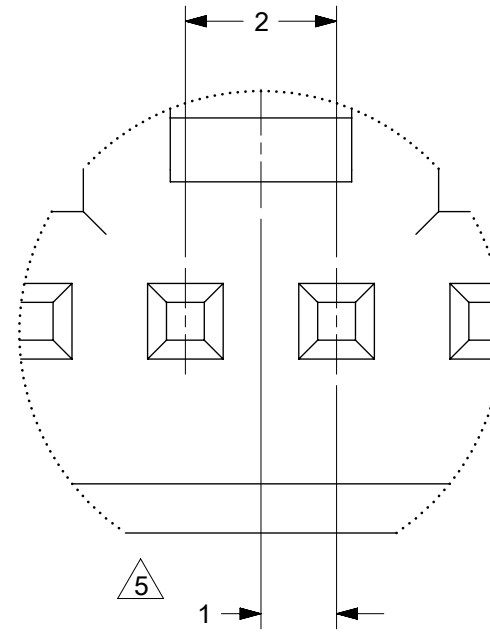
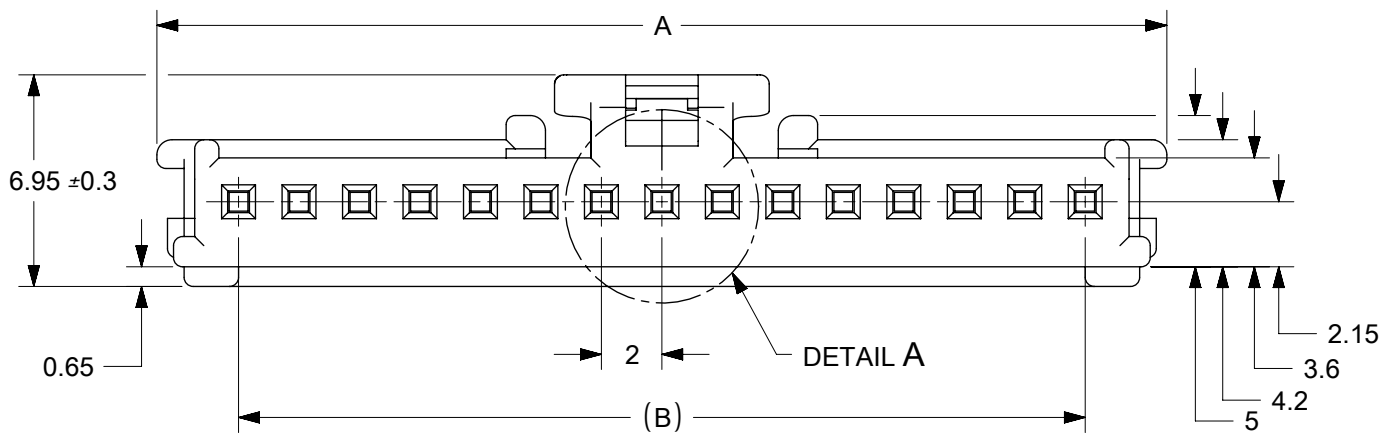
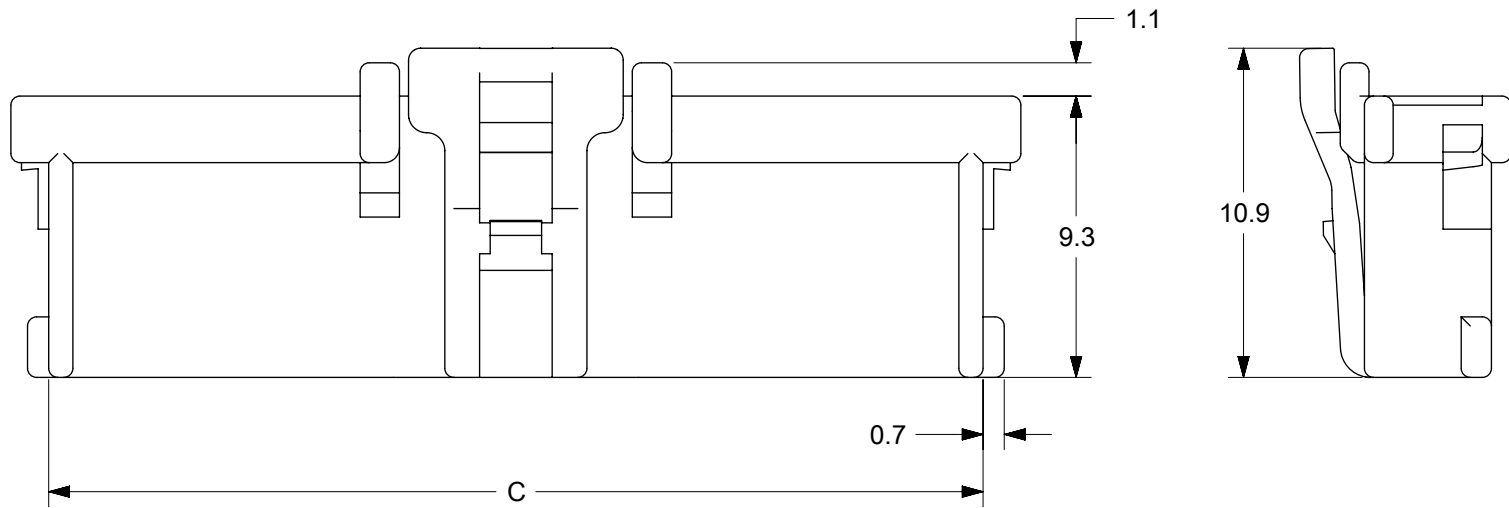
NOTES

- ① SIZE OF LETTERS 0.7 AND CLEAR.
- ② SIZE OF LETTERS 1 AND CLEAR
- 3. APPLICABLE TERM. : 59370,56134 SERIES.
- ④ MATE WITH : 55932,55935 SERIES.
- 5 APPLY EVEN CIRCUIT
- 6. MATERIAL : 66NYLON, UL94V-0
- 7. MATERIAL NO.

5138- X X X X

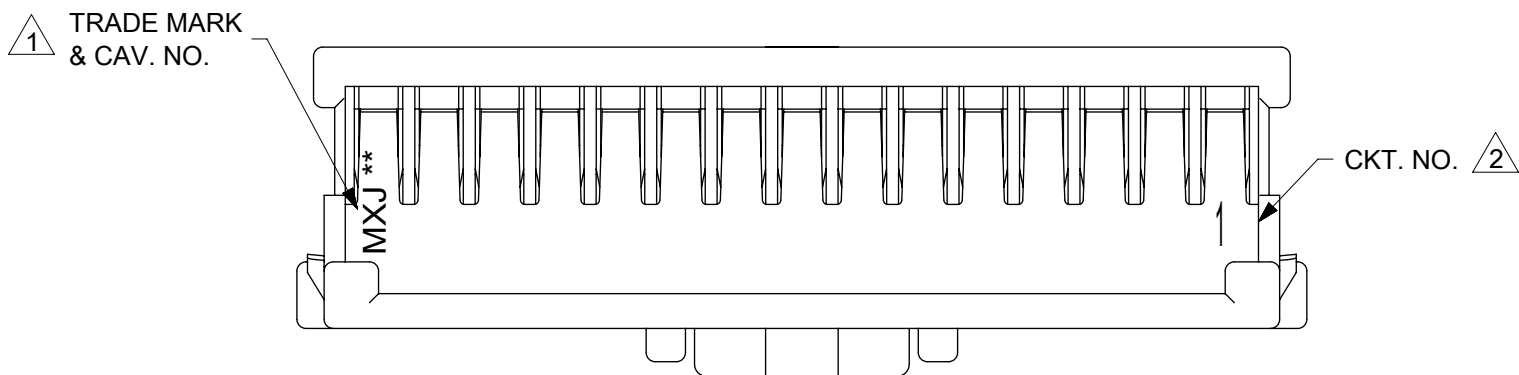
CKT COLOR

NATURAL (WHITE)	00
BLACK	01
RED	02
YELLOW	03
BLUE	04
PINK	05
GREEN	06
BROWN	07
ORANGE	08
VIOLET	09
GRAY	11
FLUORESCENCE YELLOW	13
PALE BLUE	14
① H2 YELLOWISH GREEN VO	16

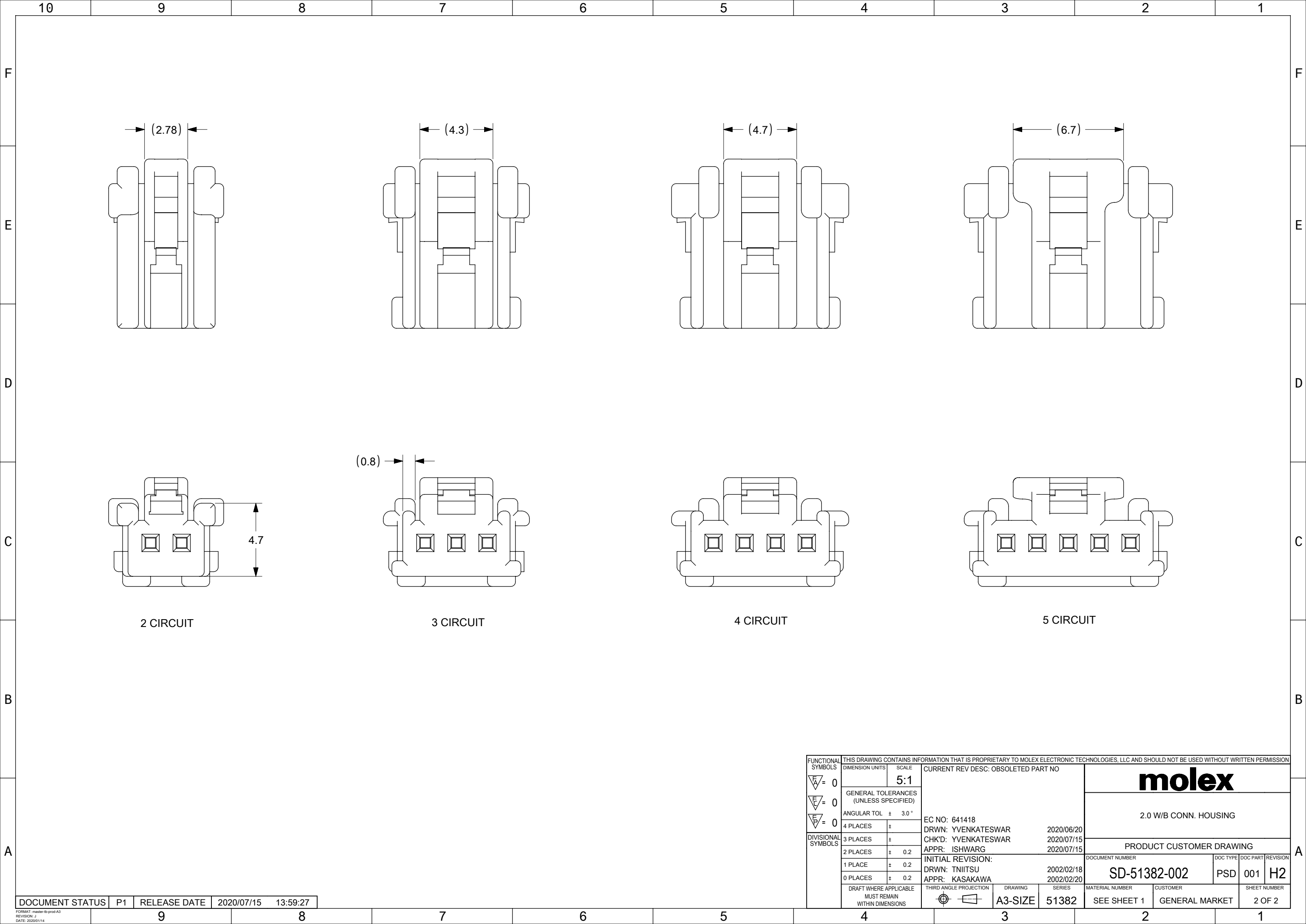


DETAIL A
SCALE 10:1

CKT	MATERIAL NO.	A	B	C
2	51382-02XX	7.4	2	4.6
3	51382-03XX	9.4	4	6.9
4	51382-04XX	11.4	6	8.9
5	51382-05XX	13.4	8	10.9
6	51382-06XX	15.4	10	12.9
7	51382-07XX	17.4	12	14.9
8	51382-08XX	19.4	14	16.9
9	51382-09XX	21.4	16	18.9
10	51382-10XX	23.4	18	20.9
11	51382-11XX	25.4	20	22.9
12	51382-12XX	27.4	22	24.9
13	51382-13XX	29.4	24	26.9
14	51382-14XX	31.4	26	28.9
15	51382-15XX	33.4	28	30.9



FUNCTIONAL SYMBOLS ▽A = 0 ▽E = 0 ▽V = 0	THIS DRAWING CONTAINS INFORMATION THAT IS PROPRIETARY TO MOLEX ELECTRONIC TECHNOLOGIES, LLC AND SHOULD NOT BE USED WITHOUT WRITTEN PERMISSION	SCALE 4:1	CURRENT REV DESC: OBSOLETE PART NO	
	GENERAL TOLERANCES (UNLESS SPECIFIED) ANGULAR TOL ± 3.0° 4 PLACES ± 3 PLACES ± 2 PLACES ± 0.2 1 PLACE ± 0.2 0 PLACES ± 0.2	EC NO: 641418 DRWN: YVENKATESWAR 2020/06/20 CHK'D: YVENKATESWAR 2020/07/15 APPR: ISHWARG 2020/07/15		
DIVISIONAL SYMBOLS	DRAFT WHERE APPLICABLE MUST REMAIN WITHIN DIMENSIONS	THIRD ANGLE PROJECTION	DRAWING A3-SIZE	SERIES 51382
INITIAL REVISION: DRWN: TNIITSU 2002/02/18 APPR: KASAKAWA 2002/02/20		DOCUMENT NUMBER SD-51382-002	DOC TYPE PSD	DOC PART 001
MATERIAL NUMBER SEE TABLE		CUSTOMER GENERAL MARKET	SHEET NUMBER 1 OF 2	



2 CIRCUIT

3 CIRCUIT

4 CIRCUIT

5 CIRCUIT

FUNCTIONAL SYMBOLS	THIS DRAWING CONTAINS INFORMATION THAT IS PROPRIETARY TO MOLEX ELECTRONIC TECHNOLOGIES, LLC AND SHOULD NOT BE USED WITHOUT WRITTEN PERMISSION		
	DIMENSION UNITS	SCALE	CURRENT REV DESC: OBSOLETE PART NO
$\nabla_A = 0$		5:1	<p>molex</p> <p>2.0 W/B CONN. HOUSING</p> <p>PRODUCT CUSTOMER DRAWING</p>
$\nabla_F = 0$	GENERAL TOLERANCES (UNLESS SPECIFIED)		
$\nabla_P = 0$	ANGULAR TOL ± 3.0°		
DIVISIONAL SYMBOLS	4 PLACES ±		
	3 PLACES ±		EC NO: 641418
	2 PLACES ± 0.2		DRWN: YVENKATESWAR 2020/06/20
	1 PLACE ± 0.2		CHK'D: YVENKATESWAR 2020/07/15
	0 PLACES ± 0.2		APPR: ISHWARG 2020/07/15
DRAFT WHERE APPLICABLE MUST REMAIN WITHIN DIMENSIONS			INITIAL REVISION:
THIRD ANGLE PROJECTION			DRWN: TNIITSU 2002/02/18
DRAWING			APPR: KASAKAWA 2002/02/20
SERIES			DOCUMENT NUMBER
A3-SIZE			SD-51382-002
MATERIAL NUMBER			DOC TYPE
SEE SHEET 1			PSD
CUSTOMER			DOC PART
GENERAL MARKET			001
SHEET NUMBER			REVISION
2 OF 2			H2