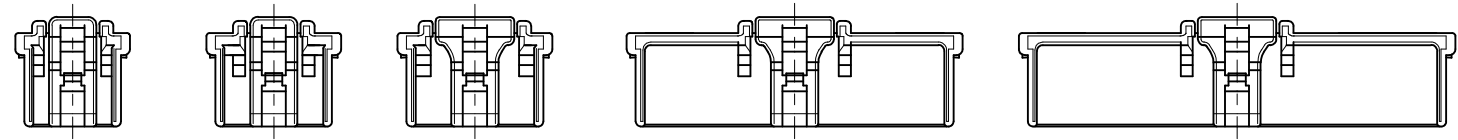
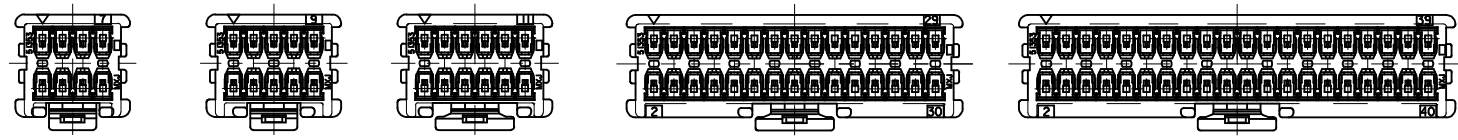
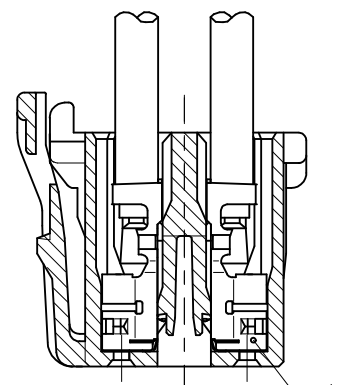


10 9 8 7 6 5 4 3 2 1



8 CIRCUIT 10 CIRCUIT 12 CIRCUIT 30 CIRCUIT 40 CIRCUIT

VIEW OF 8,10,12,30,40 CIRCUIT
(2:1)

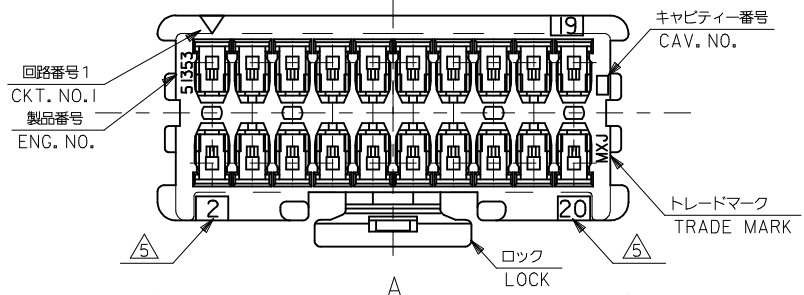


ターミナル装着状態図
TERMINAL ASSEMBLY DRAWING

REVISED EC NO.: J2016-0381 DRW: NIKIYAMADA02 2015/10/30 CHK: KASAKAWA 2015/11/11 APPR: NUKITA 2015/11/12	GENERAL TOLERANCES (UNLESS SPECIFIED)		DIMENSION STYLE MM ONLY		SCALE	51353-***10	DESIGN UNITS METRIC	MODEL NO.
	0.25 UNDER	±0.03	DRAWN BY	DATE	TITLE	2.0 W-B CONN. DUAL DIP RCPT HSG		
	0.25 OVER 0.5 UNDER	±0.05	YMAEDA	2007/06/18	THIRD ANGLE PROJECTION			
	0.5 OVER 1.0 UNDER	±0.1	CHECKED BY	DATE				
	1.0 OVER 10 UNDER	±0.2	KTOYOTA	2007/06/18				
10 OVER 30 UNDER	±0.25	APPROVED BY	DATE					
30 OVER	±0.3	NUKITA	2015/04/10	MATERIAL NO.	DOCUMENT NO.	SD-51353-003	SHEET NO. 2 OF 2	
ANGULAR	±3 °	SEE SHEET 1		THIS DRAWING CONTAINS INFORMATION THAT IS PROPRIETARY TO MOLEX INCORPORATED AND SHOULD NOT BE USED WITHOUT WRITTEN PERMISSION				
DRAFT WHERE APPLICABLE MUST REMAIN WITHIN DIMENSIONS			SIZE A3					

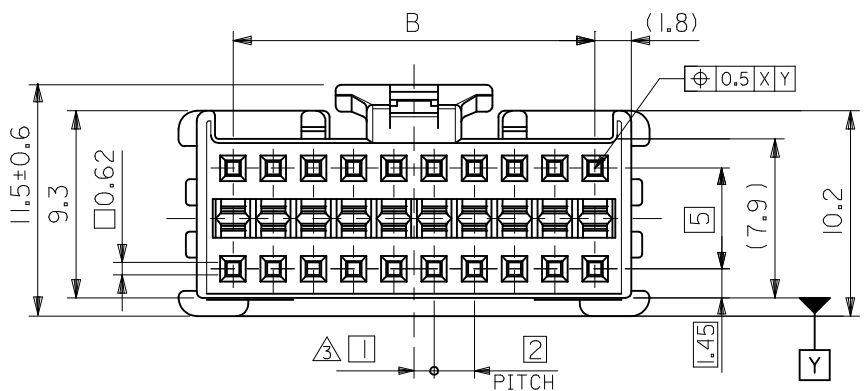
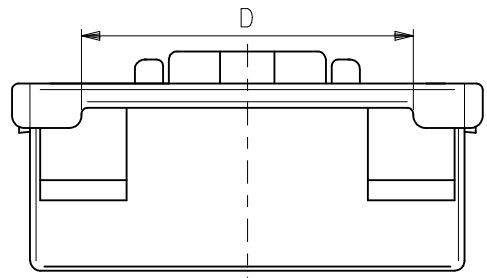
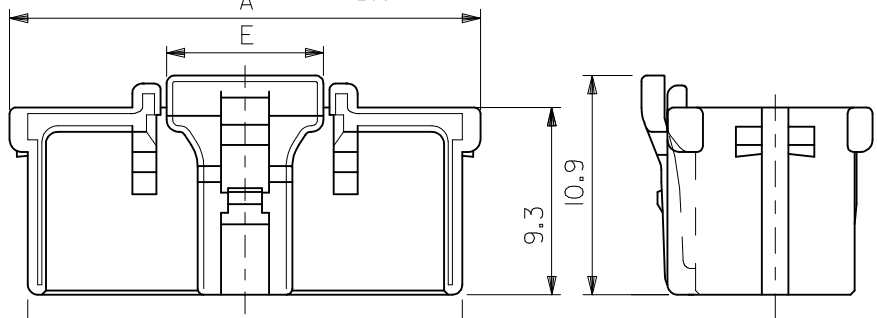
9 8 7 6 5 4 3 2 1

10 9 8 7 6 5 4 3 2 1



- 注記
NOTES
- △ 適合ターミナル : 56134-9000, 9100
APPLICABLE TERMINAL : 56134-9000, 9100
 - 2. 嵌合相手 : 55917, 55959, 501845 シリーズ
MATE WITH : 55917, 55959, 501845 SERIES
(全極数/2) = 偶数の場合に適用。
APPLY FOR (CIRCUIT/2)=EVEN
 - △ 3. 製品番号
MATERIAL NO. 51353-***1*
 - 極数 CIRCUIT SIZE 色 COL
 - △ 5. ロック側の回路番号表示は、8~14極は無し、16~40極は有り。
LOCK SIDE CKT. NO. DIDN'T INDICATED 8~14CKT
INDICATE 16~40CKT.
 - 6. 成形材料 : 66NYLON, UL94V-0

ナチュラル (白)
NATURAL (WHITE) 0



7.8	36.5	41.6	38	43.4	51353-4010	40
7.8	34.5	39.6	36	41.4	51353-3810	38
7.8	32.5	37.6	34	39.4	51353-3610	36
7.8	30.5	35.6	32	37.4	51353-3410	34
7.8	28.5	33.6	30	35.4	51353-3210	32
7.8	26.5	31.6	28	33.4	51353-3010	30
7.8	24.5	29.6	26	31.4	51353-2810	28
7.8	22.5	27.6	24	29.4	51353-2610	26
7.8	20.5	25.6	22	27.4	51353-2410	24
7.8	18.5	23.6	20	25.4	51353-2210	22
7.8	16.5	21.6	18	23.4	51353-2010	20
7.8	14.5	19.6	16	21.4	51353-1810	18
7.8	12.5	17.6	14	19.4	51353-1610	16
7.8	10.5	15.6	12	17.4	51353-1410	14
7.8	8.5	13.6	10	15.4	51353-1210	12
4.7	6.5	11.6	8	13.4	51353-1010	10
4.7	4.5	9.6	6	11.4	51353-0810	8
E	D	C	B	A	TRAY PACKAGE	極数
△ オーダー番号 ORDER NO.						CKT.

CONNECTOR SERIES NO. 51353-***10

REVISED EC NO. J2016-0381 DRW: NIKIYAMADA02 2015/10/30 CHK: KASAKAWA 2015/11/11 APPR: NUKITA 2015/11/12	GENERAL TOLERANCES (UNLESS SPECIFIED)		DIMENSION STYLE MM ONLY		SCALE	DESIGN UNITS METRIC	THIRD ANGLE PROJECTION
	0.25 UNDER	±0.03	DRAWN BY	DATE	TITLE		
	0.25 OVER 0.5 UNDER	±0.05	YMAEDA	2007/06/18	2.0 W-B CONN. DUAL DIP RCPT HSG		
	0.5 OVER 1.0 UNDER	±0.1	CHECKED BY	DATE			
	1.0 OVER 10 UNDER	±0.2	KTOYOTA	2007/06/18			
10 OVER 30 UNDER	±0.25	APPROVED BY	DATE	MATERIAL NO.	DOCUMENT NO.	SHEET NO.	
30 OVER	±0.3	NUKITA	2015/04/10	SEE TABLE	SD-51353-003	1 OF 2	
DRAFT WHERE APPLICABLE MUST REMAIN WITHIN DIMENSIONS				SIZE A3	THIS DRAWING CONTAINS INFORMATION THAT IS PROPRIETARY TO MOLEX INCORPORATED AND SHOULD NOT BE USED WITHOUT WRITTEN PERMISSION		

9 8 7 6 5 4 3 2 1