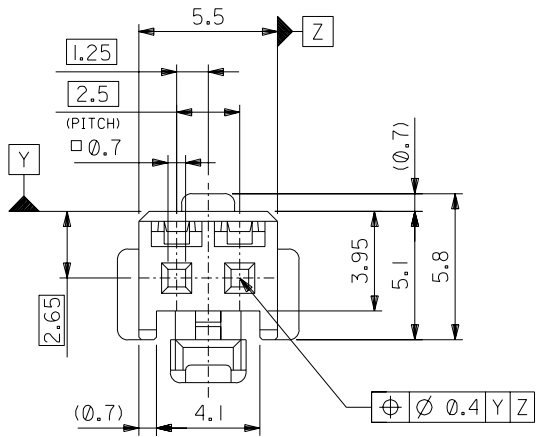
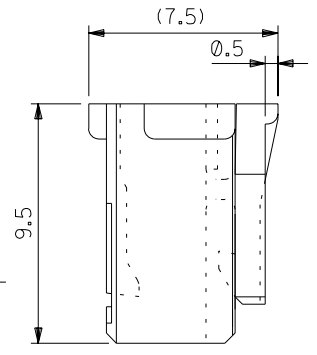
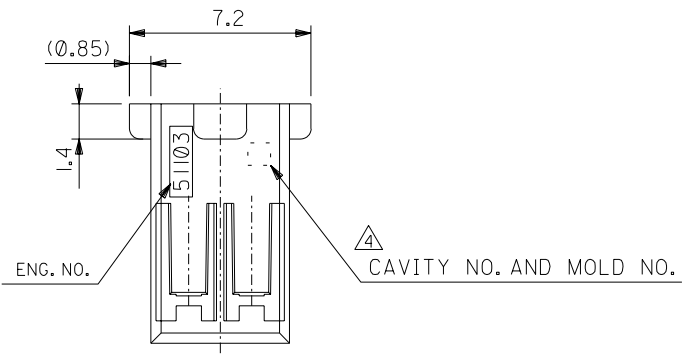
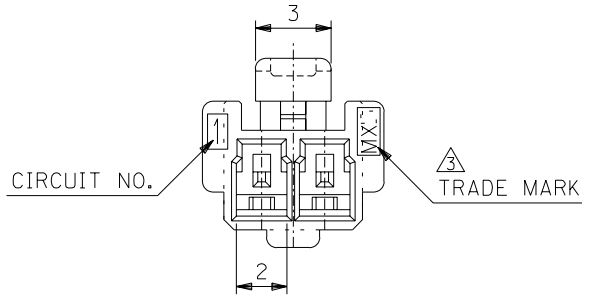


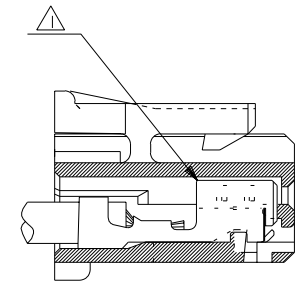
DWG. NO. SD-51103-020



注記 NOTES

- 1. 適合ターミナル：50351-8\*00  
APPLICABLE TERMINAL：50351-8\*00
- 2. 嵌合相手：53464 シリーズ  
MATE WITH：53464 SERIES.
- 3. MX Jと表示。  
INDICATE MXJ.
- 4. キャビティー番号：1桁～2桁の数字  
金型番号：アルファベット1文字にて構成。(例. 1A, 10B)  
FORMED BY 1 DIGIT TO 2 DIGIT NUMBERS (TO CAVITY NO.)  
AND BY 1 LETTER OF ALPHABET (TO MOLD NO.).  
(e.g. 1A, 10B)
- 5. 製品番号の末尾は製品の色を示す  
LAST NUMBER OF DWG.NO. MEANS PART COLLER.

51103-\*\*25  
色番号 COLLER CODE  
5 蛍光灰色 GRAY

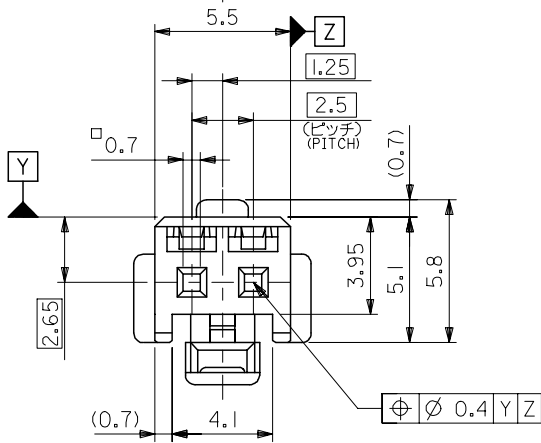
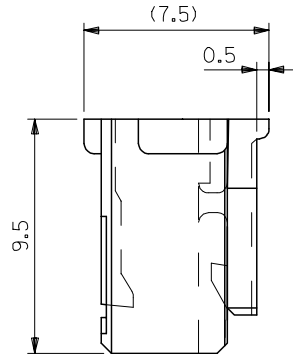
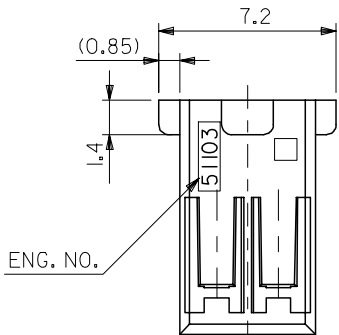
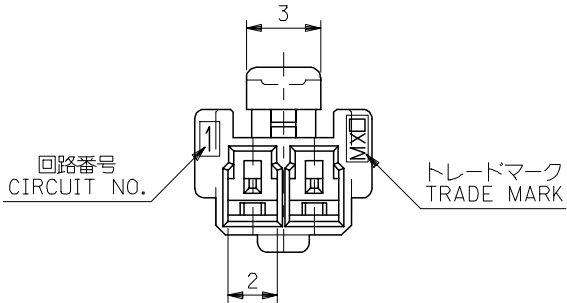


ターミナル装着状態図  
TERMINAL ASSEMBLY DRAWING

|              |                |
|--------------|----------------|
| 51103-0225   | 2              |
| MATERIAL NO. | NO. OF CIRCUIT |

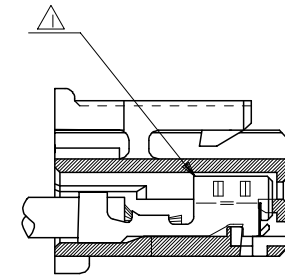
|                             |                               |                          |                          |
|-----------------------------|-------------------------------|--------------------------|--------------------------|
| DIMENSIONS:                 |                               | SHT                      | REV                      |
| <input type="checkbox"/> mm | <input type="checkbox"/> INCH | <input type="checkbox"/> | <input type="checkbox"/> |
| PROJECTION                  |                               | DRAWING ON CAD ONLY      |                          |

|                      |                              |                              |                              |                              |  |  |  |  |  |                                     |  |                          |                                  |                           |                             |                     |           |  |
|----------------------|------------------------------|------------------------------|------------------------------|------------------------------|--|--|--|--|--|-------------------------------------|--|--------------------------|----------------------------------|---------------------------|-----------------------------|---------------------|-----------|--|
| DO NOT SCALE DRAWING | 164 NO.<br>DRWN: CH'K: APPR: | 163 NO.<br>DRWN: CH'K: APPR: | 162 NO.<br>DRWN: CH'K: APPR: | 161 NO.<br>DRWN: CH'K: APPR: | RELEASED '02/11/22<br>160 NO. J2003-1451<br>DRWN: N.IITO<br>CH'K: K.ASAKAWA<br>APPR: T.YAMAGUCHI | MATERIAL 材料<br>POLYBUTYLENE TEREPHTHALATE<br>UL94V-0 | GENERAL TOLERANCES: (UNLESS SPECIFIED) 一般公差<br>10 UNDER 未満 ±0.2<br>10 OVER 以上 30 UNDER 未満 ±0.25<br>30 OVER 以上 ±0.3 | SCALE 5 : 1<br>DESIGN UNITS <input checked="" type="checkbox"/> mm <input type="checkbox"/> INCH                               | 20° 25° 30° 45° 60° 90° 120° 150° 180°<br>20° 25° 30° 45° 60° 90° 120° 150° 180°<br>20° 25° 30° 45° 60° 90° 120° 150° 180° | DRAWN BY & DATE<br>N.IITO '02/11/22 | TITLE:<br>2.5 WIRE TO BOARD CONN.<br>HOUSING (POSITIVE LOCK) | MOLEX MOLEX INCORPORATED | CAD FILENAME<br>SD-51103-020.S01 | MATERIAL NO.<br>SEE CHART | DRAWING NO.<br>SD-51103-020 | SHEET NO.<br>1 OF 1 | SIZE<br>B |  |
|                      | FINISH 仕上げ #                 |                              |                              |                              |  |  | ANGLE 角度 ±3°   | THIS DRAWING CONTAINS INFORMATION THAT IS PROPRIETARY TO MOLEX INCORPORATED AND SHOULD NOT BE USED WITHOUT WRITTEN PERMISSION. |  |                                     |  |                          |                                  |                           |                             |                     |           |  |
|                      | WIRE RANGE 適用線径範囲 #          |                              |                              |                              |  |  |  |  |  |                                     |  |                          |                                  |                           |                             |                     |           |  |
|                      | INS. RANGE 被覆外径 #            |                              |                              |                              |  |  |  |  |  |                                     |  |                          |                                  |                           |                             |                     |           |  |



注記 NOTES

- △ 適合ターミナル：5035I-8\*00  
APPLICABLE TERMINAL：5035I-8\*00
- 2. 嵌合相手：53375,53426 シリーズ  
MATE WITH：53375,53426 SERIES
- △ 偶数極の製品に適用。  
APPLY EVEN CIRCUIT PRODUCTS.
- 4. 製品型番の下1桁は色を表す。  
LAST DIGIT OF PART NUMBER INDICATES COLOR.  
0：白 WHITE    1：黒 BLACK    2：赤 RED  
3：黄 YELLOW    4：青 BLUE



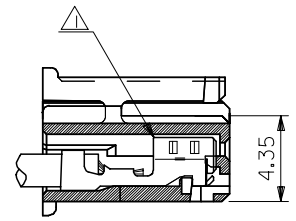
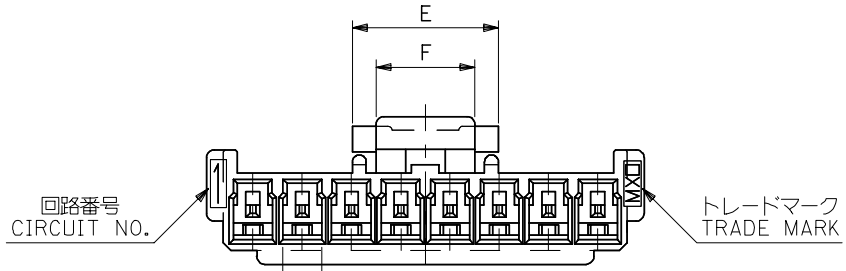
ターミナル装着状態図  
TERMINAL ASSEMBLY DRAWING

2極に適用  
FOR 2 CKTS.

|              |         |
|--------------|---------|
| 51103-020*   | 2       |
| MATERIAL NO. | CIRCUIT |

|   |                                       |           |                            |   |                    |  |                        |  |
|---|---------------------------------------|-----------|----------------------------|---|--------------------|--|------------------------|--|
| RELEASED<br>EC NO: J2005-2009<br>DRAWN: M.UMEDA 2005/02/02<br>CHKD: K.TOYODA 2005/02/04<br>APPR: N.UKITA 2005/02/14<br>REV: 0 | GENERAL TOLERANCES (UNLESS SPECIFIED) |           | DIMENSION STYLE<br>MM ONLY |   | SCALE<br>---       | DESIGN UNITS<br>METRIC                         | THIRD ANGLE PROJECTION |  |
|   | 10 UNDER                              | ±0.2      | DRAWN BY<br>M.UMEDA        |   | DATE<br>2005/01/14 | TITLE<br>2.5 W/B CONN. HOUSING (POSITIVE LOCK) |                        |  |
|   | 10 OVER 30 UNDER                      | ±0.25     | CHECKED BY<br>K.TOYODA     |   | DATE<br>2005/01/14 | MOLEX INCORPORATED                             |                        |  |
|   | 30 OVER                               | ±0.3      | APPROVED BY<br>N.UKITA     |   | DATE<br>2005/01/14 | DOCUMENT NO.<br>SD-51103-021                   |                        |  |
|   | ANGULAR                               | ±3 °      | MATERIAL NO.               |   | DATE               | SHEET NO.<br>1 OF 2                            |                        |  |
| DRAFT WHERE APPLICABLE MUST REMAIN WITHIN DIMENSIONS  |                                       | SEE CHART |                            | THIS DRAWING CONTAINS INFORMATION THAT IS PROPRIETARY TO MOLEX INCORPORATED AND SHOULD NOT BE USED WITHOUT WRITTEN PERMISSION |                    |  |                        |  |

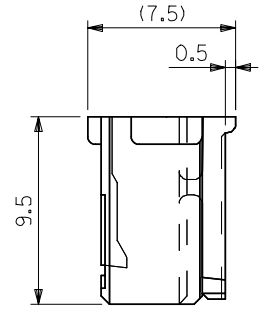
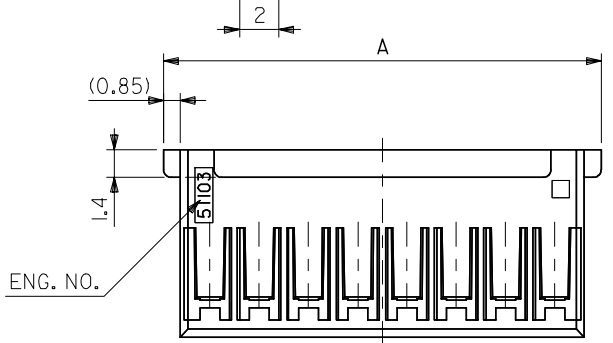
10 9 8 7 6 5 4 3 2 1



ターミナル装着状態図  
TERMINAL ASSEMBLY DRAWING

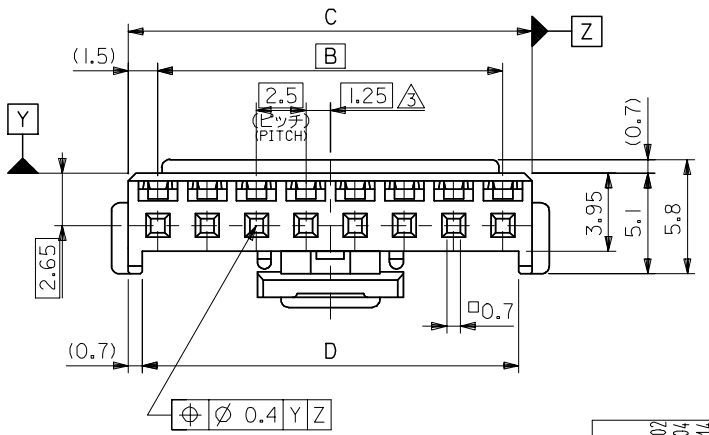
注記 NOTES

- △ 適合ターミナル：5035I-8\*00  
APPLICABLE TERMINAL：5035I-8\*00
- 2. 嵌合相手：53375,53426 シリーズ  
MATE WITH：53375,53426 SERIES
- △ 偶数極の製品に適用。  
APPLY EVEN CIRCUIT PRODUCTS.
- 4. 製品型番の下1桁は色を表す。  
LAST DIGIT OF PART NUMBER INDICATES COLOR.  
0：白 WHITE    1：黒 BLACK    2：赤 RED  
3：黄 YELLOW    4：青 BLUE



3-15 極に適用  
FOR 3-15 CKTS.

|   |     |      |      |      |      |              |         |
|---|-----|------|------|------|------|--------------|---------|
| 5 | 7.4 | 36.6 | 38   | 35   | 39.7 | 51103-150*   | 15      |
| ↑ | ↑   | 34.1 | 35.5 | 32.5 | 37.2 | ↑ -140*      | 14      |
|   |     | 31.6 | 33   | 30   | 34.7 | -130*        | 13      |
|   |     | 29.1 | 30.5 | 27.5 | 32.2 | -120*        | 12      |
|   |     | 26.6 | 28   | 25   | 29.7 | -110*        | 11      |
|   |     | 24.1 | 25.5 | 22.5 | 27.2 | -100*        | 10      |
|   |     | 21.6 | 23   | 20   | 24.7 | -090*        | 9       |
|   |     | 19.1 | 20.5 | 17.5 | 22.2 | -080*        | 8       |
|   |     | 16.6 | 18   | 15   | 19.7 | -070*        | 7       |
|   |     | 14.1 | 15.5 | 12.5 | 17.2 | -060*        | 6       |
|   |     | 11.6 | 13   | 10   | 14.7 | -050*        | 5       |
| 5 | 7.4 | 9.1  | 10.5 | 7.5  | 12.2 | ↓ -040*      | 4       |
| 3 | 5   | 6.6  | 8    | 5    | 9.7  | 51103-030*   | 3       |
| F | E   | D    | C    | B    | A    | MATERIAL NO. | CIRCUIT |



|  |  |       |                            |  |   |  |                        |
|--|--|-------|----------------------------|--|---|--|------------------------|
| RELEASED<br>EC NO: J2005-2009<br>DRAWN: MUMEDA 2005/02/07<br>CHKD: KTOYODA 2005/02/04<br>APPR: NUKITA 2005/02/14 | GENERAL TOLERANCES (UNLESS SPECIFIED)                |       | DIMENSION STYLE<br>MM ONLY |  | SCALE<br>---  | DESIGN UNITS<br>METRIC                         | THIRD ANGLE PROJECTION |
|  | 10 UNDER   | ±0.2  | DRAWN BY<br>M.UMEDA        |  | DATE<br>2005/01/14  | TITLE<br>2.5 W/B CONN. HOUSING (POSITIVE LOCK) |                        |
|  | 10 OVER 30 UNDER                                     | ±0.25 | CHECKED BY<br>KTOYODA      |  | DATE<br>2005/01/14  | MOLEX INCORPORATED                             |                        |
|  | 30 OVER  | ±0.3  | APPROVED BY<br>N. UKITA    |  | DATE<br>2005/01/14  | DOCUMENT NO.<br>SD-51103-021                   | SHEET NO.<br>2 OF 2    |
|  | ANGULAR  | ±3 °  | MATERIAL NO.<br>SEE CHART  |  |   |  |                        |
| 0  | DRAFT WHERE APPLICABLE MUST REMAIN WITHIN DIMENSIONS |       | SIZE<br>A3                 |  | THIS DRAWING CONTAINS INFORMATION THAT IS PROPRIETARY TO MOLEX INCORPORATED AND SHOULD NOT BE USED WITHOUT WRITTEN PERMISSION |  |                        |