

PLEASE CHECK WWW.MOLEX.COM FOR LATEST PART INFORMATION

Part Number: [0510481600](#)
Status: **Active**
Overview: [Board-in Connectors](#)
Description: 2.00mm Pitch Cable Holder, Vertical, Low Profile, for Ribbon Cable, 16 Circuits

Documents:

[3D Model](#) [3D Model \(PDF\)](#)
[Drawing \(PDF\)](#) [RoHS Certificate of Compliance \(PDF\)](#)

General

Product Family [Ribbon Cable / Wire Trap Connectors](#)
 Series [51048](#)
 Component Type [One Piece](#)
 Glow-Wire Capable [No](#)
 Overview [Board-in Connectors](#)
 Product Name [Board-in, Cable Holder](#)
 UPC [800753574885](#)

Physical

Circuits (Loaded) [16](#)
 Color - Resin [Natural](#)
 Entry Angle [Vertical](#)
 Lock to Mating Part [None](#)
 Material - Plating Mating [N/A](#)
 Material - Resin [Nylon](#)
 Net Weight [332.300/mg](#)
 Number of Rows [1](#)
 PCB Retention [Yes](#)
 PCB Thickness - Recommended [1.60mm](#)
 Packaging Type [Bag](#)
 Pitch - Mating Interface [2.00mm](#)
 Pitch - Termination Interface [2.00mm](#)
 Polarized to Mating Part [N/A](#)
 Polarized to PCB [No](#)
 Stackable [No](#)
 Surface Mount Compatible (SMC) [No](#)
 Temperature Range - Operating [-40° to +105°C](#)
 Wire Insulation Diameter [1.60mm max.](#)
 Wire Size AWG [26](#)
 Wire/Cable Type [Ribbon Cable](#)

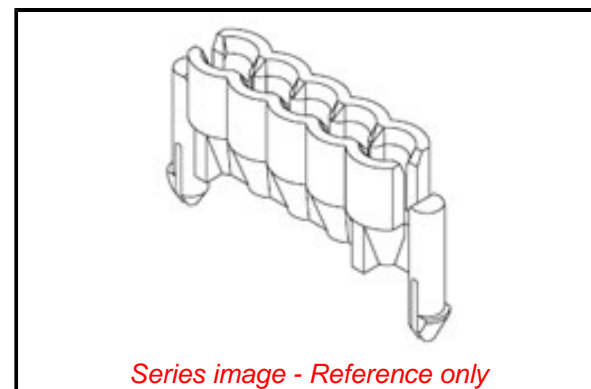
Electrical

Current - Maximum per Contact [N/A](#)
 Voltage - Maximum [N/A](#)

Material Info

Reference - Drawing Numbers

Sales Drawing [SD-51048-001](#)



EU ELV

Not Relevant

EU RoHS

Compliant

REACH SVHC

Not Contained Per -
 D(2020)9139-DC (19
 Jan 2021)

Halogen-Free

Status

Low-Halogen

For more information, please visit [Contact US](#)

China ROHS

ELV

RoHS Phthalates

China RoHS

Green Image

Not Relevant

Not Contained

Search Parts in this Series

[51048 Series](#)

Mates With

N/A

Use With

Topcoated Ribbon Cable