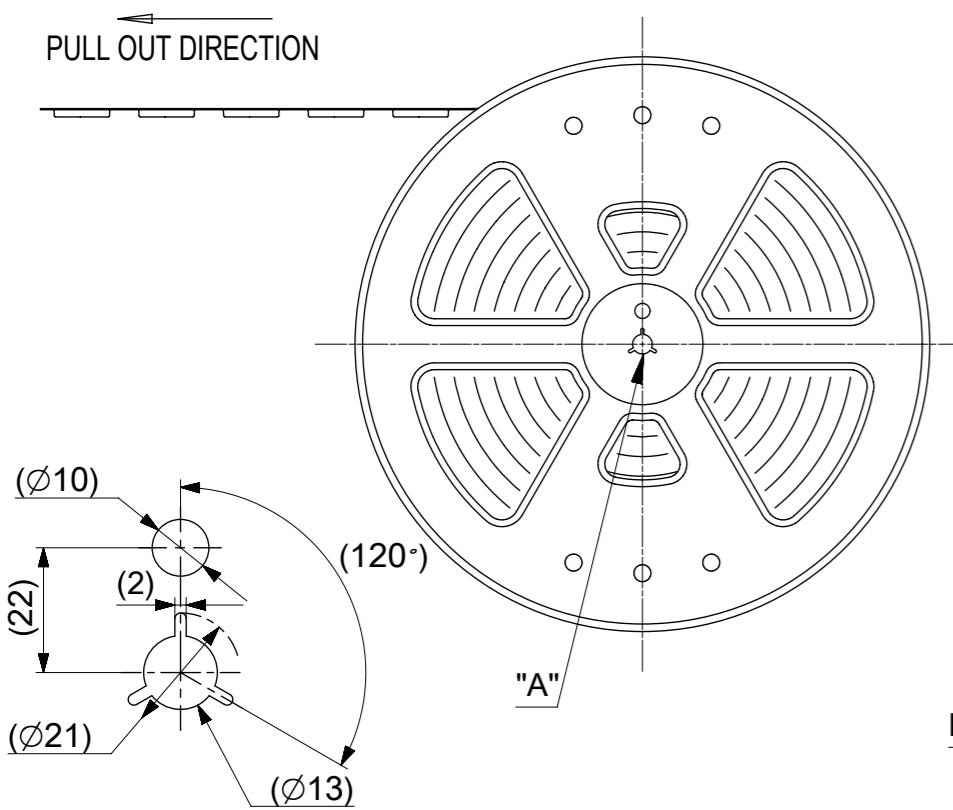
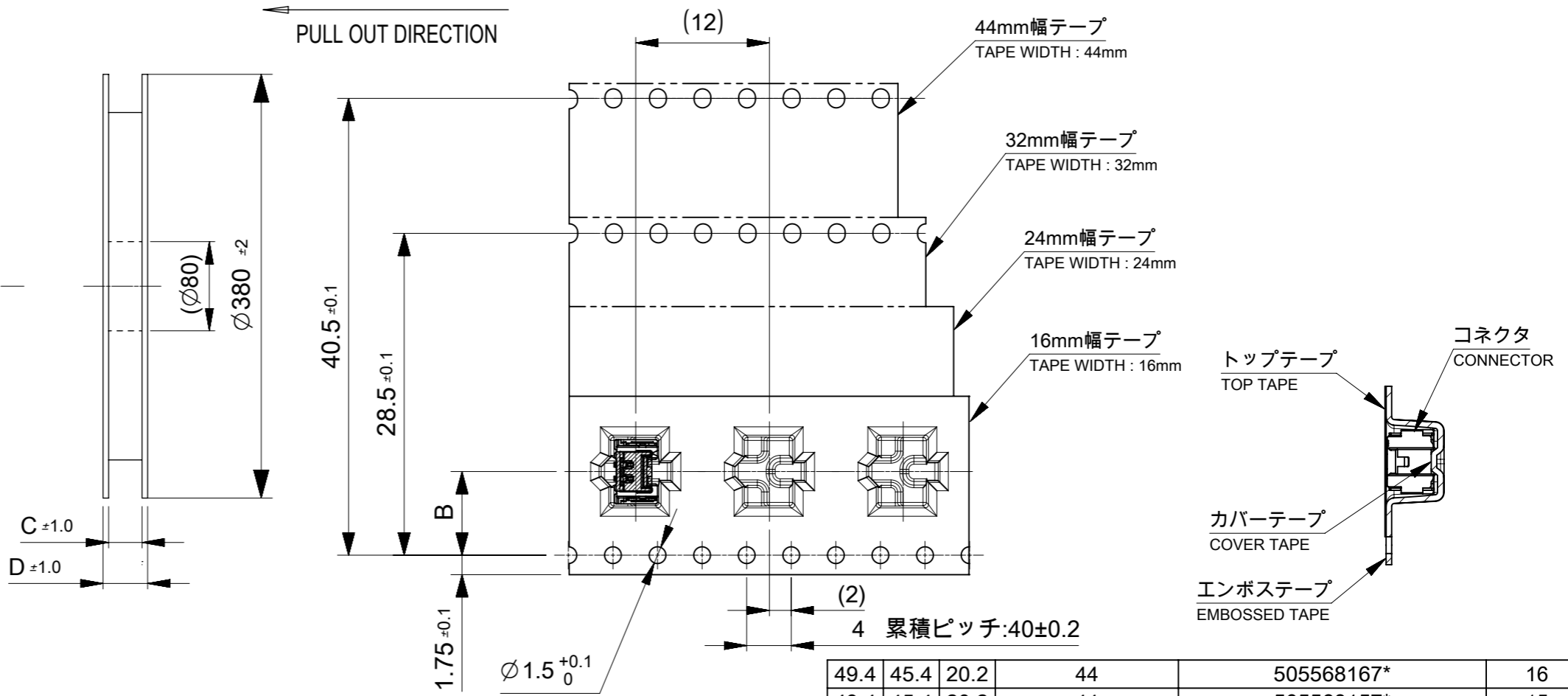


引き出し方向
PULL OUT DIRECTION



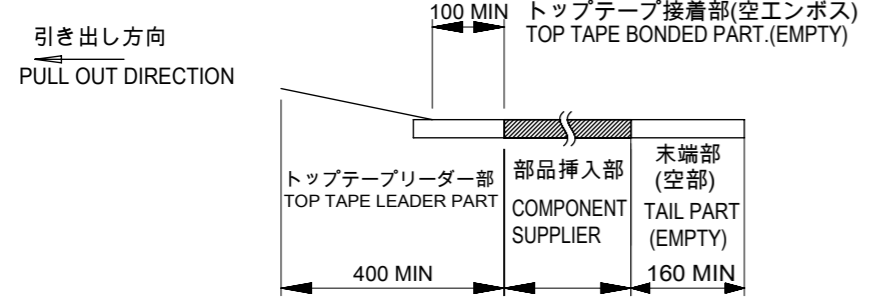
DETAIL "A"

引き出し方向
PULL OUT DIRECTION



NOTES

- 製品寸法については、製品単体図面を参照ください。
THE DETAIL DIMENSION REFER TO SALES DRAWING OG CONNECTOR ITSELF(NOT PACKAGED)
- 梱包数量：1200個 / リール
NUMBER OF CONNECTORS：1200 PCS/REEL.
- リードテープ長さ
LEAD TAPE LENGTH.



- トップテープの剥離強度はIEC60286-3に準拠
TOP TAPE PEELING FORCE IS DEFINED BY IEC60286-3

- 材料MATERIAL
キャリアテープ(CARRIER TAPE):ポリスチレン(POLYSTYRENE)
トップテープ(TOP TAPE)
リール(REEL):ポリスチレン〔リサイクル材を含む〕(PS)
POLYSTYRENE (PS)〔RECYCLE MATERIAL CONTAINED〕

49.4	45.4	20.2	44	505568167*	16
49.4	45.4	20.2	44	505568157*	15
49.4	45.4	20.2	44	505568147*	14
37.4	33.4	14.2	32	505568137*	13
37.4	33.4	14.2	32	505568127*	12
37.4	33.4	14.2	32	505568117*	11
37.4	33.4	14.2	32	505568107*	10
29.4	25.4	11.5	24	505568097*	9
29.4	25.4	11.5	24	505568087*	8
29.4	25.4	11.5	24	505568077*	7
29.4	25.4	11.5	24	505568067*	6
29.4	25.4	11.5	24	505568057*	5
29.4	25.4	11.5	24	505568047*	4
21.4	17.4	7.5	16	505568037*	3
21.4	17.4	7.5	16	505568027*	2
D	C	B	エンボステープ幅 WIDTH OF TAPE A	エンボス梱包 EMBOSSED TAPE PACKAGE オーダー番号 ORDER NO.	極数 CKT NO.

THIS DRAWING CONTAINS INFORMATION THAT IS PROPRIETARY TO MOLEX ELECTRONIC TECHNOLOGIES, LLC AND SHOULD NOT BE USED WITHOUT WRITTEN PERMISSION

REDRAWN EC NO: 121145 DRWN: RWATANABE01 CHK'D: KOMURAKAMI APPR: TKANEKO	2017/08/28 2017/09/26 2017/09/26	GENERAL TOLERANCES (UNLESS SPECIFIED) ANGULAR TOL ± 1.0 °	DIMENSION UNITS: mm SCALE: NTS		
	4 PLACES ± 0.2 3 PLACES ± 0.2 2 PLACES ± 0.2 1 PLACE ± 0.2 0 PLACES ± 0.2	DRAFT WHERE APPLICABLE MUST REMAIN WITHIN DIMENSIONS	DRWN BY: RWATANABE01 DATE: 2017/08/28		CHK'D BY: KOMURAKAMI DATE: 2017/09/26
	APPR BY: TKANEKO DATE: 2017/09/26		DRAWING SIZE: A3 THIRD ANGLE PROJECTION		SERIES: 505568 MATERIAL NUMBER: SEE SHEET2 CUSTOMER: GENERAL
	PRODUCT CUSTOMER DRAWING		DOCUMENT NUMBER: 5055680000-SD DOC TYPE: PSD DOC PART: 000 SHEET NUMBER: 1 OF 2		MICRO-LOCK PLUS 1.25 W/B SINGLE ROW ST SMT EMBOSSED TAPE PKG
	RELEASE STATUS: P1 RELEASE DATE: 26.09.2017 09:30:55				

E

D


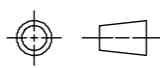
C

B

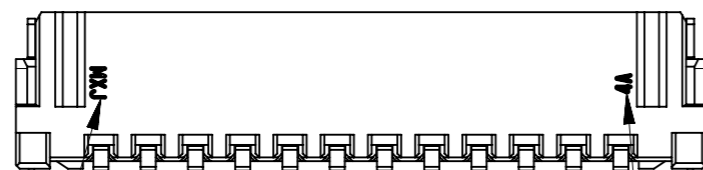
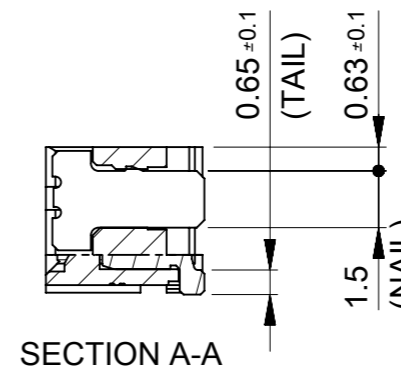
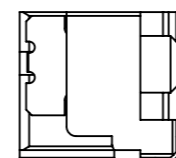
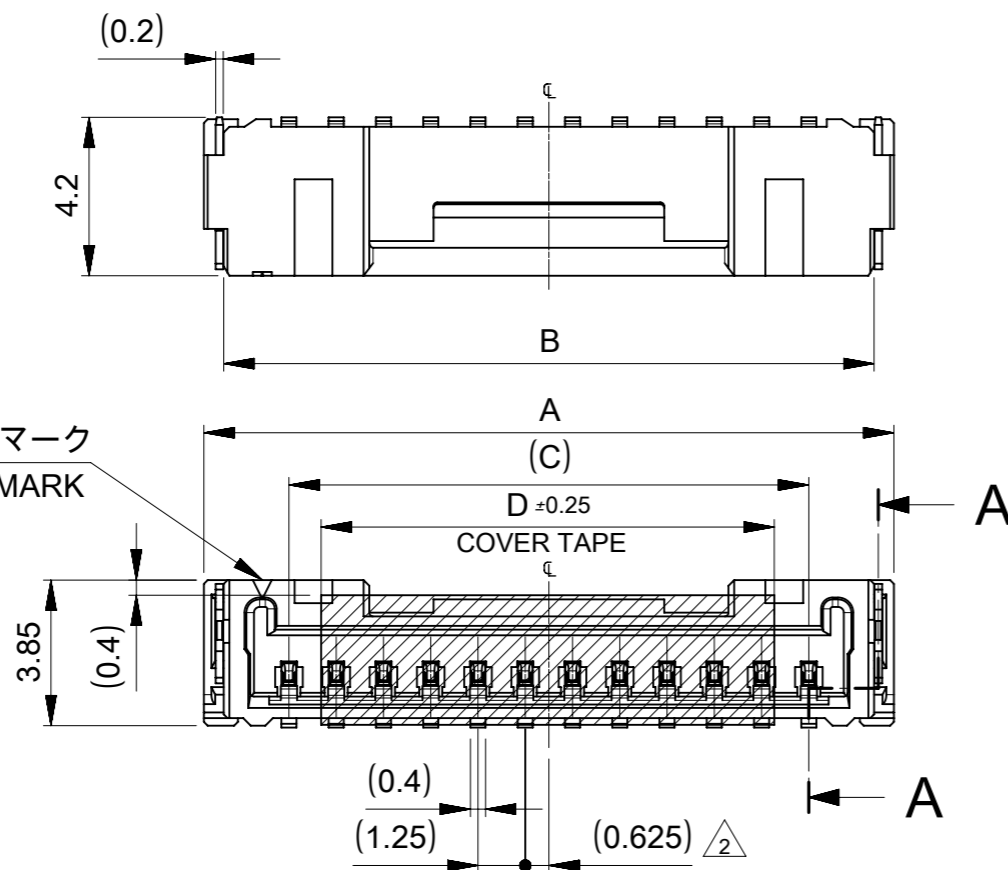
A

ORANGE	GREEN	BLUE	YELLOW	RED	BLACK	NATURAL (BEIGE)	HSG COLOR
5055681678	5055681676	5055681674	5055681673	5055681672	5055681671	5055681670	16
5055681578	5055681576	5055681574	5055681573	5055681572	5055681571	5055681570	15
5055681478	5055681476	5055681474	5055681473	5055681472	5055681471	5055681470	14
5055681378	5055681376	5055681374	5055681373	5055681372	5055681371	5055681370	13
5055681278	5055681276	5055681274	5055681273	5055681272	5055681271	5055681270	12
5055681178	5055681176	5055681174	5055681173	5055681172	5055681171	5055681170	11
5055681078	5055681076	5055681074	5055681073	5055681072	5055681071	5055681070	10
5055680978	5055680976	5055680974	5055680973	5055680972	5055680971	5055680970	9
5055680878	5055680876	5055680874	5055680873	5055680872	5055680871	5055680870	8
5055680778	5055680776	5055680774	5055680773	5055680772	5055680771	5055680770	7
5055680678	5055680676	5055680674	5055680673	5055680672	5055680671	5055680670	6
5055680578	5055680576	5055680574	5055680573	5055680572	5055680571	5055680570	5
5055680478	5055680476	5055680474	5055680473	5055680472	5055680471	5055680470	4
5055680378	5055680376	5055680374	5055680373	5055680372	5055680371	5055680370	3
5055680278	5055680276	5055680274	5055680273	5055680272	5055680271	5055680270	2
EMBOSSED TAPE PKG	EMBOSSED TAPE PKG	EMBOSSED TAPE PKG	EMBOSSED TAPE PKG	EMBOSSED TAPE PKG	EMBOSSED TAPE PKG	EMBOSSED TAPE PKG	極数 CKT NO.
ORDER NO.	ORDER NO.	ORDER NO.	ORDER NO.	ORDER NO.	ORDER NO.	ORDER NO.	

THIS DRAWING CONTAINS INFORMATION THAT IS PROPRIETARY TO MOLEX ELECTRONIC TECHNOLOGIES, LLC AND SHOULD NOT BE USED WITHOUT WRITTEN PERMISSION

REDRAWN EC NO: 121145 DRWN: RWATANABE01 CHK'D: KOMURAKAMI REV APPR: TKANEKO	2017/08/28	GENERAL TOLERANCES (UNLESS SPECIFIED)		DIMENSION UNITS	SCALE				
	2017/09/26	ANGULAR TOL ± 1.0 °		mm	NTS				
	2017/09/26	4 PLACES ± 0.2	DRWN BY	DATE	MICRO-LOCK PLUS 1.25 W/B SINGLE ROW ST SMT EMBOSSED TAPE PKG				
		3 PLACES ± 0.2	RWATANABE01	2017/08/28					
		2 PLACES ± 0.2	CHK'D BY	DATE					
	1 PLACE ± 0.2	KOMURAKAMI	2017/09/26	PRODUCT CUSTOMER DRAWING					
	0 PLACES ± 0.2	APPR BY	DATE						
		TKANEKO	2017/09/26	DRAWING SIZE	THIRD ANGLE PROJECTION	SERIES	MATERIAL NUMBER	CUSTOMER	
				A3		505568	SEE SHEET2	GENERAL	
						DOCUMENT NUMBER	DOC TYPE	DOC PART	SHEET NUMBER
						5055680000-SD	PSD	000	2 OF 2

回路番号1 マーク
CKT No.1 MARK



奇数キャビティ : キャビティ番号及び金型番号
偶数キャビティ : トレードマーク
ODD CAVITY:CAVITY AND MOLD NO.
EVEN CAVITY:TRADE MARK

奇数キャビティ : トレードマーク
偶数キャビティ : キャビティ番号及び金型番号
ODD CAVITY:TRADE MARK
EVEN CAVITY:CAVITY AND MOLD NO.

NOTES:

1. 嵌合相手 : 505565**0*
MATE WITH: 505565**0*
2. 偶数極に適用
APPLY FOR EVEN CKT.
3. 製品仕様書 : 5055650000 PS 000
PRODUCT SPECIFICATION:5055650000 PS 000
4. オーダー番号と色、極数の関係
RELATION ORDER NUMBER AND COLOR, CKT.

505568**7*

極数	色	NO.	COLOR
0		0	NATURAL
1		1	BLACK
2		2	RED
3		3	YELLOW
4		4	BLUE
6		6	GREEN
8		8	ORANGE

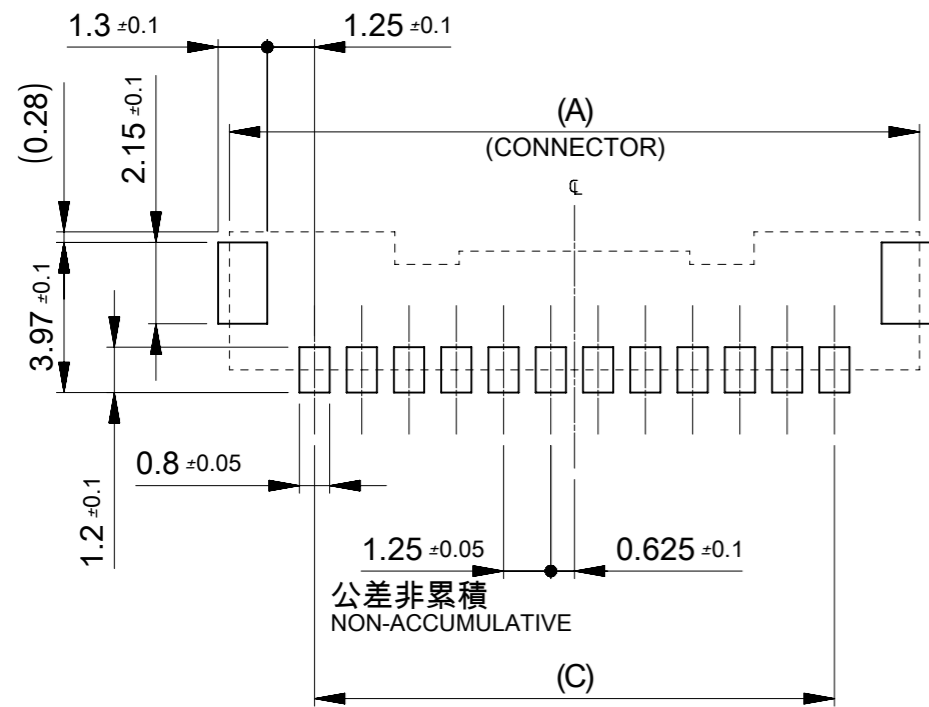
5. ターミナルとネイルの平坦度は0.1mm以下
TERMINAL AND NAIL COPLANARITY : 0.1mm MAX.

12	18.75	22.20	23.25	505568167*	16
12	17.50	20.95	22.00	505568157*	15
12	16.25	19.70	20.75	505568147*	14
12	15.00	18.45	19.50	505568137*	13
12	13.75	17.20	18.25	505568127*	12
12	12.50	15.95	17.00	505568117*	11
12	11.25	14.70	15.75	505568107*	10
10	10.00	13.45	14.50	505568097*	9
8	8.75	12.20	13.25	505568087*	8
8	7.50	10.95	12.00	505568077*	7
8	6.25	9.70	10.75	505568067*	6
8	5.00	8.45	9.50	505568057*	5
7	3.75	7.20	8.25	505568047*	4
5	2.50	5.95	7.00	505568037*	3
5	1.25	4.70	5.75	505568027*	2
D	C	B	A	EMBOSSED TAPE PKG ORDER NO.	極数 CKT NO.

部品 PART	材質 MATERIAL
ハウジング HOUSING	ポリアミド(PA),ガラス充填,UL94 V-0,色 : SHEET 2参照 POLYAMIDE (PA),GLASS FILLED,UL94 V-0,COLOR:SEE SHEET 2
ターミナル TERMINAL	黄銅 BRASS
	錫ビスマスめっき : 1.0 MICRO-METER MIN. TIN-BISMUTH PLATED (MATTE TIN)
ネイル NAIL	ニッケルめっき(下地) : 1.0 MICRO-METER MIN. NICKEL (UNDER-PLATED)
	黄銅 BRASS
	錫めっき : 1.0 MICRO-METER MIN. TIN PLATED(MATTE TIN)
	ニッケルめっき(下地) : 1.0 MICRO-METER MIN. NICKEL (UNDER-PLATED)

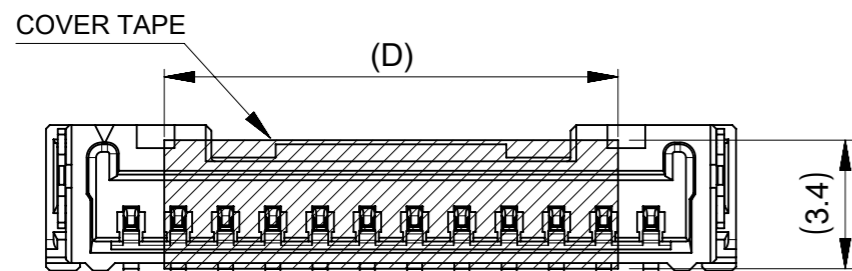
THIS DRAWING CONTAINS INFORMATION THAT IS PROPRIETARY TO MOLEX ELECTRONIC TECHNOLOGIES, LLC AND SHOULD NOT BE USED WITHOUT WRITTEN PERMISSION

REDRAWN EC NO: 121145 DRWN: RWATANABE01 CHK'D: KOMURAKAMI REV APPR: TKANEKO	2017/08/25	2017/09/26	2017/09/26	GENERAL TOLERANCES (UNLESS SPECIFIED)	DIMENSION UNITS	SCALE		
	4 PLACES	± 0.2	DRWN BY		DATE	mm		5:1
	3 PLACES	± 0.2	CHK'D BY		DATE	ANGULAR TOL ± 1.0 °		
	2 PLACES	± 0.2	KOMURAKAMI		2017/09/26	4 PLACES ± 0.2		
1 PLACE	± 0.2	TKANEKO	2017/09/26	3 PLACES ± 0.2				
0 PLACES	± 0.2	DRAFT WHERE APPLICABLE MUST REMAIN WITHIN DIMENSIONS		DRAUGHTING SIZE				
A	REV	A3		THIRD ANGLE PROJECTION				
RELEASE STATUS		P1	RELEASE DATE	26.09.2017	09:30:56			

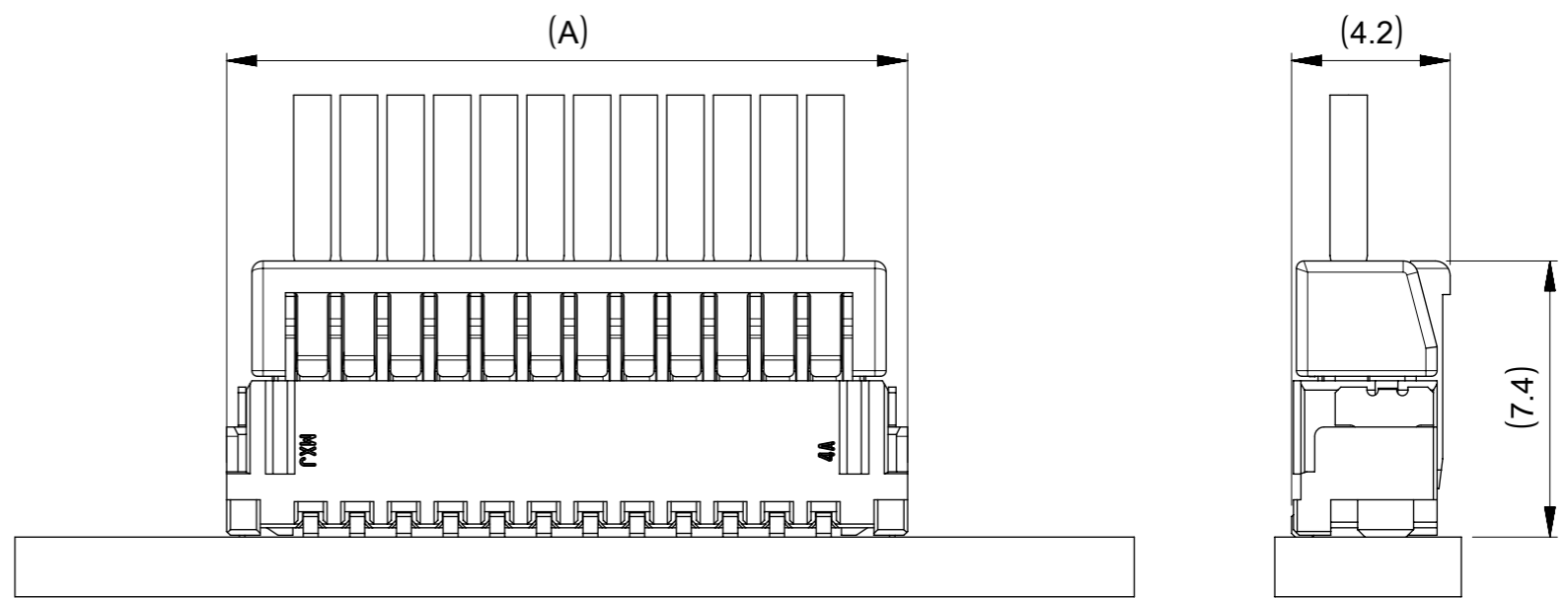


推奨基板レイアウト
RECOMMENDED PCB PATTERN LAYOUT

(参考:メタルマスク厚さ 150μm, マスク開口率 100%)
(REFERENCE: METAL MASK THICKNESS 150μm, APERTURE RASIO 100%)



吸着範囲
VACCUME AREA



嵌合状態図
MATED CONNECTORS

ORANGE	GREEN	BLUE	YELLOW	RED	BLACK	NATURAL (BEIGE)	HOUSING COLOR
5055681678	5055681676	5055681674	5055681673	5055681672	5055681671	5055681670	16
5055681578	5055681576	5055681574	5055681573	5055681572	5055681571	5055681570	15
5055681478	5055681476	5055681474	5055681473	5055681472	5055681471	5055681470	14
5055681378	5055681376	5055681374	5055681373	5055681372	5055681371	5055681370	13
5055681278	5055681276	5055681274	5055681273	5055681272	5055681271	5055681270	12
5055681178	5055681176	5055681174	5055681173	5055681172	5055681171	5055681170	11
5055681078	5055681076	5055681074	5055681073	5055681072	5055681071	5055681070	10
5055680978	5055680976	5055680974	5055680973	5055680972	5055680971	5055680970	9
5055680878	5055680876	5055680874	5055680873	5055680872	5055680871	5055680870	8
5055680778	5055680776	5055680774	5055680773	5055680772	5055680771	5055680770	7
5055680678	5055680676	5055680674	5055680673	5055680672	5055680671	5055680670	6
5055680578	5055680576	5055680574	5055680573	5055680572	5055680571	5055680570	5
5055680478	5055680476	5055680474	5055680473	5055680472	5055680471	5055680470	4
5055680378	5055680376	5055680374	5055680373	5055680372	5055680371	5055680370	3
5055680278	5055680276	5055680274	5055680273	5055680272	5055680271	5055680270	2
EMBOSSED TAPE PKG	EMBOSSED TAPE PKG	EMBOSSED TAPE PKG	EMBOSSED TAPE PKG	EMBOSSED TAPE PKG	EMBOSSED TAPE PKG	EMBOSSED TAPE PKG	極数 CKT NO.
ORDER NO.	ORDER NO.	ORDER NO.	ORDER NO.	ORDER NO.	ORDER NO.	ORDER NO.	

THIS DRAWING CONTAINS INFORMATION THAT IS PROPRIETARY TO MOLEX ELECTRONIC TECHNOLOGIES, LLC AND SHOULD NOT BE USED WITHOUT WRITTEN PERMISSION

REDRAWN EC NO: 121145 DRWN: RWATANABE01 CHK'D: KOMURAKAMI APPR: TKANEKO	2017/08/25 2017/09/26 2017/09/26	GENERAL TOLERANCES (UNLESS SPECIFIED) ANGULAR TOL ± 1.0 ° 4 PLACES ± 0.2 3 PLACES ± 0.2 2 PLACES ± 0.2 1 PLACE ± 0.2 0 PLACES ± 0.2	DIMENSION UNITS: mm SCALE: 5:1 DRWN BY: RWATANABE01 DATE: 2017/08/25 CHK'D BY: KOMURAKAMI DATE: 2017/09/26 APPR BY: TKANEKO DATE: 2017/09/26			
	DRAFT WHERE APPLICABLE MUST REMAIN WITHIN DIMENSIONS		DRAWING SIZE: A3 THIRD ANGLE PROJECTION			
				PRODUCT CUSTOMER DRAWING		
				SERIES: 505568 MATERIAL NUMBER: SEE CHART CUSTOMER: GENERAL		
			DOCUMENT NUMBER: 5055680001-SD DOC TYPE: PSD DOC PART: 000		SHEET NUMBER: 2 OF 2	