

PLEASE CHECK WWW.MOLEX.COM FOR LATEST PART INFORMATION

Part Number: [5055680472](#)
Status: **Active**
Overview: [Micro-Lock Plus Wire-to-Board Connector System](#)
Description: 1.25mm Pitch, Micro-Lock Plus PCB Header, Single Row, Vertical, Surface Mount, Tin-Bismuth Plating, Positive Lock, 4 Circuits, with Pick-and-Place Polyimide Tape, Red

Documents:

3D Model (PDF)	Application Specification 5055650000-AS-000 (PDF)
Drawing (PDF)	Application Specification AS-505565-001-001 (PDF)
3D Model	Packaging Specification 5055689200-200 (PDF)
Product Specification 5055650000-000 (PDF)	Datasheet (PDF)
Product Specification 5055651000-PS-000 (PDF)	RoHS Certificate of Compliance (PDF)
Product Specification 5055651002-PS-000 (PDF)	

Agency Certification

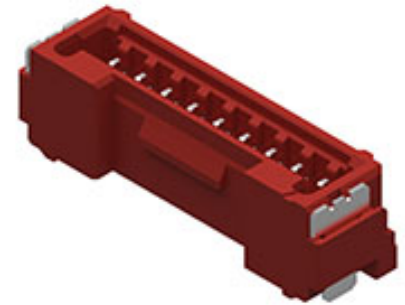
UL E29179

General

Product Family	PCB Headers
Series	505568
Application	Signal, Wire-to-Board
Overview	Micro-Lock Plus Wire-to-Board Connector System
Product Name	Micro-Lock Plus
Taxonomy	PCB Headers and Receptacles
UPC	889056556736

Physical

Breakaway	No
Circuits (Loaded)	4
Circuits (maximum)	4
Color - Resin	Red
Durability (mating cycles max)	30
First Mate / Last Break	No
Glow-Wire Capable	No
Guide to Mating Part	No
Keying to Mating Part	None
Lock to Mating Part	Yes
Material - Metal	Brass
Material - Plating Mating	Tin-Bismuth
Material - Plating Termination	Tin-Bismuth
Material - Resin	Polyamide
Net Weight	159.920/mg
Number of Rows	1
Orientation	Vertical
PCB Locator	No
PCB Retention	Yes
Packaging Type	Embossed Tape on Reel
Pitch - Mating Interface	1.25mm
Pitch - Termination Interface	1.25mm
Plating min - Mating	1.000µm
Polarized to Mating Part	Yes
Polarized to PCB	Yes
Robotic Placement	Vacuum Pick-Up Tape
Stackable	No
Temperature Range - Operating	-40° to +105°C
Termination Interface: Style	Surface Mount



Series image - Reference only

EU ELV

Not Relevant

EU RoHS

Compliant

REACH SVHC

Not Contained Per -
D(2022)4187-DC (10
June 2022)

Halogen-Free

Status

Not Low-Halogen

For more information, please visit [Contact US](#)

China ROHS

ELV

RoHS Phthalates

China RoHS

Green Image

Not Relevant

Not Contained

Search Parts in this Series

[505568](#) Series

Mates With

[Micro-Lock Plus Receptacle Housing 505565](#) . [Micro-Lock Plus Cable Assembly 45111](#)

Electrical

Current - Maximum per Contact
Voltage - Maximum

1.5A
50V AC (RMS)/DC

Material Info**Reference - Drawing Numbers**

Application Specification
Packaging Specification
Product Specification

5055650000-AS-000, AS-505565-001-001
5055689200-200
5055650000-000, 5055651000-PS-000, 5055651002-
PS-000
5055680000-SD-000

Sales Drawing

This document was generated on 09/01/2022

PLEASE CHECK WWW.MOLEX.COM FOR LATEST PART INFORMATION