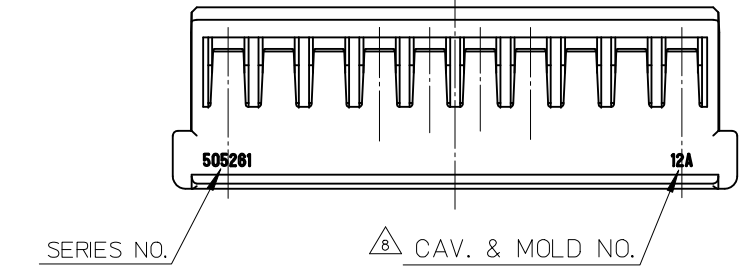
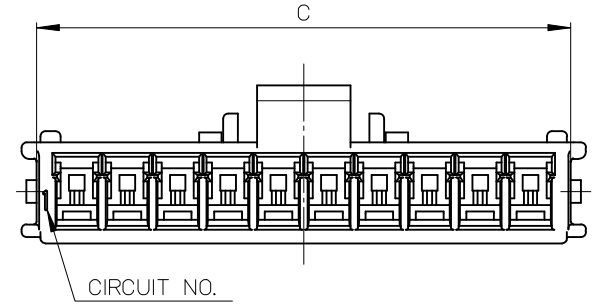
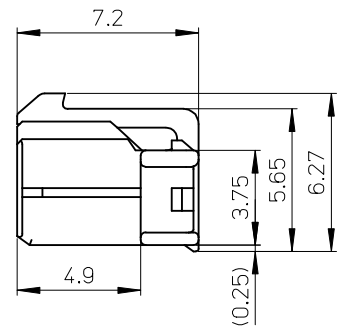
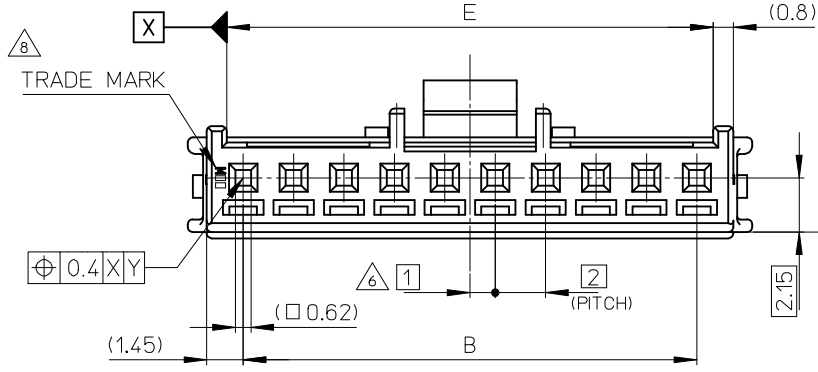
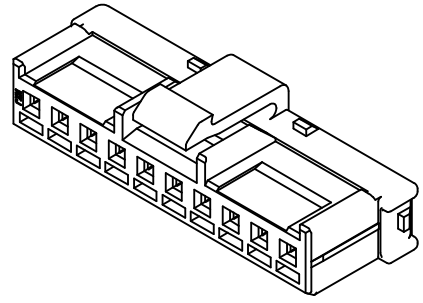
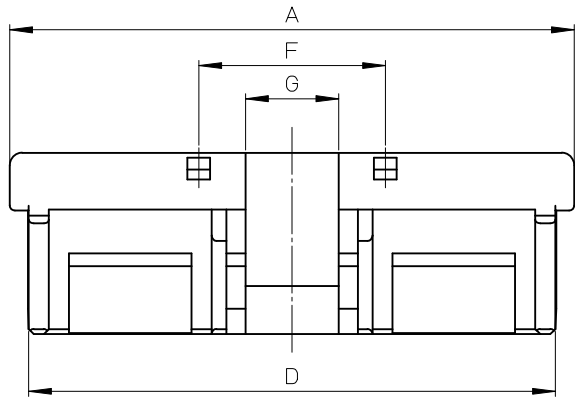


10 9 8 7 6 5 4 3 2 1



NOTES

1. 材料: PBT, UL94V-0
MATERIAL: PBT, UL94V-0
2. 色: ナチュラル
COLOR: NATURAL
3. 嵌合端子: 505153シリーズ
APPLICABLE TERMINAL: 505153 SERIES
4. 嵌合相手: 51227**00シリーズ
MATE WITH: 51227**00 SERIES
5. 適合リテーナー: ****シリーズ
APPLICABLE RETAINER: **** SERIES
6. 偶数極に適用
APPLY EVEN CIRCUIT PRODUCTS.
7. ELV 及びRoSH適合
ELV AND RoSH COMPLIANT

△8 トレードマーク: Mプラス 2文字の製造工場を示すアルファベットにて表示。但し、"J"はJAPANを"L"はMALAYSIAを示す。(例 MXJ 又はMXL) 金型番号: アルファベット1文字にて表示。(例 1A, 12A, 1B, 12B)

FORMED BY M AND FROM 1 TO 2 MORE LETTER OF ALPHABET WHICH MEAN THE MANUFACTORY. BUT "J" MEANS JAPAN, "L" MEANS MALAYSIA (TO TRADE MARK) (e.g. MXJ OR MXL) AND BY 1 - 2 DIGIT NUMBER (TO CAVITY NO.) AND BY 1 LETTER OF ALPHABET (TO MOLD NO.)(e.g. 1A, 12A, 1B, 12B).

3.7	7.4	19.3	20.9	21.2	18	22.4	5052611000	10
G	F	E	D	C	B	A	MATERIAL NO.	CIRCUIT

REVISED EC NO: J2015-0893 DRWN: NITO 2015/01/16 CHKD: KASAKAWA 2015/01/16 APPR: NUKITA 2015/01/16	GENERAL TOLERANCES (UNLESS SPECIFIED)		DIMENSION STYLE		SCALE	DESIGN UNITS	THIRD ANGLE PROJECTION		
			MM ONLY		2:1	METRIC			
	0.25 UNDER	UNDER	±0.03	DRAWN BY	DATE	TITLE			
	0.25 OVER	0.5 UNDER	±0.05	NITO	2014/05/06	2.0 WW CONN. REC HOUSING			
0.5 OVER	1.0 UNDER	±0.1	CHECKED BY	DATE					
1.0 OVER	10 UNDER	±0.2	KASAKAWA	2014/05/07					
10 OVER	30 UNDER	±0.25	APPROVED BY	DATE	DOCUMENT NO.				
30 OVER		±0.3	NUKITA	2014/09/10	SD-505261-001				
ANGULAR ±3 °			MATERIAL NO.		SHEET NO.				
DRAFT WHERE APPLICABLE MUST REMAIN WITHIN DIMENSIONS			ENTER PART		1 OF 1				
			SIZE A3		THIS DRAWING CONTAINS INFORMATION THAT IS PROPRIETARY TO MOLEX INCORPORATED AND SHOULD NOT BE USED WITHOUT WRITTEN PERMISSION				

9 8 7 6 5 4 3 2 1