

RECOMMENDED P.W.BOARD PATTERN LAYOUT  
TOLERANCE : ±0.05

△ PATTERN KEEP OUT AREA  
TOLERANCE : ±0.05  
△ GND RECOMMENDED PATTERN.

REFERENCE ONLY  
There is a proposed drawing for concept,  
so the dimensions are subject to change without notice.  
Also, this model is tentative, and has the possibility of changing.

REVISED	EC NO: J2017-0313 DRWN: YHONDA01 2016/12/09 CHKD: TASAKAWA 2016/12/14 APPR: TKUJHARA01 2016/12/19	GENERAL TOLERANCES (UNLESS SPECIFIED)		DIMENSION STYLE	SCALE	DESIGN UNITS	THIRD ANGLE PROJECTION
		0.25 UNDER ±0.03 0.25 OVER 0.5 UNDER ±0.05 0.5 OVER 1.0 UNDER ±0.1 1.0 OVER 10 UNDER ±0.2 10 OVER 30 UNDER ±0.25 30 OVER ±0.3		MM ONLY	5:1	METRIC	
B	REV	DRAFT WHERE APPLICABLE MUST REMAIN WITHIN DIMENSIONS		DRAWN BY	DATE	TITLE	
				YMATSUMOTO	2013/08/29	MICRO SD CONN. BAR-PUSH TRAY TYPE ASSY	
				CHECKED BY	DATE		
				SAKIYAMA	2013/08/29		
				APPROVED BY	DATE	DOCUMENT NO.	
				NUKITA	2013/09/02	SD-504528-001	
				MATERIAL NO.	SHEET NO.		
				SEE SHEET 1 OF 3	2 OF 3		
				SIZE	THIS DRAWING CONTAINS INFORMATION THAT IS PROPRIETARY TO MOLEX ELECTRONIC TECHNOLOGIES, LLC AND SHOULD NOT BE USED WITHOUT WRITTEN PERMISSION		
				A3			

10 9 8 7 6 5 4 3 2 1

F

E

D

C

B

A

F

E

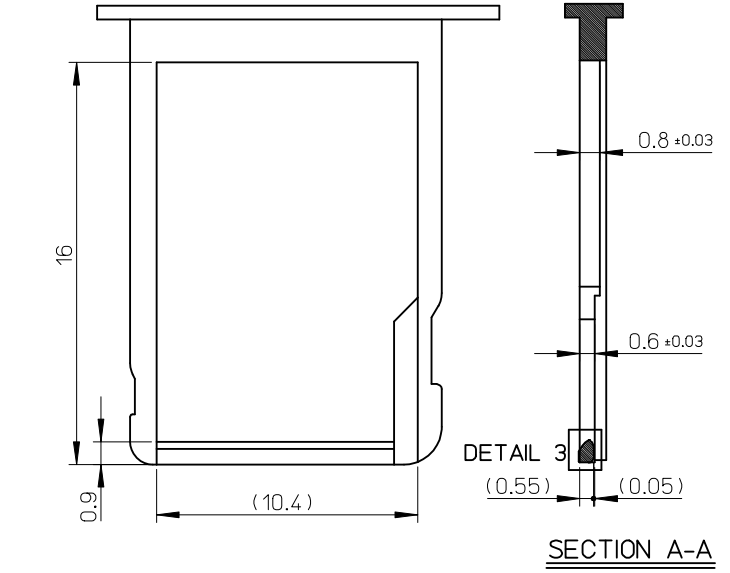
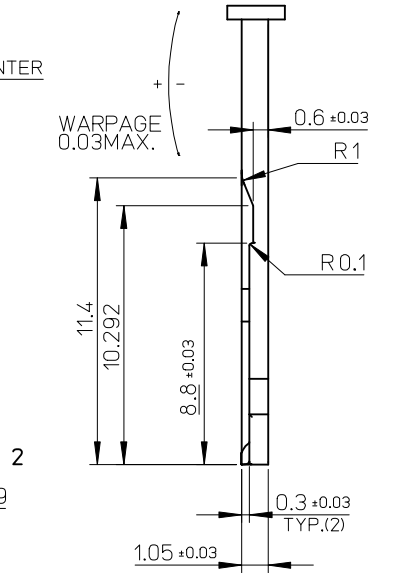
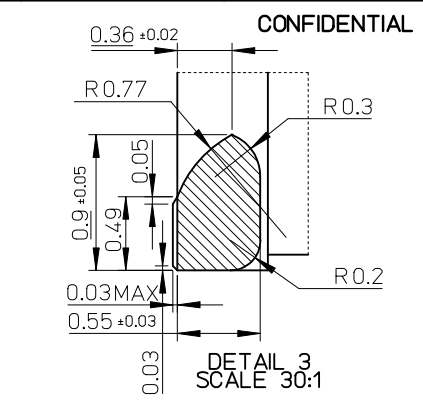
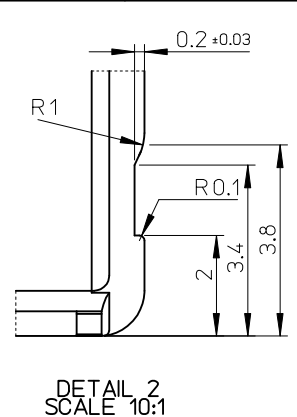
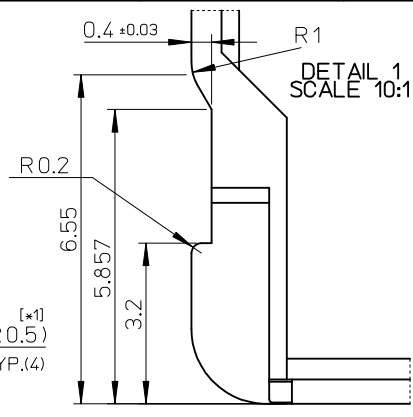
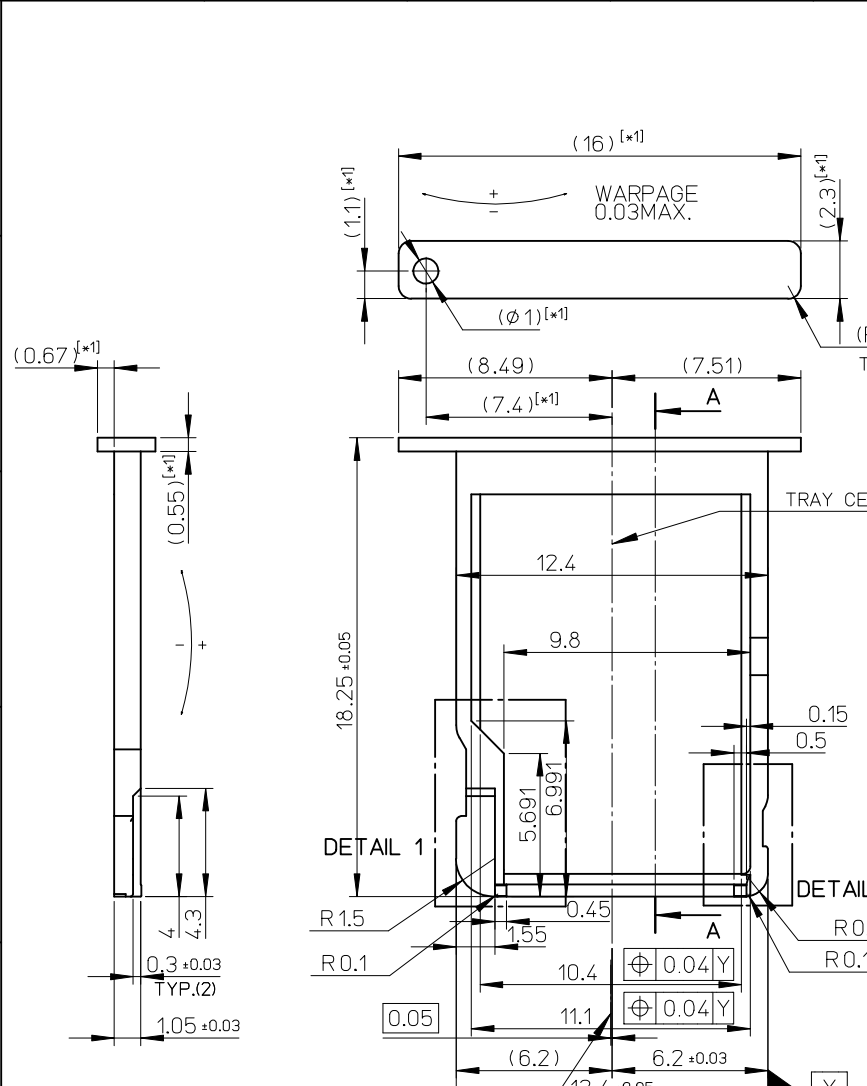
D

C

B

A

CONFIDENTIAL



APPLICABLE MIM TRAY  
(REFERENCE ONLY)  
TOLERANCE : ±0.05  
COPRANALITY 0.05MAX  
SURFACE ROUGHNESS : Ra=1 μm MAX.

[x1]CUSTOMER CAN DECIDE THIS DIMENSION.  
REFERENCE ONLY  
There is a proposed drawing for concept,  
so the dimensions are subject to change without notice.  
Also, this model is tentative, and has the possibility of changing.

Molex shall not be responsible for any infringement to the extent such infringement is the result of (a) use of the Product(s) in combination with any other products not provided by Molex if the infringement would not have occurred but for such combination, (b) any alteration or modification of the Product(s) not undertaken or authorized by Molex if the infringement would not have occurred but for such alteration or modification, (c) Molex' s compliance with Buyer' s specifications if the infringement would not have occurred but for such compliance, or (d) Buyer' s failure to comply with Molex' s instructions regarded as necessary to render the Product(s) non-infringing if the infringement would not have occurred if Buyer would have complied with Molex' s instructions.

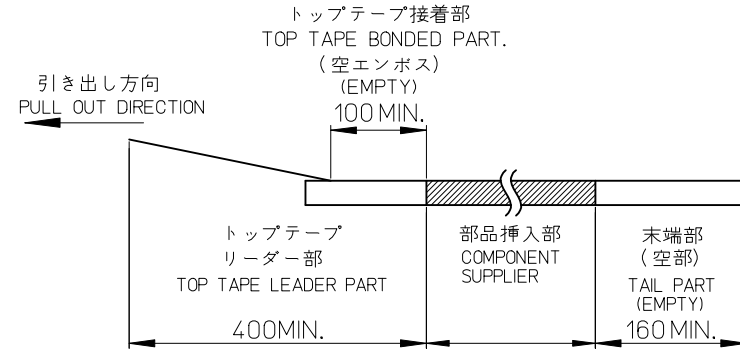
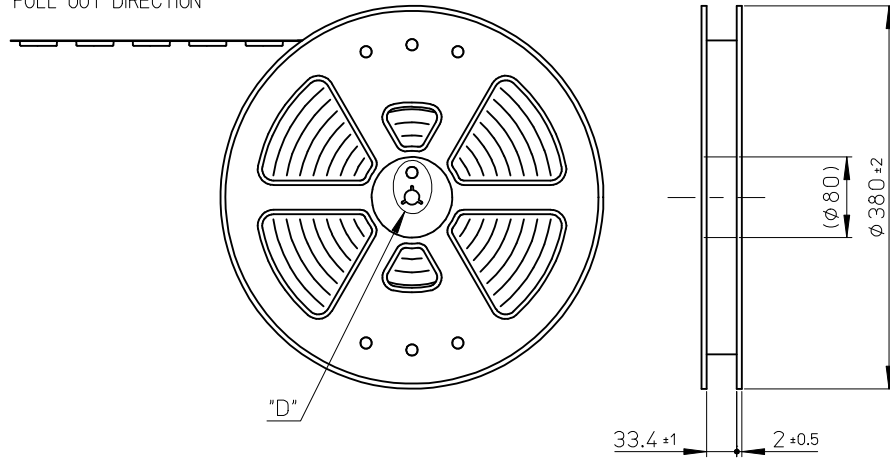
REVISED	EC NO: J2017-0313	DRWN:YHONDA01 2016/12/09	CHKD:TASAKAWA 2016/12/14	APPR:TKUJHARA01 2016/12/19	GENERAL TOLERANCES (UNLESS SPECIFIED)		DIMENSION STYLE		SCALE	DESIGN UNITS	THIRD ANGLE PROJECTION
					0.25 UNDER	±0.03	MM ONLY	5:1	METRIC		
B	REV	DESCRIPTION	0.25 OVER 0.5 UNDER		±0.05	DRAWN BY	DATE	TITLE			
			0.5 OVER 1.0 UNDER		±0.1	YMATSUMOTO	2013/08/29	MICRO SD CONN. BAR-PUSH TRAY TYPE ASSY			
		1.0 OVER 10 UNDER		±0.2	CHECKED BY	DATE					
		10 OVER 30 UNDER		±0.25	SAKIYAMA	2013/08/29					
		30 OVER		±0.3	APPROVED BY	DATE	DOCUMENT NO.				
		ANGULAR		±1 °	NUKITA	2013/09/02	SD-504528-001				
		DRAFT WHERE APPLICABLE MUST REMAIN WITHIN DIMENSIONS		SIZE		SEE SHEET 1 OF 3		SHEET NO.		3 OF 3	
				A3		THIS DRAWING CONTAINS INFORMATION THAT IS PROPRIETARY TO MOLEX ELECTRONIC TECHNOLOGIES, LLC AND SHOULD NOT BE USED WITHOUT WRITTEN PERMISSION					

NOTES

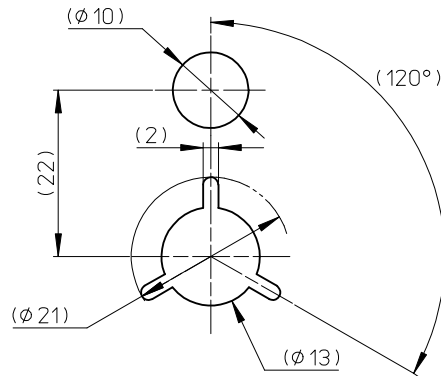
CONFIDENTIAL

- 製品詳細寸法は製品単体図面を参照して下さい。  
FOR DETAIL OF CONNECTOR DIMENSIONS, PLEASE SEE THE DRAWING OF CONNECTOR ITSELF (NOT PACKAGED)
- 梱包数量: 1400個/リール  
NUMBER OF CONNECTORS: 1400 PCS/REEL.
- リードテープ長さ LEAD TAPE LENGTH.

引き出し方向  
PULL OUT DIRECTION



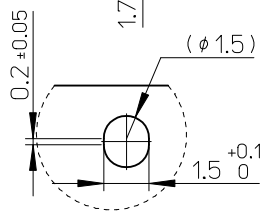
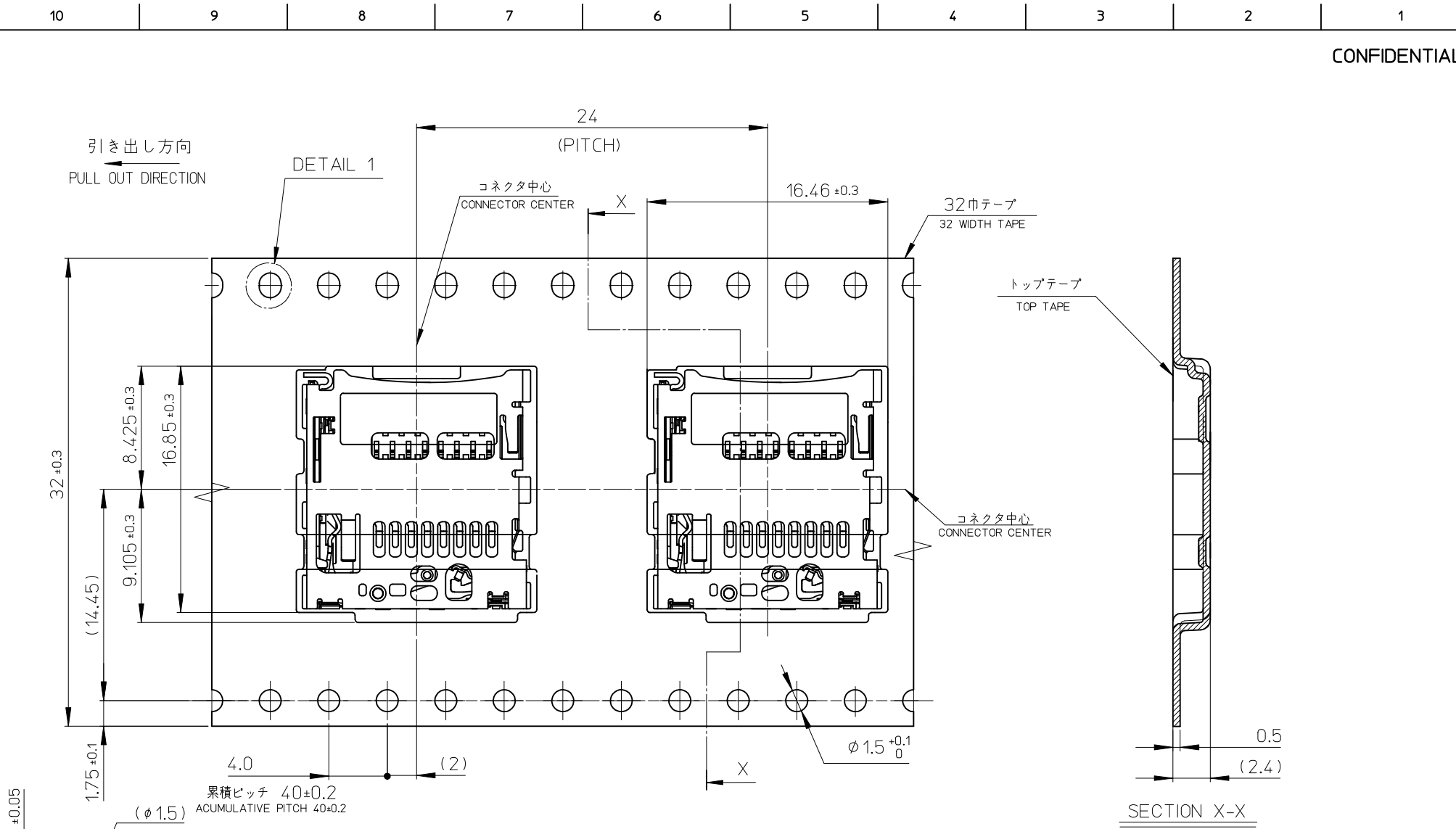
- カバーテープの剝離強度については、IEC60286-3に準拠  
Cover tape peel force is defined by IEC60286-3.
- 材料 MATERIAL  
キャリアテープ(CARRIER TAPE): ポリスチレン (POLYSTYRENE)  
トップテープ(TOP TAPE): PET, PE, PEF  
リール(REEL): ポリスチレン(PS)<リサイクル材含む>  
POLYSTYRENE (PS)<RECYCLE MATERIAL CONTAINED>
- ELV AND RoHS COMPLIANT



DETAIL "D"

504528-0811	504528-0891	504528-08**
CONNECTOR ONLY	MATERIAL NO.	MODEL NO.
ORDER No.	オーダー番号	MODEL NO.

REVISED EC NO: J2017-0313 DRWN: YHONDA01 2016/12/09 CHKD: TASAKAWA 2016/12/14 APPR: KUSUHARA01 2016/12/19	GENERAL TOLERANCES (UNLESS SPECIFIED)		DIMENSION STYLE MM ONLY		SCALE ---	DESIGN UNITS METRIC	THIRD ANGLE PROJECTION
	0.25 UNDER	±0.03	DRAWN BY	DATE	TITLE		
	0.25 OVER 0.5 UNDER	±0.05	YMATSUMOTO	2013/11/06	MICRO SD CARD CONN. BAR-PUSH TRAY TYPE EMBOSSED TAPE PACKAGE		
	0.5 OVER 1.0 UNDER	±0.1	SAKIYAMA	2013/11/06	molex		
1.0 OVER 10 UNDER	±0.2	APPROVED BY	DATE	MATERIAL NO.	DOCUMENT NO.	SHEET NO.	
10 OVER 30 UNDER	±0.25	YOITO	2013/11/07	SEE CHART	SD-504528-002	1 OF 2	
30 OVER	±0.3	THIS DRAWING CONTAINS INFORMATION THAT IS PROPRIETARY TO MOLEX ELECTRONIC TECHNOLOGIES, LLC AND SHOULD NOT BE USED WITHOUT WRITTEN PERMISSION					
ANGULAR ±1 °	DRAFT WHERE APPLICABLE MUST REMAIN WITHIN DIMENSIONS						
SIZE A3							



DETAIL 1  
SCALE 3:1

SECTION X-X

REVISED EC NO: J2017-0313 DRWN: YHONDA01 2016/12/09 CHKD: TASAKAWA 2016/12/14 APPR: KUSUHARA01 2016/12/19	GENERAL TOLERANCES (UNLESS SPECIFIED)		DIMENSION STYLE MM ONLY		SCALE ---	DESIGN UNITS METRIC	THIRD ANGLE PROJECTION
	0.25 UNDER	±0.03	DRAWN BY	DATE	TITLE		
	0.25 OVER 0.5 UNDER	±0.05	YMATSUMOTO	2013/11/06	MICRO SD CARD CONN. BAR-PUSH TRAY TYPE EMBOSSSED TAPE PACKAGE		
	0.5 OVER 1.0 UNDER	±0.1	CHECKED BY	DATE			
	1.0 OVER 30 UNDER	±0.2	SAKIYAMA	2013/11/06			
10 OVER 30 UNDER	±0.25	APPROVED BY	DATE	MATERIAL NO.	DOCUMENT NO.	SHEET NO.	
30 OVER	±0.3	YOITO	2013/11/07	SEE SHEET 1 OF 2	SD-504528-002	2 OF 2	
ANGULAR ±1 °		DRAFT WHERE APPLICABLE MUST REMAIN WITHIN DIMENSIONS		THIS DRAWING CONTAINS INFORMATION THAT IS PROPRIETARY TO MOLEX ELECTRONIC TECHNOLOGIES, LLC AND SHOULD NOT BE USED WITHOUT WRITTEN PERMISSION			