

注記 NOTES

1. 使用材料 MATERIAL

ハウジング : 液晶ポリマー (LCP) UL94V-0 (黒)
HOUSING: LIQUID CRYSTAL POLYMER UL94V-0 (COLOR: BLACK)

ターミナル : 銅合金
TERMINAL : COPPER ALLOY

金具 : 銅合金
FITTING NAIL : COPPER ALLOY

2. メッキ仕様 PLATING

ターミナル TERMINAL

金メッキ
GOLD

下地メッキ : ニッケルメッキ
UNDER PLATING : NICKEL

※コンタクト部とテール部はニッケルメッキによって分断されている金メッキです。
DIVIDE INTO PARTS THE GOLD PLATING OF THE CONTACT AND THE TAIL PART BY THE NICKEL PLATING.

金具 FITTING NAIL

金メッキ (テール部のみ)
GOLD (ONLY TAIL PART)

下地メッキ : ニッケルメッキ
UNDER PLATING : NICKEL

△3 (全極数/2) = 偶数の場合に適用。
APPLY FOR (CIRCUIT/2) = EVEN.

4. 嵌合相手 : 504459 シリーズ
MATE WITH : 504459 SERIES.

5. テール平坦度は、0.08 以下

テール及び金具の平坦度は、0.1 以下
TAIL COPLANARITY TO BE 0.08 MAXIMUM.
TAIL AND FITTING NAIL COPLANARITY TO BE 0.1 MAXIMUM.

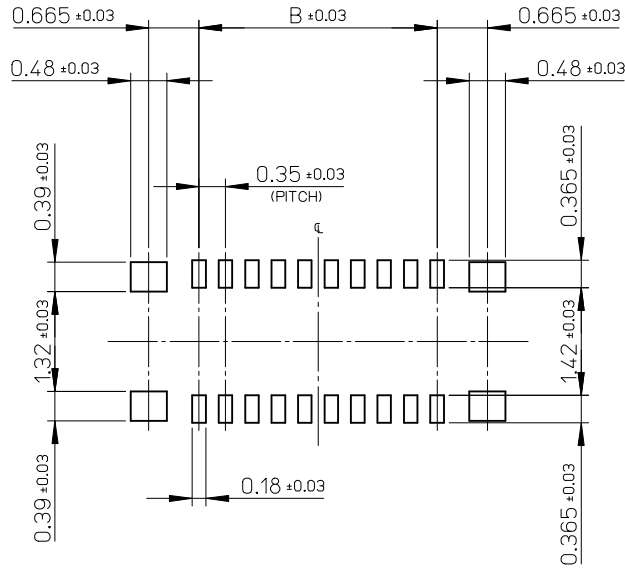
6. ELV & RoHS 適合品

ELV and RoHS COMPLIANT.

7.0	9.55	504455-4210	0	---	42
6.65	9.20	504455-4010	---	---	40
4.9	7.45	504455-3010	0	---	30
3.85	6.40	504455-2410	---	---	24
3.15	5.70	504455-2010	---	---	20
B	A	EMBOSSED TAPE PACKAGE --- オーダー番号 ORDER NO.	量産品 MASS PRODUCTION	試作対応可 LOW VOL. TOOL	極数 CIRCUIT

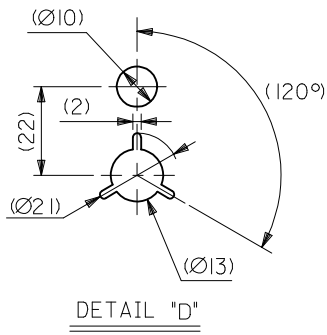
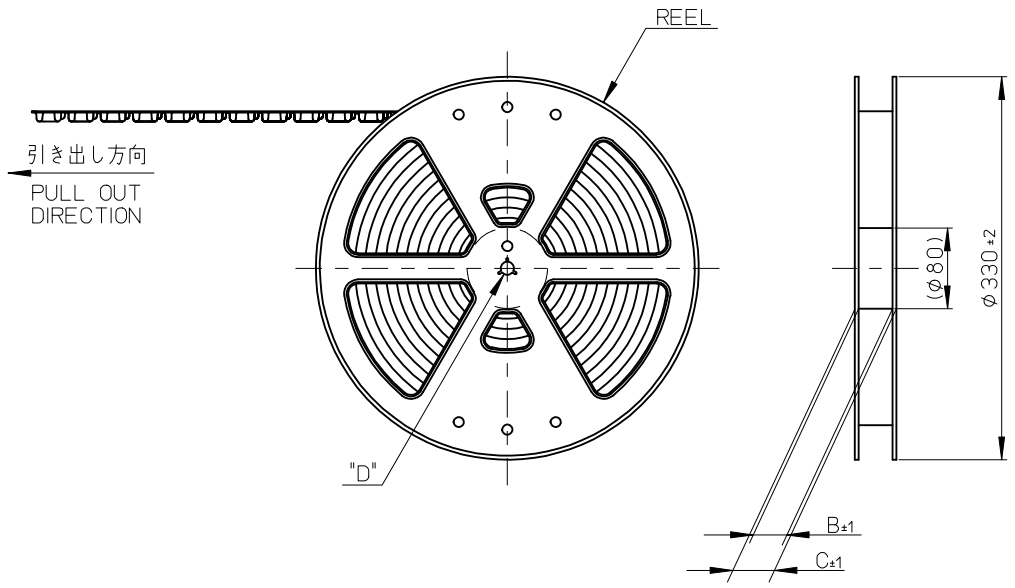
CONNECTOR SERIES No. : 504455-**09

REVISED EC NO: J2014-1253 DRWN: KAMINO 2014/02/13 CHKD: TASAKAWA 2014/02/14 APPR: KMORIKAWA 2014/02/17	DESCRIPTION REV	GENERAL TOLERANCES (UNLESS SPECIFIED)		DIMENSION STYLE MM ONLY		SCALE 15:1	DESIGN UNITS METRIC	THIRD ANGLE PROJECTION	
		10 UNDER	±0.2	DRAWN BY TSUZUKI01	DATE 2013/04/09	TITLE 0.35 BB CONN. H=0.6 ST6 REC. ASSY			
		10 OVER 30 UNDER	±0.25	CHECKED BY RTAKEUCHI	DATE 2013/04/09				
		30 OVER	±0.3	APPROVED BY KMORIKAWA	DATE 2013/08/08				
ANGULAR ±1 °		DRAFT WHERE APPLICABLE MUST REMAIN WITHIN DIMENSIONS		MATERIAL NO. SEE CHART		DOCUMENT NO. SD-504455-001		SHEET NO. 1 OF 2	
THIS DRAWING CONTAINS INFORMATION THAT IS PROPRIETARY TO MOLEX INCORPORATED AND SHOULD NOT BE USED WITHOUT WRITTEN PERMISSION									



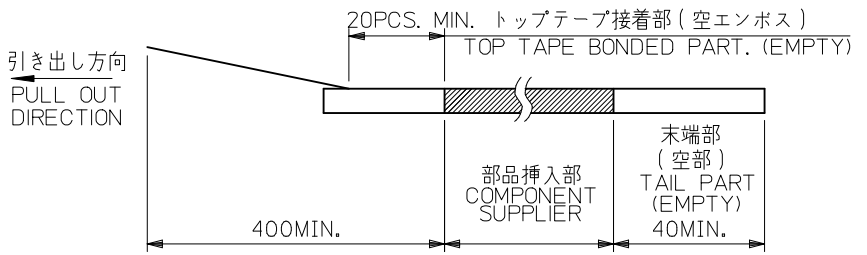
RECOMMENDED P.W. BOARD
PATTERN LAYOUT

REVISED EC NO: J2014-1253 DRWN:KAMINO 2014/02/13 CHK'D:TASAKAWA 2014/02/14 APPR:KMORIKAWA 2014/02/17	GENERAL TOLERANCES (UNLESS SPECIFIED)		DIMENSION STYLE MM ONLY	SCALE 15:1	DESIGN UNITS METRIC	THIRD ANGLE PROJECTION
	10 UNDER	± 0.2	DRAWN BY TSUZUKI01	DATE 2013/04/09	TITLE 0.35 BB CONN. H=0.6 ST6 REC. ASSY	
	10 OVER 30 UNDER	± 0.25	CHECKED BY RTAKEUCHI	DATE 2013/04/09		
	30 OVER	± 0.3	APPROVED BY KMORIKAWA	DATE 2013/08/08	molex DOCUMENT NO. SD-504455-001	
ANGULAR ±1°		MATERIAL NO. SEE CHART		SHEET NO. 2 OF 2		
DRAFT WHERE APPLICABLE MUST REMAIN WITHIN DIMENSIONS		THIS DRAWING CONTAINS INFORMATION THAT IS PROPRIETARY TO MOLEX INCORPORATED AND SHOULD NOT BE USED WITHOUT WRITTEN PERMISSION				



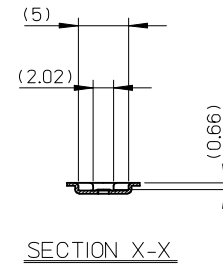
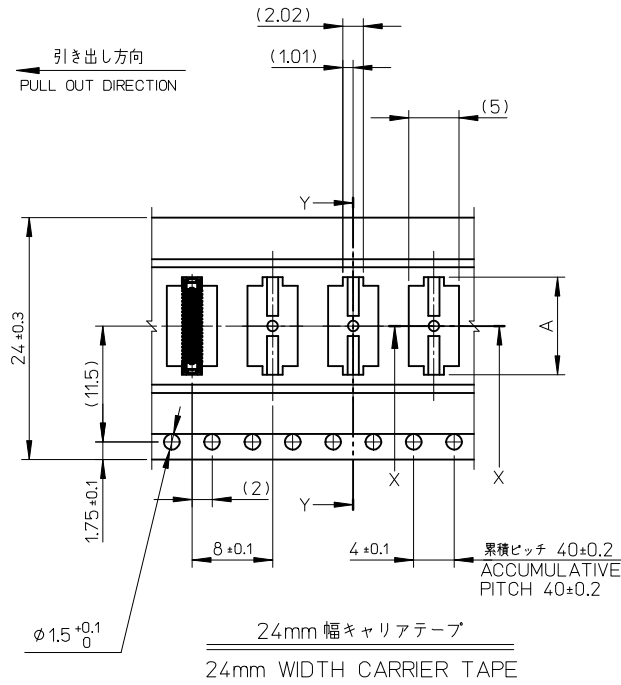
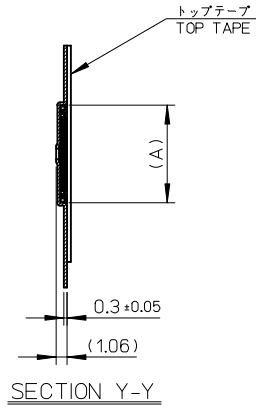
注記 NOTES

- 製品詳細寸法については製品単体図面を参照下さい。
RE DETAILED DIMENSION, SEE PRODUCT DRAWING.
- 梱包数量: 3000 個/リール
NUMBER OF CONNECTORS : 3000PCS/REEL
- リードテープ長さ LEAD TAPE LENGTH



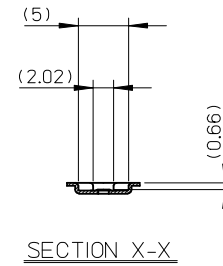
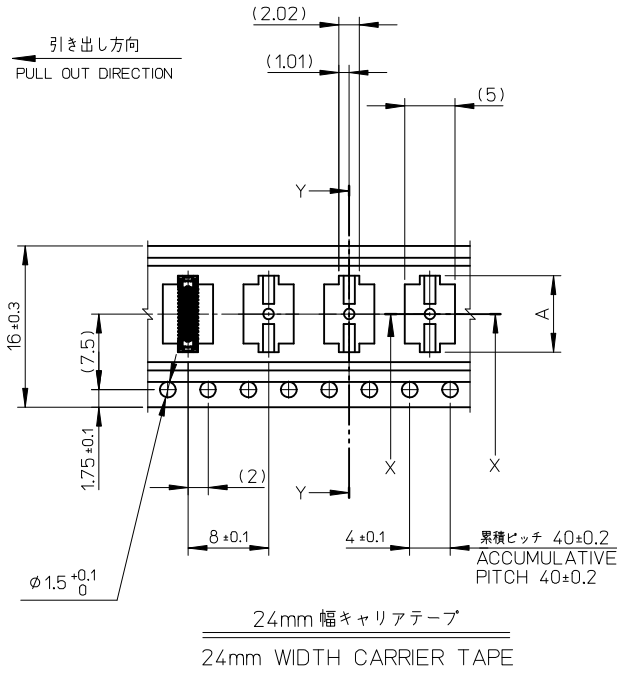
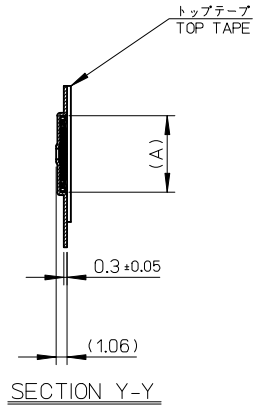
- トップテープの剥離強度については、IEC60286-3に準拠
TOP TAPE PEEL FORCE IS DEFINED BY IEC60286-3.
- 材料 MATERIAL
キャリアテープ (CARRIER TAPE): ポリスチレン (POLYSTYRENE)
トップテープ (TOP TAPE): PET, OTHER
リール (REEL): ポリスチレン (PS) <リサイクル材を含む>
POLYSTYRENE (PS) <RECYCLE MATERIAL CONTAINED>
- ELV 及び RoHS適合品
ELV AND RoHS COMPLIANT

RELEASED EC NO: J2014-1253 DRWN: KAMINO 2014/02/13 CHKD: TASAKAWA 2014/02/14 APPR: KMORIKAWA 2014/02/17	GENERAL TOLERANCES (UNLESS SPECIFIED)		DIMENSION STYLE MM ONLY		SCALE 15:1	MODEL NO. 504455-**10
	10 UNDER ±---		DRAWN BY TSUZUKI01		DATE 2013/04/17	DESIGN UNITS METRIC
	10 OVER 30 UNDER ±---		CHECKED BY RTAKEUCHI		DATE 2013/04/17	
	30 OVER ±---		APPROVED BY KMORIKAWA		DATE 2013/08/08	TITLE 0.35 BB CONN. H=0.6 ST6 REC. ASSY EMBSTP PKG
ANGULAR ±1°		MATERIAL NO. SEE CHART		DOCUMENT NO. SD-504455-002		
DRAFT WHERE APPLICABLE MUST REMAIN WITHIN DIMENSIONS		SIZE A3		THIS DRAWING CONTAINS INFORMATION THAT IS PROPRIETARY TO MOLEX INCORPORATED AND SHOULD NOT BE USED WITHOUT WRITTEN PERMISSION		



24	29.4	25.4	9.67	504455-4210	○	---	42
			9.32	504455-4010	---	---	40
キャリアテープ幅 CARRIER TAPE WIDTH	C	B	(A)	MATERIAL No.	量産品 MASS PRODUCTION	試作対応 LOW VOL. TOOL	極数 CIRCUIT
				MODEL No.	サンプル供給 SAMPLE PREPARATION		504455-**10

RELEASED EC NO: J2014-1253 DRWN: KAMINO 2014/02/13 CHKD: TASAKAWA 2014/02/14 APPR: KMORIKAWA 2014/02/17	GENERAL TOLERANCES (UNLESS SPECIFIED)		DIMENSION STYLE MM ONLY		SCALE 2:1	DESIGN UNITS METRIC	THIRD ANGLE PROJECTION
	10 UNDER	± ---	DRAWN BY TSUZUKI01	DATE 2013/04/17	TITLE 0.35 BB CONN. H=0.6 ST6 REC. ASSY EMBSTP PKG		
	10 OVER 30 UNDER	± ---	CHECKED BY RTAKEUCHI	DATE 2013/04/17	MATERIAL NO.		
	30 OVER	± ---	APPROVED BY KMORIKAWA	DATE 2013/08/08	DOCUMENT NO. SD-504455-002		
	ANGULAR ±1 °	DRAFT WHERE APPLICABLE MUST REMAIN WITHIN DIMENSIONS		SEE CHART		SHEET NO. 2 OF 3	
		THIS DRAWING CONTAINS INFORMATION THAT IS PROPRIETARY TO MOLEX INCORPORATED AND SHOULD NOT BE USED WITHOUT WRITTEN PERMISSION					



16	21.4	17.4	7.57	504455-3010	o	---	30	
			6.52	504455-2410	---	---	24	
			5.82	504455-2010	---	---	20	
キャリアテープ幅 CARRIER TAPE WIDTH		C	B	(A)	MATERIAL No.	量産品 MASS PRODUCTION	試作対応 LOW VOL. TOOL	極数 CIRCUIT
				MODEL No.	504455-**10			

RELEASED EC NO: J2014-1253 DRWN: KAMINO 2014/02/13 CHKD: TASAKAWA 2014/02/14 APPR: KMORIKAWA 2014/02/17	GENERAL TOLERANCES (UNLESS SPECIFIED)		DIMENSION STYLE MM ONLY		SCALE 2:1	DESIGN UNITS METRIC	THIRD ANGLE PROJECTION
	10 UNDER	± ---	DRAWN BY TSUZUKI 01	DATE 2013/04/17	TITLE 0.35 BB CONN. H=0.6 ST6 REC. ASSY EMBSTP PKG		
	10 OVER 30 UNDER	± ---	CHECKED BY RTAKEUCHI	DATE 2013/04/17	MATERIAL NO.		
	30 OVER	± ---	APPROVED BY KMORIKAWA	DATE 2013/08/08	DOCUMENT NO. SD-504455-002		
ANGULAR ±1 °		DRAFT WHERE APPLICABLE MUST REMAIN WITHIN DIMENSIONS		SEE CHART		SHEET NO. 3 OF 3	