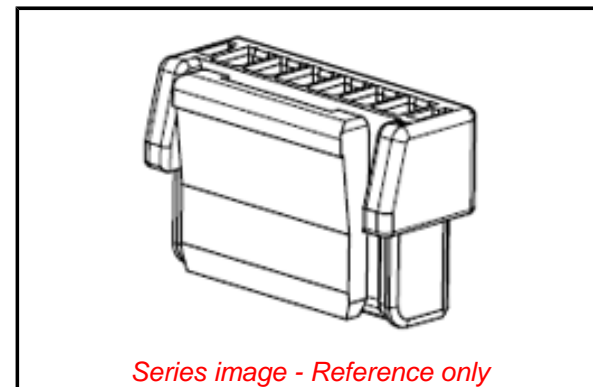


PLEASE CHECK WWW.MOLEX.COM FOR LATEST PART INFORMATION

Part Number: **5041931000**
Status: **Active**
Overview: Micro-Lock™ Connectors
Description: Micro-Lock™ 1.25mm Pitch Single-Row Crimp Housing, White, 10 Circuits, 5041931000

Documents:

3D Model	Application Specification AS-504193-001 (PDF)
Drawing (PDF)	Application Specification AS-504193-002 (PDF)
Product Specification 5041930000 (PDF)	Packaging Specification SPK-504193-001 (PDF)
Product Specification PS-504193-001 (PDF)	RoHS Certificate of Compliance (PDF)



General

Product Family	Crimp Housings
Series	504193
Application	Wire-to-Board
Overview	Micro-Lock™ Connectors
Product Name	Micro-Lock™
UPC	887191164991

Physical

Circuits (maximum)	10
Color - Resin	White
Gender	Female
Glow-Wire Compliant	No
Lock to Mating Part	Yes
Material - Resin	Polyester
Net Weight	179.677/mg
Number of Rows	1
Packaging Type	Tray
Panel Mount	No
Pitch - Mating Interface	1.25mm
Pitch - Termination Interface	1.25mm
Polarized to Mating Part	Yes
Temperature Range - Operating	-25°C to +85°C

Electrical

Current - Maximum per Contact	1.5A
-------------------------------	------

Material Info

Reference - Drawing Numbers

Application Specification	AS-504193-001, AS-504193-002
Packaging Specification	SPK-504193-001
Product Specification	5041930000, PS-504193-001, RPS-504193-001, RPS-504193-002, RPS-504193-003, RPS-504193-005, RPS-504193-006
Sales Drawing	SD-504193-001

EU ELV

Not Relevant

EU RoHS

Compliant

REACH SVHC

Contains SVHC(2015 June 15): No

Halogen-Free

Status

Not Low-Halogen

Need more information on product environmental compliance?

Email productcompliance@molex.com
Please visit the [Contact Us](#) section for any non-product compliance questions.

China ROHS
ELV

China RoHS
Green Image
Not Relevant

Search Parts in this Series

[504193 Series](#)

Mates With

[504194](#) Micro-Lock™ 1.25mm Pitch Vertical Header, [504195](#) Micro-Lock™ 1.25mm Pitch Right Angle Header

Use With

Micro-Lock™ Wire-to-Board Crimp Terminal [504185-1000](#)