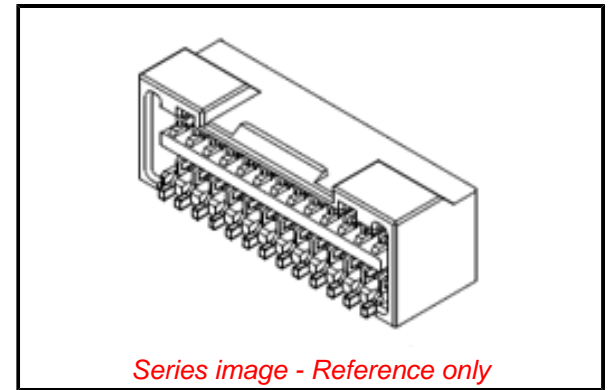


PLEASE CHECK WWW.MOLEX.COM FOR LATEST PART INFORMATION

Part Number: [5041891870](#)
Status: **Active**
Overview: [Micro-Lock™ Connectors](#)
Description: Micro-Lock 1.25mm Pitch Dual-Row Right-Angle Header, Beige, 18 Circuits

Documents:

| | |
|---|---|
| 3D Model | Application Specification AS-504186-002-001 (PDF) |
| Drawing (PDF) | Packaging Specification SPK-504189-001-001 (PDF) |
| Product Specification PS-504186-001-001 (PDF) | RoHS Certificate of Compliance (PDF) |
| Application Specification AS-504186-001-001 (PDF) | |



General

| | |
|----------------------|--|
| Product Family | PCB Headers |
| Series | 504189 |
| Application | Wire-to-Board |
| CURRENT-MAX-NUMERIC | 1.5 |
| Overview | Micro-Lock™ Connectors |
| PITCH-MATING-NUMERIC | 1.25 |
| Product Name | Micro-Lock |
| UPC | 887191185613 |

Physical

| | |
|--------------------------------|-----------------------|
| Breakaway | No |
| Circuits (Loaded) | 18 |
| Circuits (maximum) | 18 |
| Color - Resin | Beige |
| Durability (mating cycles max) | 30 |
| First Mate / Last Break | No |
| Glow-Wire Capable | No |
| Guide to Mating Part | No |
| Lock to Mating Part | Yes |
| Material - Metal | Brass |
| Material - Plating Mating | Tin |
| Material - Plating Termination | Nickel |
| Net Weight | 896.071/mg |
| Number of Rows | 2 |
| Orientation | Right Angle |
| PC Tail Length | 3.00mm |
| PCB Locator | No |
| PCB Retention | None |
| PCB Thickness - Recommended | 1.20mm, 1.60mm |
| Packaging Type | Embossed Tape on Reel |
| Pitch - Mating Interface | 1.25mm |
| Pitch - Termination Interface | 1.25mm |
| Temperature Range - Operating | -25° to +85°C |
| Termination Interface: Style | Surface Mount |

Electrical

| | |
|-------------------------------|------|
| Current - Maximum per Contact | 1.5A |
| Voltage - Maximum | 50V |

Material Info

Reference - Drawing Numbers

| | |
|---------------------------|--------------------------------------|
| Application Specification | AS-504186-001-001, AS-504186-002-001 |
| Packaging Specification | SPK-504189-001-001 |
| Product Specification | PS-504186-001-001 |
| Sales Drawing | SD-504189-001, SD-504189-002 |

EU ELV

Not Relevant

EU RoHS

Compliant

REACH SVHC

Not Contained Per -
ED/71/2019 (16 July
2019)

Halogen-Free

Status

Not Low-Halogen

For more information, please visit [Contact US](#)

China ROHS

ELV

RoHS Phthalates

China RoHS

Green Image

Not Relevant

Not Contained

Search Parts in this Series

[504189](#) Series

Mates With

[504186](#) Micro-Lock Wire-to-Board Crimp Housing

This document was generated on 09/17/2019

PLEASE CHECK WWW.MOLEX.COM FOR LATEST PART INFORMATION