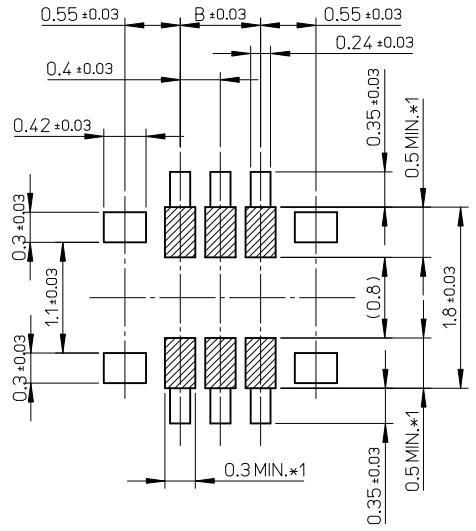


NOTES

1. MATERIAL
HOUSING: LIQUID CRYSTAL POLYMER UL94V-0 (COLOR: BLACK)
TERMINAL : COPPER ALLOY
FITTING NAIL : COPPER ALLOY
2. PLATING
TERMINAL
GOLD
UNDER PLATING : NICKEL
*DIVIDE INTO PARTS THE GOLD PLATING OF THE CONTACT AND THE TAIL PART BY THE NICKEL PLATING.
FITTING NAIL
GOLD
UNDER PLATING : NICKEL
*DIVIDE INTO PARTS THE GOLD PLATING OF THE CONTACT AND THE TAIL PART BY THE NICKEL PLATING.
- ~~3. APPLY FOR (CIRCUIT/2)-EVEN.~~
4. MATE WITH : 504118-0630 / 504118-0650 / 504118-0660
5. TAIL AND FITTING NAIL COPLANARITY TO BE 0.08 MAXIMUM.
6. Δ THOUGH THE GOLD ON THE TOP SURFACES OF THE NAIL MAY APPEAR TO VARYING DEGREES, THIS IS NOT A CRITICAL AREA FOR CORRECT FUNCTIONING OF THE PART. CRITICAL TO FUNCTION AREAS ON THE SIDE OF THE NAILS HAVE CONTROLLED THICKNESS OF GOLD PLATING.
7. ELV and RoHS COMPLIANT

0.8	2.7	504121-0689	6
B	A	EMBOSSED PACKAGE	極数
		オーダー番号 ORDER No.	CIRCUITS
CONNECTOR SERIES No. : 504121			

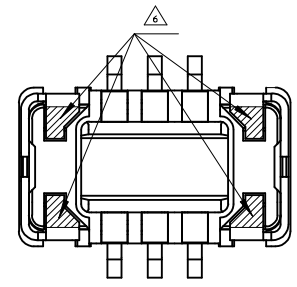
RELEASED EC NO: J2014-1353 DRWN: YON002 2014/02/03 CHKD: KTANAKA03 2014/02/03 APPR: KMORIKAWA 2014/03/05	GENERAL TOLERANCES (UNLESS SPECIFIED)		DIMENSION STYLE MM ONLY		SCALE 15:1	DESIGN UNITS METRIC	THIRD ANGLE PROJECTION
	10 UNDER	±0.2	DRAWN BY YON002	DATE 2014/02/03	TITLE 0.4 BB CONN. HGT=0.7 WITH POWER NAIL PLUG ASSY CHECKER molex DOCUMENT NO. SD-504121-005 SHEET NO. 1 OF 2		
	10 OVER 30 UNDER	±0.25	CHECKED BY KTANAKA03	DATE 2014/02/03			
	30 OVER	±0.3	APPROVED BY KMORIKAWA	DATE 2014/03/05			
ANGULAR	±1 °	MATERIAL NO.	SEE CHART				
DRAFT WHERE APPLICABLE MUST REMAIN WITHIN DIMENSIONS		SIZE A3		THIS DRAWING CONTAINS INFORMATION THAT IS PROPRIETARY TO MOLEX INCORPORATED AND SHOULD NOT BE USED WITHOUT WRITTEN PERMISSION			



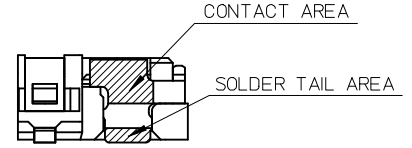
RECOMMENDED P.W. BOARD PATTERN LAYOUT

METAL MASK THICKNESS : 0.1 MICROMETER
 METAL MASK APERTURE RATIO : 80%

*1 PROHIBITED AREA OF PATTERN WIRING AND SOLDER.
 (FOR EACH AREA, THE WIRING THAT TOUCHES ON THE SOLDER
 CAN BE ATTACHED, THEN COVERED WITH A FILM TO KEEP SOLDER OUT.)



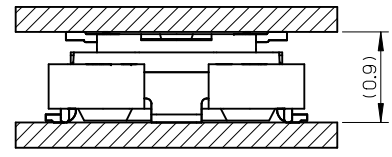
TOP VIEW



SIDE VIEW



<TERMINAL>
NICKEL BARRIER AREA
 (REFERENCE)



MATED DRAWING
 (REFERENCE)

RELEASED EC NO: J2014-1353 DRWN: YON002 CHKD: KTANAKA03 APPR: KMORIKAWA	2014/02/03 2014/02/03 2014/03/05	GENERAL TOLERANCES (UNLESS SPECIFIED)		DIMENSION STYLE MM ONLY	SCALE 20:1	DESIGN UNITS METRIC	THIRD ANGLE PROJECTION	
	10 UNDER	± 0.2	DRAWN BY YON002	DATE 2014/02/03	TITLE 0.4 BB CONN. HGT=0.7 WITH POWER NAIL PLUG ASSY CHECKER			
	10 OVER 30 UNDER	± 0.25	CHECKED BY KTANAKA03	DATE 2014/02/03				
	30 OVER	± 0.3	APPROVED BY KMORIKAWA	DATE 2014/03/05	molex DOCUMENT NO. SD-504121-005 SHEET NO. 2 OF 2			
ANGULAR ±1 °		MATERIAL NO. SEE SHEET 1						
DRAFT WHERE APPLICABLE MUST REMAIN WITHIN DIMENSIONS		SIZE A3	THIS DRAWING CONTAINS INFORMATION THAT IS PROPRIETARY TO MOLEX INCORPORATED AND SHOULD NOT BE USED WITHOUT WRITTEN PERMISSION					