

**PLEASE CHECK WWW.MOLEX.COM FOR LATEST PART INFORMATION**

**Part Number:** **0503978002**  
**Status:** **Active**  
**Overview:** CP Wire-to-Board and Wire-to-Wire Connector Systems  
**Description:** CP-3.3 Wire-to-Board Crimp Terminal, Female, 26-28 AWG, Reel

**Documents:**

[Drawing \(PDF\)](#) [Datasheet \(PDF\)](#)  
[Product Specification 2122090000-PS-000 \(PDF\)](#) [RoHS Certificate of Compliance \(PDF\)](#)  
[Packaging Specification SPK-50397-001-001 \(PDF\)](#)

**General**

Product Family Crimp Terminals  
Series [50397](#)  
Application Power, Wire-to-Board  
Crimp Quality Equipment Yes  
Overview [CP Wire-to-Board and Wire-to-Wire Connector Systems](#)  
Packaging Alternative [503978102 \(Bag\)](#)  
Product Name CP-3.3  
Taxonomy Crimp Terminals  
UPC 193264100118

**Physical**

Gender Female  
Material - Metal Phosphor Bronze  
Material - Plating Mating Tin  
Material - Plating Termination Tin  
Net Weight 97.000/mg  
Packaging Type Reel  
Plating min - Mating 0.914µm  
Plating min - Termination 0.914µm  
Termination Interface: Style Crimp or Compression  
Wire Insulation Diameter 1.15-1.40mm  
Wire Size AWG 26, 28  
Wire Size mm<sup>2</sup> N/A

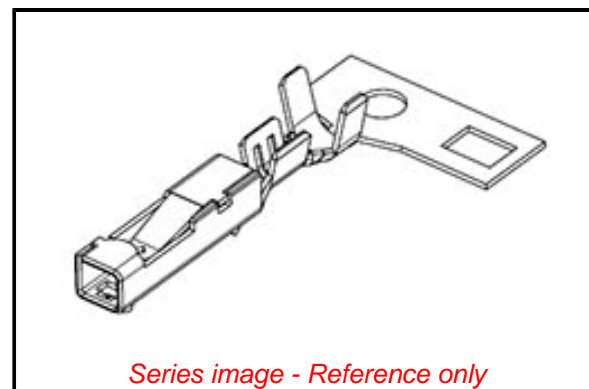
**Electrical**

Current - Maximum per Contact 8.5A  
Voltage - Maximum 500V AC/DC

**Material Info**

**Reference - Drawing Numbers**

Packaging Specification [SPK-50397-001-001](#)  
Product Specification [2122090000-PS-000](#)  
Sales Drawing [503970001-SD-000](#)



*Series image - Reference only*

**EU ELV**

**Not Relevant**

**EU RoHS**

**Compliant**

**REACH SVHC**

Not Contained Per -  
D(2022)4187-DC (10  
June 2022)

**Halogen-Free**

**Status**

**Low-Halogen**

For more information, please visit [Contact US](#)

China ROHS

ELV

RoHS Phthalates

**China RoHS**

Green Image

Not Relevant

Not Contained

**Search Parts in this Series**

[50397 Series](#)

**Use With**

[CP-3.3 Receptacle Housing 212209](#)

**Application Tooling | FAQ**

*Tooling specifications and manuals are found by selecting the products below. Crimp Height Specifications are then contained in the Application Tooling Specification document.*

**Global**

Description	Product #
FA2 Pneumatic Feed Crimp Applicator for CP-3.3 Receptacle Terminals, 26-28 AWG	<a href="#">2130693910</a>
Hand Crimp Tool for CP-3.3 Receptacle Crimp Terminals, 22-28 AWG, UL1007 Wire	<a href="#">2133095100</a>

Extraction Tool for [638138600](#)  
MTC (Multi Terminal  
Connector) Female  
Terminal, 14-18  
AWG

**Japan**

<b>Description</b>	<b>Product #</b>
--------------------	------------------

S-1 Applicator for CP-3.3 Crimp Terminals, 26-28 AWG	<a href="#">573163720</a>
---	---------------------------

This document was generated on 10/12/2022

**PLEASE CHECK [WWW.MOLEX.COM](http://WWW.MOLEX.COM) FOR LATEST PART INFORMATION**