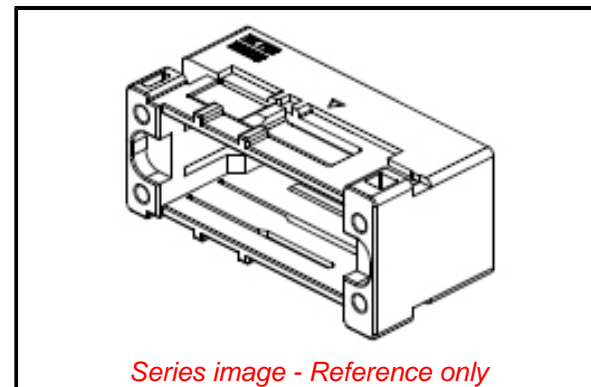


PLEASE CHECK WWW.MOLEX.COM FOR LATEST PART INFORMATION

Part Number: **5035601600**
Status: **Active**
Description: 2.00mm Pitch Wire-to-Board Plug Adapter, Dual Row, Vertical, With Floating Feature for Blind Mating, 16 Circuits

Documents:

3D Model	Application Specification AS-503557-001-001 (PDF)
Drawing (PDF)	Packaging Specification SPK-503560-001-001 (PDF)
3D Model (PDF)	RoHS Certificate of Compliance (PDF)
Product Specification PS-503557-001-001 (PDF)	



General

Product Family	Crimp Housings
Series	503560
Application	Wire-to-Board
Product Name	N/A
Taxonomy	Connector Housings
UPC	884982144200

Physical

Circuits (maximum)	16
Color - Resin	Black
Gender	Plug
Glow-Wire Capable	No
Lock to Mating Part	Yes
Material - Resin	Polyester
Net Weight	4990.860/mg
Number of Rows	2
Packaging Type	Bag
Panel Mount	Yes
Pitch - Mating Interface	2.00mm
Polarized to Mating Part	Yes
Temperature Range - Operating	-40° to +85°C

Electrical

Current - Maximum per Contact	2.0A
-------------------------------	------

Material Info

Reference - Drawing Numbers

Application Specification	AS-503557-001-001
Packaging Specification	SPK-503560-001-001
Product Specification	PS-503557-001-001
Sales Drawing	SD-503560-001-001

EU ELV

Not Relevant

EU RoHS

Compliant

REACH SVHC

Not Contained Per -
D(2022)4187-DC (10
June 2022)

Halogen-Free

Status

Not Low-Halogen

For more information, please visit [Contact US](#)

China ROHS

ELV

RoHS Phthalates

China RoHS

Green Image

Not Relevant

Not Contained

Search Parts in this Series

503560 Series

Use With

503559 Plug Housing