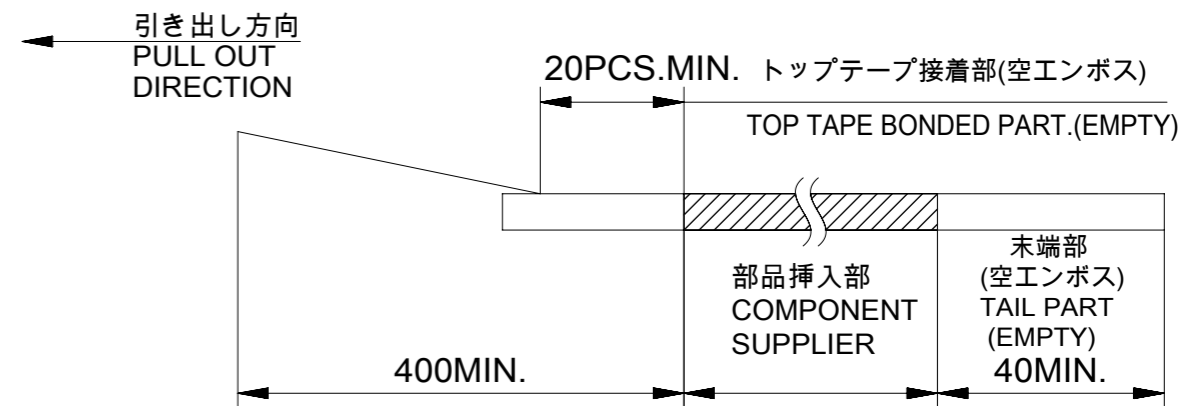
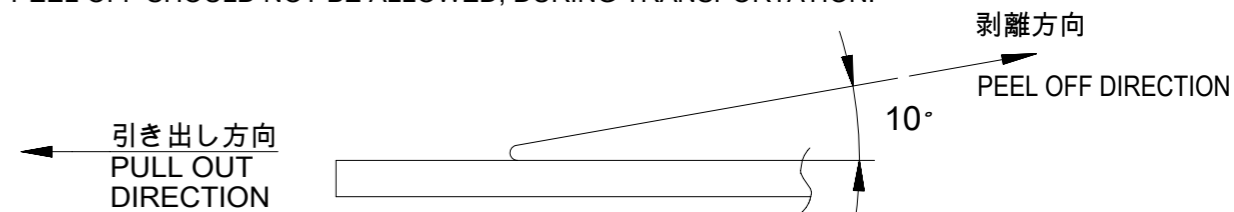


NOTES

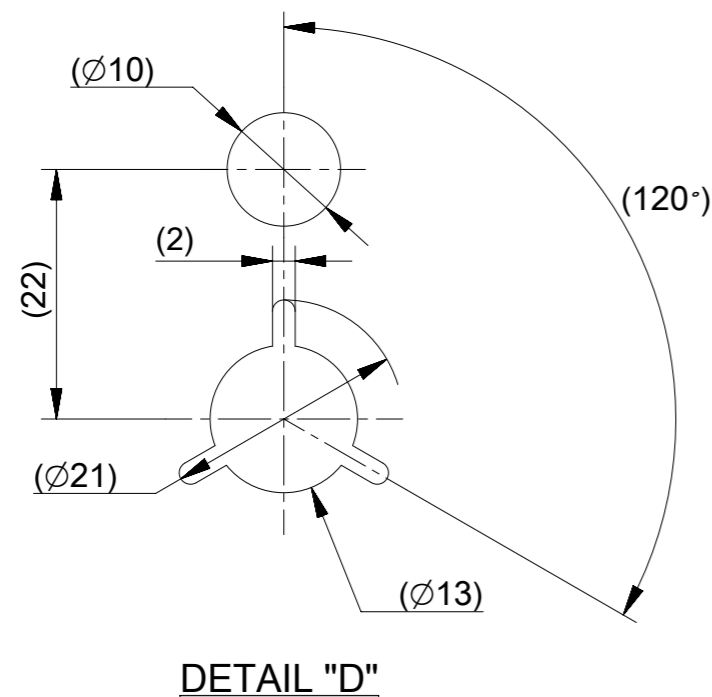
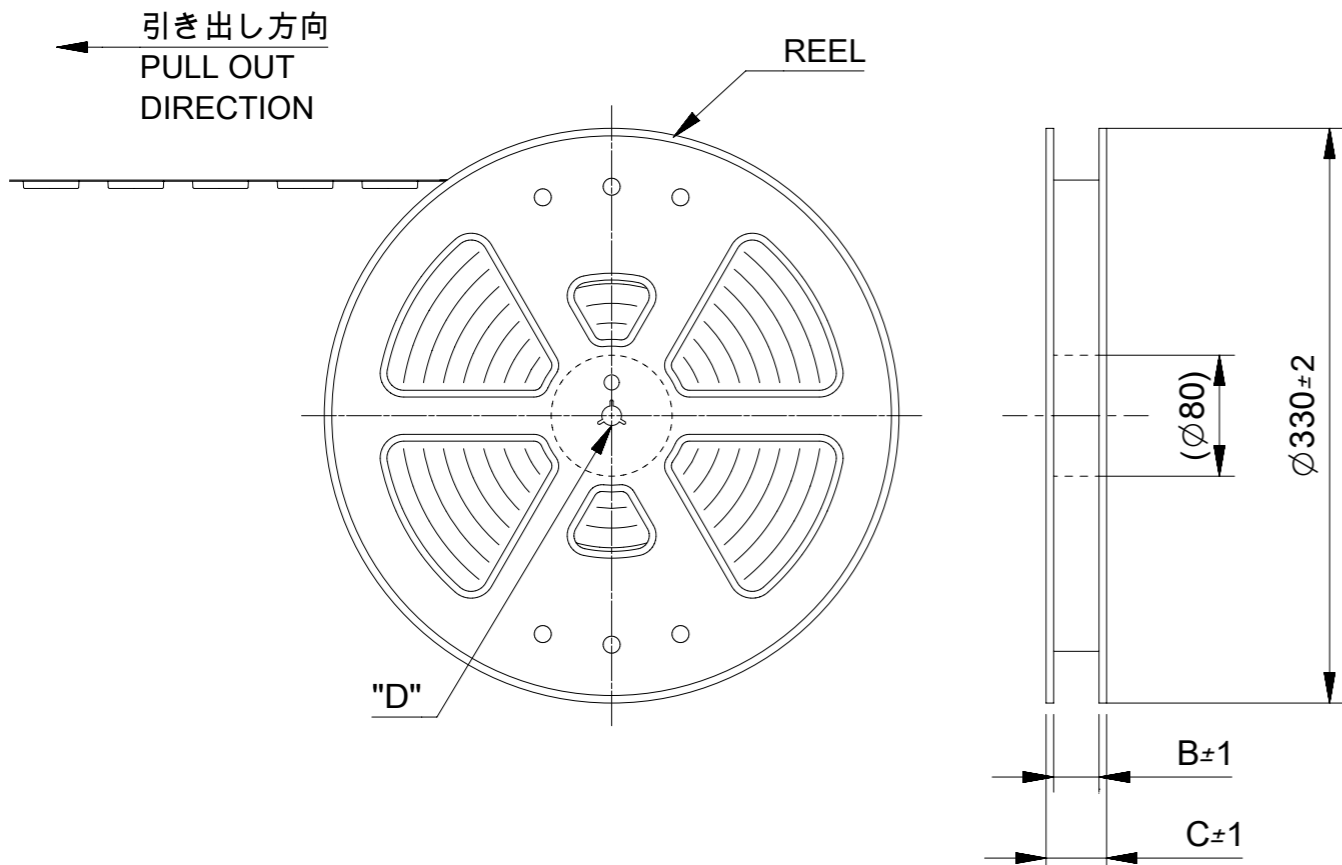
- 製品詳細寸法については製品単体図面を参照下さい。
DETAIL DIMENSION SEE PRODUCT DRAWING.
- 梱包数量：3000個 / リール
NUMBER OF CONNECTORS : 3000 PCS/REEL.
- リードテープ長さ LEAD TAPE LENGTH.



- トッパテープの剥離強度：0.1N～1.3N(10gf～130gf)(剥離方向は下図参照)尚、本規格値は出荷時に適用。(但し、輸送時に剥離が発生しないこと。)
PEELING OFF FORCE OF TOP TAPE : 0.1N～1.3N(10gf～130gf)
(PEELING DIRECTION AS SHOWN IN FOLLOWING FIG.)
THIS REQUIREMENT SHOULD BE APPLIED AT SHIPMENT.
PEEL OFF SHOULD NOT BE ALLOWED, DURING TRANSPORTATION.



- 材料 MATERIAL
キャリアテープ(CARRIER TAPE) : ポリスチレン (POLYSTYRENE)
トッパテープ(TOP TAPE) : PET, OTHER
リール (REEL) : ポリスチレン(PS)<リサイクル材を含む>

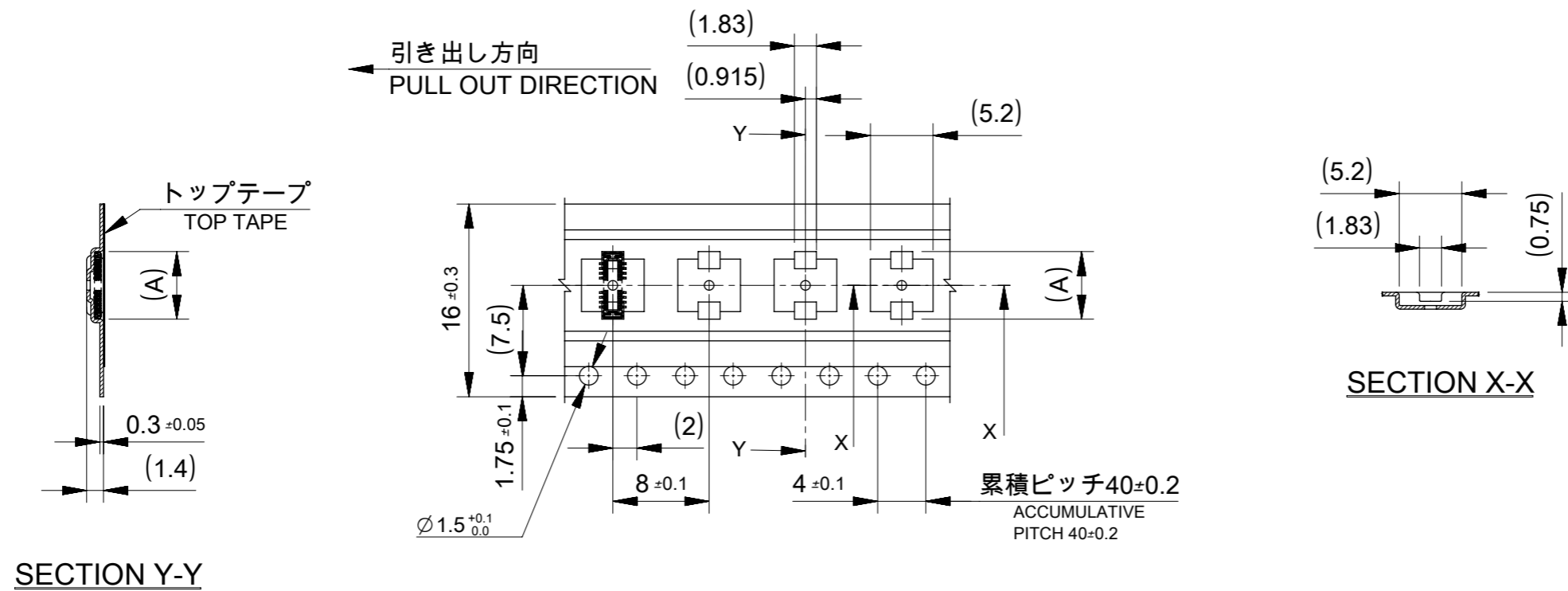


MODEL NO. 503552**80

THIS DRAWING CONTAINS INFORMATION THAT IS PROPRIETARY TO MOLEX ELECTRONIC TECHNOLOGIES, LLC AND SHOULD NOT BE USED WITHOUT WRITTEN PERMISSION										
EC NO: 118757 DRWN: TMIYAZAKI CHK'D: KTAKAHASHI APPR: MSASAO	2017/06/29	2017/06/29	2017/06/30	GENERAL TOLERANCES (UNLESS SPECIFIED)	DIMENSION UNITS	SCALE	molex			
					MM	NTS				
					ANGULAR TOL ±	DRWN BY	DATE	0.4 B-TO-B CONN. HGT=0.7 HI-RETENTION PLUG ASSY CHECKER TYPE EMBSTP PKG		
					4 PLACES ±	TMIYAZAKI	2017/05/18			
					3 PLACES ±	CHK'D BY	DATE	PRODUCT CUSTOMER DRAWING		
			2 PLACES ±	KTAKAHASHI	2017/06/08					
			1 PLACE ±	APPR BY	DATE	SERIES MATERIAL NUMBER CUSTOMER				
			0 PLACES ±	MSASAO	2017/06/09				503552	SEE SHEET 2
				DRAFT WHERE APPLICABLE MUST REMAIN WITHIN DIMENSIONS	DRAWING SIZE	THIRD ANGLE PROJECTION	DOCUMENT NUMBER DOC TYPE DOC PART SHEET NUMBER			
					A3		5035520000	PSD	001	1 OF 2

THIS DOCUMENT HAS BEEN RE-ISSUED BASED ON SD-503552-008, REV 0

RELEASE STATUS P1 RELEASE DATE 30.06.2017 07:11:03



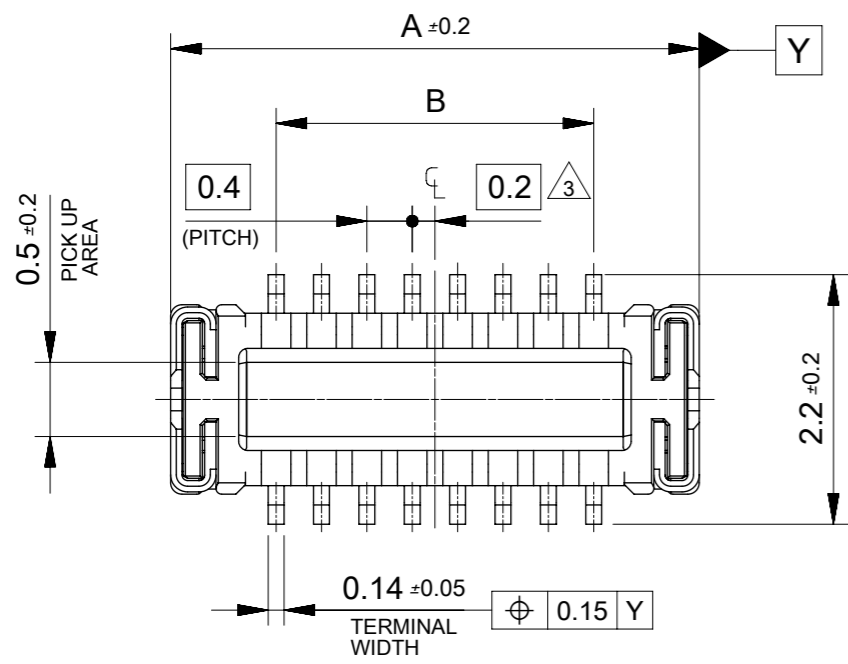
16mm 幅キャリアテープ
16mm WIDTH CARRIER TAPE

16	21.4	17.4	5.21	5035521880	18
			4.81	5035521680	16
			4.41	5035521480	14
			4.01	5035521280	12
			2.81	5035520680	6
キャリアテープ幅 CARRIER TAPE WIDTH			C	B	(A)
			MATERIAL No.	CKT.	
			MODEL No. 503552**80		

THIS DRAWING CONTAINS INFORMATION THAT IS PROPRIETARY TO MOLEX ELECTRONIC TECHNOLOGIES, LLC AND SHOULD NOT BE USED WITHOUT WRITTEN PERMISSION

EC NO: 118757 DRWN: TMIYAZAKI CHK'D: KTAKAHASHI APPR: MSASAO	2017/06/29	2017/06/29	2017/06/30	GENERAL TOLERANCES (UNLESS SPECIFIED) ANGULAR TOL ± ° 4 PLACES ± 3 PLACES ± 2 PLACES ± 1 PLACE ± 0 PLACES ± DRAFT WHERE APPLICABLE MUST REMAIN WITHIN DIMENSIONS	DIMENSION UNITS	SCALE				
					MM	NTS				
					DRWN BY	DATE		0.4 B-TO-B CONN. HGT=0.7 HI-RETENTION PLUG ASSY CHECKER TYPE EMBSTP PKG		
					TMIYAZAKI	2017/05/18				
					CHK'D BY	DATE				
					KTAKAHASHI	2017/06/08				
			APPR BY	DATE	PRODUCT CUSTOMER DRAWING					
			MSASAO	2017/06/09	SERIES	MATERIAL NUMBER	CUSTOMER			
					503552	SEE CHART	GENERAL			
					DRAWING SIZE	THIRD ANGLE PROJECTION	DOCUMENT NUMBER	DOC TYPE	DOC PART	SHEET NUMBER
					A3		5035520000	PSD	001	2 OF 2

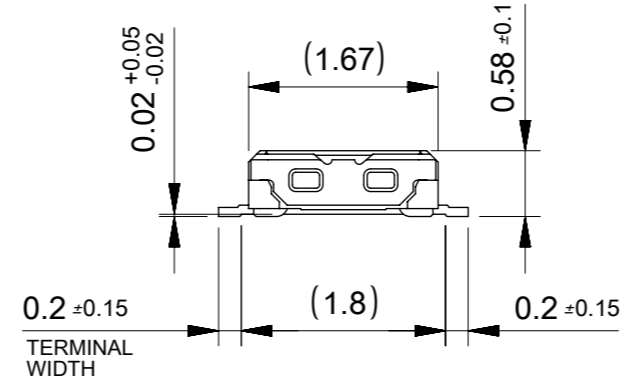
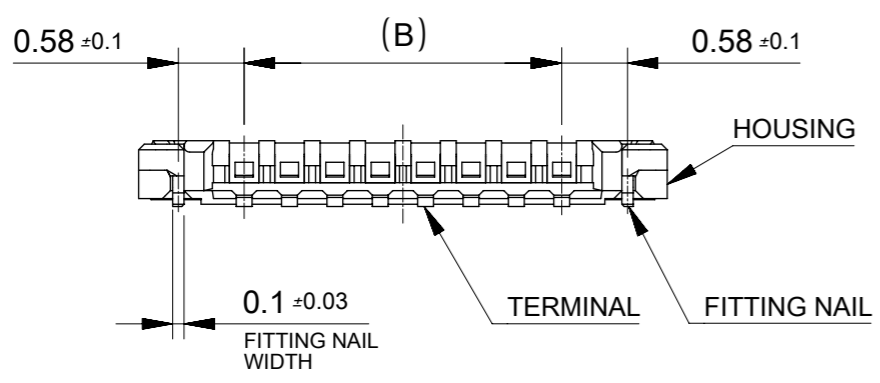
E



注記 NOTES

1. 使用材料 MATERIAL
 ハウジング : 液晶ポリマー (LCP) UL94V-0 (黒)
 HOUSING: LIQUID CRYSTAL POLYMER UL94V-0 (COLOR:BLACK)
 ターミナル : 銅合金
 TERMINAL : COPPER ALLOY
 金具 : 銅合金
 FITTING NAIL : COPPER ALLOY
2. メッキ仕様 PLATING
 ターミナル TERMINAL
 金メッキ GOLD
 下地メッキ : ニッケルメッキ
 UNDER PLATING : NICKEL
 ※コンタクト部とテール部はニッケルメッキによって分断されている金メッキです。
 DIVIDE INTO PARTS THE GOLD PLATING OF CONTACT
 AND THE TAIL PART BY THE NICKEL PLATING
 金具 FITTING NAIL
 金メッキ (テール部のみ) GOLD (ONLY TAIL PART)
 下地メッキ : ニッケルメッキ
 UNDER PLATING : NICKEL
- △3 (全極数 / 2) = 偶数の場合に適用。
 APPLY FOR (CIRCUIT/2)=EVEN.
4. 嵌合相手 : 503548 シリーズ
 MATE WITH : 503548 SERIES.
5. テール平坦度は、0.08 以下
 テール及び金具の平坦度は、0.1 以下
 TAIL COPLANARITY TO BE 0.08MAXIMUM.
 TAIL AND FITTING NAIL COPLANARITY TO BE 0.1MAXIMUM.

C



3.2±0.2	5.06	5035521880	18
2.8±0.2	4.66	5035521680	16
2.4±0.2	4.26	5035521480	14
2.0±0.2	3.86	5035521280	12
0.8±0.1	2.66	5035520680	6
B	A	EMBOSSED PACKAGE オーダー番号 ORDER No.	極数 CIRCUITS
			CONNECTOR SERIES No.: 503552**89

B

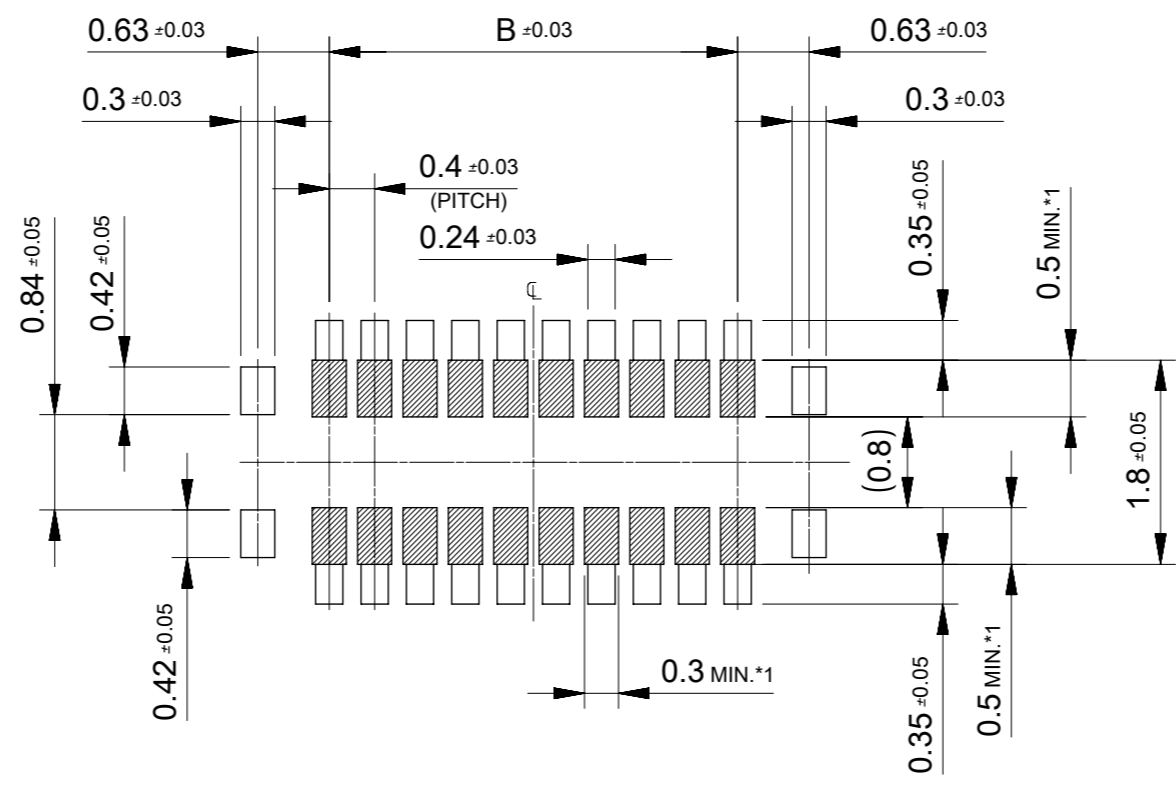
A

THIS DRAWING CONTAINS INFORMATION THAT IS PROPRIETARY TO MOLEX ELECTRONIC TECHNOLOGIES, LLC AND SHOULD NOT BE USED WITHOUT WRITTEN PERMISSION

EC NO: 118757 DRWN: TMIYAZAKI CHK'D: KTAKAHASHI APPR: MSASAO	2017/06/29	2017/06/29	2017/06/30	GENERAL TOLERANCES (UNLESS SPECIFIED) ANGULAR TOL ± ° 4 PLACES ± 3 PLACES ± 2 PLACES ± 1 PLACE ± 0 PLACES ±	DIMENSION UNITS	SCALE			
					MM	15:1			
					DRWN BY	DATE		TMIYAZAKI	2017/05/18
					CHK'D BY	DATE		KTAKAHASHI	2017/06/08
					APPR BY	DATE		MSASAO	2017/06/09
					DRAWING SIZE	THIRD ANGLE PROJECTION		A3	
DRAFT WHERE APPLICABLE MUST REMAIN WITHIN DIMENSIONS							0.4 B-TO-B CONN. HGT=0.7 W=2.6 HI-RETENTION PLUG ASSY CHECKER TYPE		
PRODUCT CUSTOMER DRAWING			SERIES	MATERIAL NUMBER	CUSTOMER				
			503552	SEE CHART	GENERAL				
THIS DOCUMENT HAS BEEN RE-ISSUED BASED ON SD-503552-007, REV 0			DOCUMENT NUMBER	DOC TYPE	DOC PART	SHEET NUMBER			
			5035521000	PSD	003	1 OF 2			

THIS DOCUMENT HAS BEEN RE-ISSUED BASED ON SD-503552-007, REV 0

RELEASE STATUS	P1	RELEASE DATE	30.06.2017	07:11:05
----------------	----	--------------	------------	----------



RECOMMENDED P.W. BOARD
PATTERN LAYOUT

- *1 パターン引き回し、および半田禁止エリア
(当該箇所においては、これと接する回路以外の配線を禁止する。
また、接する回路を配線する場合はレジストを施し、この部分に
半田は無きこととする。)
- *1 PROHIBITED AREA OF PATTERN WIRING AND SOLDER.
(FOR EACH AREA, THE WIRING THAT TOUCHES ON THE SOLDER
CAN BE ATTACHED, THEN COVERED WITH A FILM TO KEEP SOLDER OUT.)

THIS DRAWING CONTAINS INFORMATION THAT IS PROPRIETARY TO MOLEX ELECTRONIC TECHNOLOGIES, LLC AND SHOULD NOT BE USED WITHOUT WRITTEN PERMISSION											
EC NO: 118757 DRWN: TMIYAZAKI CHK'D: KTAKAHASHI REV APPR: MSASAO	2017/06/29	2017/06/29	2017/06/30	GENERAL TOLERANCES (UNLESS SPECIFIED) ANGULAR TOL ± ° 4 PLACES ± 3 PLACES ± 2 PLACES ± 1 PLACE ± 0 PLACES ±	DIMENSION UNITS	SCALE					
					MM	15:1					
					DRWN BY	DATE					
					TMIYAZAKI	2017/05/18	0.4 B-TO-B CONN. HGT=0.7 W=2.6 HI-RETENTION PLUG ASSY CHECKER TYPE				
					CHK'D BY	DATE					
					KTAKAHASHI	2017/06/08					
			APPR BY	DATE	PRODUCT CUSTOMER DRAWING						
			MSASAO	2017/06/09	SERIES	MATERIAL NUMBER	CUSTOMER				
					503552	SEE SHEET 1	GENERAL				
			DRAFT WHERE APPLICABLE MUST REMAIN WITHIN DIMENSIONS		DRAWING SIZE	THIRD ANGLE PROJECTION	DOCUMENT NUMBER		DOC TYPE	DOC PART	SHEET NUMBER
					A3		5035521000		PSD	003	2 OF 2