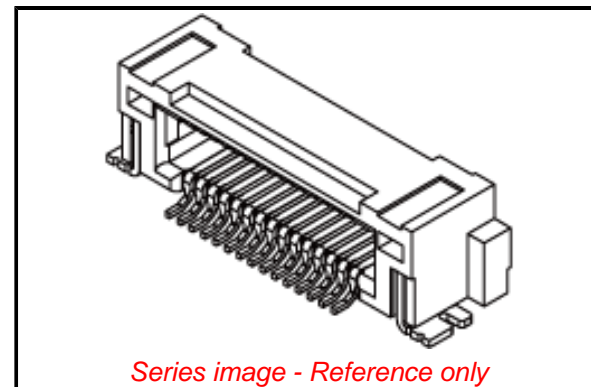


**PLEASE CHECK WWW.MOLEX.COM FOR LATEST PART INFORMATION**

**Part Number:** **5033764010**  
**Status:** **Active**  
**Overview:** SlimStack Board-to-Board/Board-to-FPC Connectors  
**Description:** SlimStack Board-to-Board Plug, 0.40mm Pitch, Surface Mount, Dual Row, Right-Angle, with Solder Tabs and Plastic Pegs, 40 Circuits

**Documents:**

<a href="#">3D Model</a>	<a href="#">Product Specification PS-54552-024-001 (PDF)</a>
<a href="#">Drawing (PDF)</a>	<a href="#">Packaging Specification SPK-503376-001-001 (PDF)</a>
<a href="#">3D Model (PDF)</a>	<a href="#">Datasheet (PDF)</a>
<a href="#">Product Specification PS-54552-023-001 (PDF)</a>	<a href="#">RoHS Certificate of Compliance (PDF)</a>



**General**

Product Family	PCB Headers
Series	503376
Application	Board-to-Board, Signal
Overview	SlimStack Board-to-Board/Board-to-FPC Connectors
Product Name	SlimStack
Series Name	0.4, RA
Taxonomy	Board-to-Board Connectors
UPC	884982061262

**Physical**

Breakaway	No
Circuits (Loaded)	40
Circuits (maximum)	40
Color - Resin	Black
Durability (mating cycles max)	30
Glow-Wire Capable	No
Material - Metal	Phosphor Bronze
Material - Plating Mating	Gold
Material - Plating Termination	Gold
Net Weight	149.440/mg
Number of Rows	2
Orientation	Right Angle
PCB Locator	Yes
PCB Retention	Yes
Packaging Type	Embossed Tape on Reel
Pitch - Mating Interface	0.40mm
Pitch - Termination Interface	0.40mm
Temperature Range - Operating	-40° to +105°C
Termination Interface: Style	Surface Mount

**Electrical**

Current - Maximum per Contact	0.3A
Voltage - Maximum	30V AC (RMS)/DC

**Material Info**

**Reference - Drawing Numbers**

Packaging Specification	SPK-503376-001-001
Product Specification	PS-54552-023-001, PS-54552-024-001
Sales Drawing	SD-503376-001-001, SD-503376-002-001, SD-503376-002-002

**EU ELV**

**Not Relevant**

**EU RoHS**

**Compliant**

**REACH SVHC**

Not Contained Per -  
D(2022)4187-DC (10  
June 2022)

**Halogen-Free**

**Status**

**Low-Halogen**

For more information, please visit [Contact US](#)

China ROHS

ELV

RoHS Phthalates

**China RoHS**

Green Image

Not Relevant

Not Contained

**Search Parts in this Series**

503376 Series

**Mates With**

54552 PCB Receptacle

**PLEASE CHECK [WWW.MOLEX.COM](http://WWW.MOLEX.COM) FOR LATEST PART INFORMATION**