

Solderless Terminals



Introduction

Molex offers global manufacturing and design capabilities for a wide range of Solderless Terminals. This catalog covers those Solderless Terminals made by Molex Korea. Our capabilities in Korea include a full range of standard terminals such as ring and spade type, along with more specialized versions such as Circuit Breaker and Tapping Splices. A full range of Application tooling is available for all versions.

Index

	2
R	3
Y	9
RD	10
CB	11
A / A	12
A	12
B / P	13
E /	14
CE / CD	15
CE	16
RAV / RBV (R)	17
RAP / RBP (R)	21
VSX / VFY (Y)	25
APF / BPF (Y)	27
AVA / APA / BVA / BPA (A)	29
AVB / APB / BVV / BPB (B)	30
AVP / APP / BVP / BPP (P)	31
C /	32
	32
	33
	34
	36
	36
	37
	37
	38
	38
C	39
	40
Molex-ETC™	41
Beau®	42

Solderless Terminal Overview	2
Solderless Terminal Overview	2
Non-Insulated Solderless Terminals	
Ring Tongue	3
Spade Tongue	9
Double-Hole	10
Circuit Breaker Terminal	11
Wire Pin Terminal / with Insulation Cap	12
Insulation Cap for Wire Pin Terminal	12
Non-Insulated Splices	
Butt Splice / Parallel Splice	13
Wire End Ferrule / Wire Range Cross Reference	14
Insulated Connectors	
Closed-End Connector	15
Wire Range Cross Reference	16
Insulated Solderless Terminals and Splices	
Ring Tongue, Vinyl	17
Ring Tongue, Nylon	21
Spade Tongue, Vinyl	25
Spade Tongue, Nylon	27
Wire Pin Terminal	29
Butt Splice	30
Parallel Splice	31
Tapping Splices	
Tapping Splice / Insulation Cover	32
Wire Range Cross Reference	32
Vinyl Insulation Cap	
Vinyl Insulation Cap	33
Application Tooling	
Hand Crimper	34
Hydraulic Hand Crimper	36
Hydraulic Tool (Head Separated Type)	36
Electrically Operated Hydraulic Tool	37
Hydraulic Pump	37
Foot-Operated Pneumatic Tool	38
Semi-Automatic Terminator	38
Tool for Tapping Splice and Tubular Lug	39
Application Tooling Selection Guide	40
Molex-ETC™ Precision Engineered Terminals	41
Beau® Terminal Blocks	42

Solderless Terminal Overview

KS JIS 가 . All dimensions of Solderless Terminals are prescribed by KS and JIS.

Features and Benefits

Terminal Material	Molex Korea solderless terminals are made of oxygen free high conductivity copper, and annealed with the best quality techniques to acquire excellent electrical performance and connectivity.
Plating	High quality tin plating enables maximum corrosion resistance.
Brazing	Alloys such as silver solder and phosphor copper are used for excellent brazing and bonding characteristics.
Insulation	High temperature insulators are used in various color options.

Naming Conventions

R 1.25 - 3 () R - , Y - Y
 □ □ □ (e.g.) R - Ring, Y - Spade

Type/Shape Applicable Wire Size (sq) Screw Size

Non-Insulated Solderless Terminals and Splices

Type	Name	Application	Standard
R	Ring	General	KS, JIS, UL, CSA
RD	Double-Hole	Transformer	KS, JIS, UL, CSA
CB	Circuit Breaker	Distribution Board, Switch Board	JEMA*, UL, CSA
Y	Y Spade	Control Panel	UL, CSA
A	Wire Pin	Breaker, Electric Meter	UL, CSA
T	C Tapping Splice	Wire Branching	JCMA**
B	() Butt Splice	Wire-to-Wire	JIS, UL, CSA
P	() Parallel Splice	Wire-to-Wire	JIS, UL, CSA
E	Wire End Ferrule	Wire Closed End (non-insulated)	JIS
CE	() Closed-End	Wire Closed End (insulated)	JIS, UL, CSA
V	Insulation Cap	Solderless Terminals	JSIA***

* JEMA: The Japan Electrical Manufacturers' Association
 ** JCMA: The Japanese Electric Wire & Cable Makers' Association
 *** JSIA: Japan Switchboard Industries Association

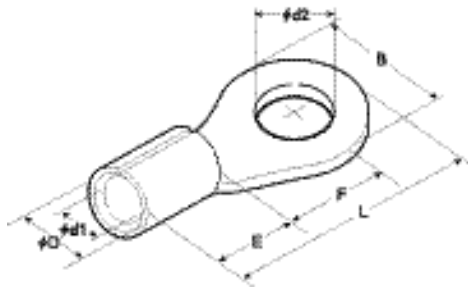
Insulators for Solderless Terminals and Splices

(short:) PVC
 Insulators for crimp barrels provide less metal exposure and better protection against wire bending. The following two types of insulation material are used:

Insulator	Operating Temperature	Flammability
PVC (Polyvinyl Chloride)	-40~+75°C	UL94V-O
Nylon	-40~+105°C	UL94V-2

Non-Insulated Solderless Terminals

R Ring Tongue



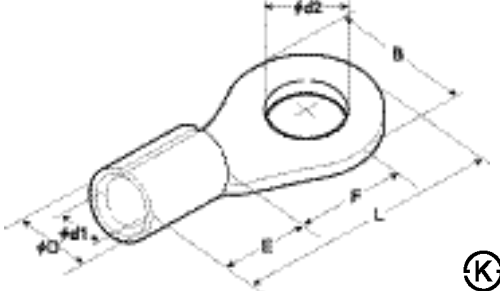
K 98-0346
 G KR9554
 UL E134962
 SR LR95446

Standard	Type	Order No.	Dimension (mm)								Material Thickness (t)	Wire Range			Crimp Tool	Packaging
			d2	B	L	F	E	D	d1	Solid (mm)		Stranded (mm)	AWG (#)			
	R0.3-2	50851-7012	2.2	5.2	12.0	4.9	5.0	2.3	0.8	0.65	0.32	0.1	26-24	57343-5001	10,000	
	R0.3-3	50851-7112	3.2													
	R0.3-3.5	50851-7212	3.7													
	R0.3-4	50851-7312	4.3													
	R0.5-2	50852-7112	2.2	5.2	12.5	5.9	4.0	2.3	1.2	0.5	0.5	0.2	24-20	57343-5001	10,000	
	R0.5-3	50852-7212	3.2													
	R0.5-3.5	50852-7312	3.7													
	R0.5-4	50852-7412	4.3													
	R0.5-5	50852-7512	5.3	8.0	15.0	7.7	4.5	3.4	1.7	0.8	0.57	0.25	22-16	57257-5000	10,000	
	R1.25-2	50519-7025	2.5													
	R1.25-3	50224-7112	3.3													
	R1.25-M3	50519-7125	3.2													
	R1.25-V3	50519-7225	3.2	6.6	14.4	6.6	4.5	3.4	1.7	0.8	0.75	0.25	22-16	57257-5000	10,000	
	R1.25-3.5	50224-7212	3.8													
	R1.25-S3.5	50519-7325	3.7													
	R1.25-M3.5	50519-7425	3.7													
	R1.25-4	50224-7312	4.4	8.0	15.7	7.2	4.5	3.4	1.7	0.8	0.75	0.25	22-16	57343-9005	10,000	
	R1.25-S4	50519-7525	4.3													
	R1.25-5	50224-7412	5.4													
	R1.25-6	50519-7625	6.4													
	R1.25-8	50519-7725	8.4	11.5	20.2	10.0	4.5	3.4	1.7	0.8	0.75	0.25	22-16	57343-9005	10,000	
	R1.25-10	50519-7825	10.5													
	R2-3	50240-7025	3.2													
	R2-M3	50240-7125	3.2													
	R2-L3	50240-7225	3.2	5.5	12.4	4.6	4.5	3.4	1.7	0.8	1.14	1.04	16-14	57257-5000	10,000	
	R2-3.5	50225-7112	3.8													
	R2-M3.5	50240-7325	3.7													
	R2-L3.5	50240-7425	3.7													
	R2-4	50225-7212	4.4	8.5	16.7	7.7	4.5	3.4	1.7	0.8	1.14	1.04	16-14	57257-5000	10,000	
	R2-S4	50240-7525	4.3													
	R2-M4	50240-7625	4.3													
	R2-S5	50240-7725	5.3													
	R2-5	50225-7312	5.4	9.5	16.7	7.2	4.8	4.1	2.4	0.8	1.14	1.04	16-14	57257-5000	6,000	
	R2-6	50225-7412	6.5													
	R2-8	50240-7825	8.5													
	R2-10	50240-7925	10.5													
	R2-12	50240-7026	13.0	17.0	26.9	13.9	4.8	4.1	2.4	0.8	1.14	1.04	16-14	57257-5000	6,000	
	R3.5-3	50855-7012	3.2													
	R3.5-4	50855-7112	4.3													
	R3.5-5	50855-7212	5.3													
	R3.5-6	50855-7312	6.4	12.0	21.8	10.5	5.3	5.0	3.0	1.0	1.82	2.63	12	57257-5000	6,000	
	R3.5-8	50855-7412	8.4													
	R3.5-10	50855-7512	10.5													
	R3.5-10	50855-7512	10.5													

가

Non-Insulated Solderless Terminals

R Ring Tongue



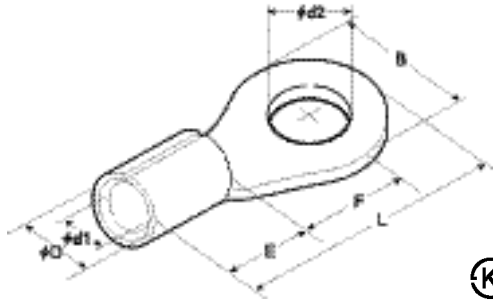
K 98-0346
 G KR9554
 UL E134962
 SR LR95446

Standard	Type	Order No.	Dimension (mm)								Material Thickness (t)	Wire Range			Crimp Tool	Packaging							
			d2	B	L	F	E	D	d1	Solid (mm)		Stranded (mm)	AWG (#)										
	R5.5-S3	50856-7012	3.2	7.2	15.8	5.9	6.5	5.6	3.5	1.0	1.82	2.63	12-10	57257-5000	10,000								
	R5.5-M3	50856-7112		7.1	18.3	8.5									6,000								
	R5.5-S3.5	50856-7212		7.2	15.8	5.9									10,000								
	R5.5-M3.5	50856-7312		7.1	18.3	8.5									6,000								
	R5.5-4	50226-7112	4.4	9.5	19.7	8.5	6.5	5.6	3.5	1.0	1.82	2.63	12-10	57257-5000	10,000								
	R5.5-S4	50856-7025	4.3	7.2	15.8	5.9									6,000								
	R5.5-M4	50856-7412	7.1	18.3	8.5	10,000																	
	R5.5-5	50226-7212	5.4	9.5	19.7	8.5									6,000								
	R5.5-S5	50856-7512	5.3	8.0	18.8	8.5	6.7	5.6	3.5	1.0	1.82	2.63	12-10	57257-5000	6,000								
	R5.5-L5	50856-7612		12.0	22.5	10.2									6,000								
	R5.5-6	50226-7312		6.5	7.2	15.8									5.9	10,000							
	R5.5-8	50226-7412		8.5	7.1	18.3									8.5	6,000							
	R5.5-10	50856-7125	10.5	15.0	28.0	14.0	6.5	5.6	3.5	1.0	1.82	2.63	12-10	57257-5000	12,000								
	R5.5-12	50856-7225		13.0	20.0	32.0									15.7	6,000							
	R5.5-14	50856-7712		15.0	27.3	13.5									10,000								
	R5.5-16	50856-7812		17.0	15.0	27.3									13.5	6,000							
	R5.5-20	50856-7912	21.0	32.0	48.0	25.7	6.5	5.6	3.5	1.0	1.82	2.63	12-10	57257-5000	10,000								
	R8-4	50555-7412	4.4	12.0	9.2	23.5									8.3	7.0	4.5	1.2	2.89	6.64	8	57257-5000	1,200
	R8-S4	50555-7712		9.0	10.7																		
	R8-5	50555-7012	5.4	12.0	9.2	8.3																	7.0
	R8-S5	50555-7812	5.3	10.0	10.2																		
	R8-L5	50555-7612	5.4	15.0	13.7		6,000																
	R8-6	50555-7112	6.5	12.0	9.2		10,000																
	R8-S6	50857-7012	6.4	10.0	10.2	8.3	7.0	4.5	1.2	2.89	6.64	8	57257-5000	1,200									
	R8-L6	50555-7512	6.5	15.0	13.7									6,000									
	R8-8	50555-7212	8.5	12.0	9.2									8.3	7.0	4.5	1.2	2.89	6.64	8	57257-5000	1,200	
	R8-10	50555-7312	10.6	29.5	13.7																	6,000	
	R8-12	50555-7912	13.2	29.5	13.7	8.3	7.0	4.5	1.2	2.89	6.64	8	57257-5000									1,200	
	R8-14	50857-7112	15.0	34.0	15.7																	6,000	
	R8-16	50857-7212	17.0	20.0	34.0									15.7	8.3	7.0	4.5	1.2	2.89	6.64	8	57257-5000	1,200
	R8-20	50857-7312	21.0	34.0	15.7									6,000									
	R14-5	50556-7012	5.4	12.0	13.5	10.0	9.1	5.8	1.6	3.65	10.52	6	57343-5004	12,000									
	R14-S5	50556-7712	5.3	10.0	14.5																		6,000
	R14-6	50556-7112	6.5	12.0	13.5										6,000								
	R14-S6	50556-7812	6.4	10.0	14.5										6,000								
	R14-8	50556-7212	8.5	16.0	32.6	14.6	10.0	9.1	5.8	1.6	3.65	10.52	6	57343-5004	12,000								
	R14-S8	50556-7512		12.0	29.5	13.5										6,000							
	R14-10	50556-7312		10.6	16.0	32.6										14.6	6,000						
	R14-11	50556-7612		11.6	32.6	14.6										6,000							
	R14-12	50556-7412	13.1	22.0	41.0	20.0	10.0	9.1	5.8	1.6	3.65	10.52	6	57343-5004	1,000								
	R14-14	50858-7112	15.2	41.0	20.0	6,000																	
	R14-16	50858-7212	17.2	22.0	41.0	20.0										6,000							
	R14-20	50858-7012	21.0	30.0	49.0	24.0										6,000							

가

Non-Insulated Solderless Terminals

R Ring Tongue



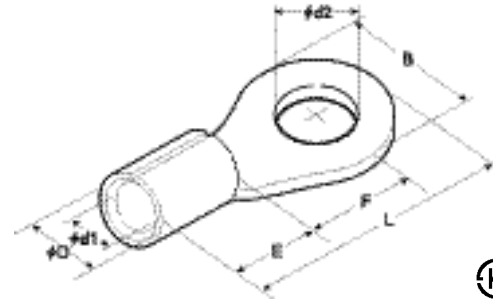
98-0346
 KR9554
 E134962
 LR95446

Standard	Type	Order No.	Dimension (mm)							Material Thickness	Wire Range			Crimp Tool	Packaging		
			d2	B	L	F	E	D	d1		Solid (mm)	Stranded (mm)	AWG (#)				
	R22-5	50557-7412	5.4	16.5	33.4	13.7	11.5	11.4	7.7	1.8	4.62	16.78	-26.66	4	57343-5012	1,000	
	R22-S5	50859-7112	5.3	12.0		15.5	11.4									1,200	
	R22-6	50557-7012	6.5	16.5		13.7	11.5									1,000	
	R22-S6	50859-7212	6.4	12.0		15.5	11.4									1,200	
	R22-8	50557-7112	8.5	16.5		13.7	11.5									1,000	
	R22-S8	50859-7312	8.4	12.0		15.5	11.4									1,200	
	R22-M8	50557-7013	8.5	14.0		13.7											
	R22-10	50557-7212	10.6	17.5		37.1	16.9										
	R22-S10	50557-7512	10.6	16.5		33.4	13.7									1,000	
	R22-11	50557-7612	11.6	22.0		41.8	19.3									11.5	
	R22-12	50557-7312	13.1														
	R22-14	50557-7712	15.2														
	R22-16	50557-7812	17.2	30.0		50.4	23.9										800
	R22-20	50557-7912	21.2														
	R38-5	50558-7812	5.4	22.0	42.0	17.8	13.2	9.4	1.8	5.81	26.66	-42.42	2	57343-5012	800		
	R38-S5	50558-7512		16.0	38.0	16.8											
	R38-6	50558-7012	6.5	22.0	42.0	17.8											
	R38-S6	50558-7612		16.0	38.0	16.8											
	R38-8	50558-7212	8.5	22.0	42.0	17.8											
	R38-S8	50558-7112		16.0	38.0	16.8											
	R38-10	50558-7312	10.6	22.0	42.0	17.8										13.2	
	R38-S10	50558-7712		16.0	38.0	16.8											
	R38-11	50558-7912	11.6	22.0	42.0	17.8											
	R38-12	50558-7412	13.1														
R38-14	50860-7012	15.2															
R38-16	50860-7112	17.2	30.0	52.0	23.5	13.0	600										
R38-20	50860-7212	21.2															
	R60-6	50541-7012	6.4	22.0	49.7	20.7	18.0	15.5	11.4	2.0	7.34	42.42	-60.57	1/0	57343-5012	400	
	R60-8	50541-7125	8.4														
	R60-10	50541-7225	10.5														
	R60-11	50541-7325	11.5														
	R60-12	50541-7425	13.0														
	R60-14	50541-7525	15.0														
	R60-16	50541-7625	17.0														
	R60-18	50541-7725	19.0														
	R60-20	50541-7825	21.0														
	R60-24	50541-7925	25.0														
	R70-6	50862-7025	6.4	24.0	51.0	20.0	19.0	17.5	13.3	2.0	8.26	60.57	-76.28	2/0	57343-5013	400	
	R70-8	50862-7125	8.4														
	R70-10	50862-7225	10.5														
	R70-11	50862-7325	11.5														
	R70-12	50862-7425	13.0														
	R70-14	50862-7525	15.0														
	R70-16	50862-7625	17.0														
	R70-18	50862-7725	19.0														
	R70-20	50862-7825	21.0														
	R70-24	50862-7925	25.0														

가

Non-Insulated Solderless Terminals

R Ring Tongue



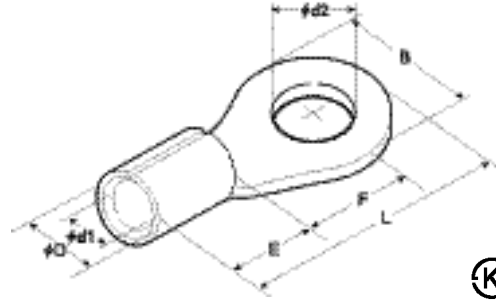
98-0346
 KR9554
 E134962
 LR95446

Standard	Type	Order No.	Dimension (mm)							Material Thickness	Wire Range			Crimp Tool	Packaging																					
			d2	B	L	F	E	D	d1		Solid (mm)	Stranded (mm)	AWG (#)																							
	R80-6	50542-7025	6.4	27.0	54.2	20.7	20.0	19.5	14.5	2.35	9.27	76.28	-96.3	3/0	57343-5013	250																				
	R80-8	50542-7125	8.4																																	
	R80-L8	50542-7525	8.4														32.0	68.0	32.0																	
	R80-10	50542-7225															10.5	27.0	54.2	20.7																
	R80-L10	50542-7625	32.0															68.0	32.0																	
	R80-11	50542-7325	11.5														27.0	54.2	20.7																	
	R80-12	50542-7425	13.0														32.0	68.0	32.0																	
	R80-L12	50542-7725																																		
	R80-14	50542-7825	15.0																																	
	R80-16	50542-7925	17.0																																	
	R80-18	50542-7026	19.0																																	
	R80-20	50542-7126	21.0																																	
	R80-24	50542-7226	25.0																																	
	R100-6	50543-7025	6.4																	28.5	55.6	20.4	21.0	22.3	16.4	2.65	10.41	96.3	-117.2	4/0	57343-5013	200				
	R100-8	50543-7125	8.4																																	
	R100-L8	50543-7525	8.4																														32.0	69.0	32.0	
	R100-10	50543-7225																															10.5	28.5	55.6	20.4
	R100-L10	50543-7625	32.0																															69.0	32.0	
	R100-11	50543-7325	11.5																														28.5	55.6	20.4	
	R100-12	50543-7425	13.0																														32.0	69.0	32.0	
	R100-L12	50543-7725																																		
	R100-14	50543-7825	15.0																																	
	R100-16	50543-7925	17.0																																	
	R100-18	50543-7026	19.0																																	
R100-20	50543-7126	21.0																																		
R100-24	50543-7226	25.0																																		
R125-8	35763-7112	8.4	32.5	62.0	21.25	24.5	24.5	18.0	3.25	11.68	117.2	-125	250	MCM	57343-5013	200																				
R125-10	35763-7212	10.5																																		
R125-12	35763-7312	13.0																																		
R125-16	35763-7412	17.0																																		
	R150-6	50544-7025	6.4	36.0	66.0	23.0	27.0	26.5	19.5	3.25	11.68	117.2	-152.05	250-300	MCM	57343-5013	120																			
	R150-8	50544-7125	8.4																																	
	R150-L8	50544-7126	8.4															81.0	36.0																	
	R150-10	50544-7225																10.5	66.0																	21.0
	R150-S10	50544-7225	66.0																23.0																	
	R150-L10	50544-7226	10.5															81.0	36.0																	
	R150-11	50544-7325																11.5	23.0																	
	R150-12	50544-7825	13.0															66.0	21.0																	
	R150-S12	50544-7425																66.0	23.0																	
	R150-L12	50544-7326	15.0															81.0	36.0																	
	R150-14	50544-7925																68.0																		
	R150-S14	50544-7525	17.0															66.0	23.0																	
	R150-16	50544-7026																68.0																		
	R150-S16	50544-7625	17.0															66.0																		
	R150-L16	50544-7426																66.0																		
	R150-18	50544-7526	19.0																																	
	R150-20	50544-7626	21.0															81.0	36.0																	
R150-22	50544-7726	23.0																																		
R150-24	50544-7826	25.0																																		
R150-27	50544-7926	28.0																																		

가

Non-Insulated Solderless Terminals

R Ring Tongue



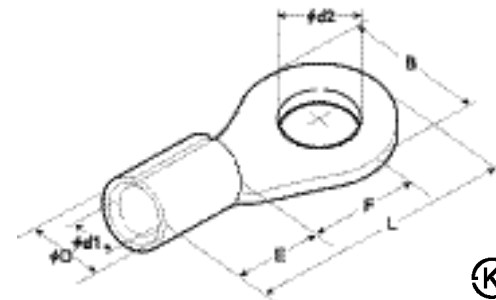
98-0346
 KR9554
 E134962
 LR95446

Standard	Type	Order No.	Dimension (mm)							Material Thickness (t)	Wire Range			Crimp Tool	Packaging			
			d2	B	L	F	E	D	d1		Solid (mm)	Stranded (mm)	AWG (#)					
	R180-8	50866-7025	8.4	38.5	69.0	24.5	28.5	28.5	21.0	3.5	13.8	152.05	300-350	57343-9001	160			
	R180-L8	50866-7625			86.8	39.0									120			
	R180-10	50866-7125	10.5		69.0	24.5									160			
	R180-L10	50866-7725			86.8	39.0									120			
	R180-11	50866-7225	11.5		69.0	24.5									160			
	R180-12	50866-7325	13.0		86.8	39.0									120			
	R180-L12	50866-7825			69.0	24.5									160			
	R180-14	50866-7425	15.0		86.8	39.0									120			
	R180-L14	50866-7925			69.0	24.5									160			
	R180-16	50866-7525	17.0		86.8	39.0									120			
	R180-L16	50866-7026	19.0															
	R180-18	50866-7126	21.0															
	R180-20	50866-7226	23.0															
	R180-22	50866-7326	25.0															
	R180-24	50866-7426	28.0															
	R180-27	50866-7526	28.0															
	R200-8	50409-7025	8.4	72.0			24.5	31.5	32.7	24.0	4.0	15.6	192.6	400		57343-9001	60	
	R200-L8	50409-7026		91.0			37.5											160
	R200-10	50409-7625	10.5	78.0			24.5											160
	R200-S10	50409-7125		72.0	24.5	160												
	R200-L10	50409-7126	11.5	91.0	37.5	160												
	R200-11	50409-7225		72.0	24.5	160												
	R200-12	50409-7725	13.0	78.0	24.5	160												
	R200-S12	50409-7325		72.0	24.5	160												
	R200-L12	50409-7226	15.0	91.0	37.5	160												
	R200-14	50409-7825		78.0	24.5	160												
	R200-S14	50409-7425	17.0	72.0	24.5	160												
	R200-L14	50409-7326		91.0	37.5	160												
	R200-16	50409-7925	19.0	78.0	24.5	160												
	R200-S16	50409-7525		72.0	24.5	160												
	R200-L16	50409-7426	91.0	37.5	160													
	R200-18	50409-7526				21.0												
	R200-20	50409-7626				23.0												
	R200-22	50409-7726				25.0												
	R200-24	50409-7826				28.0												
	R200-27	50409-7926				28.0												
	R250-10	50796-7012				10.5	44.0	78.0	24.5	31.5	35.6	26.0	4.5	15.6	250	400	57343-9001	60
	R250-12	50796-7112				13.0												
	R250-14	50796-7212				15.0												
	R250-16	50796-7312				17.0												
	R250-20	50796-7412	21.0															

가

Non-Insulated Solderless Terminals

R Ring Tongue



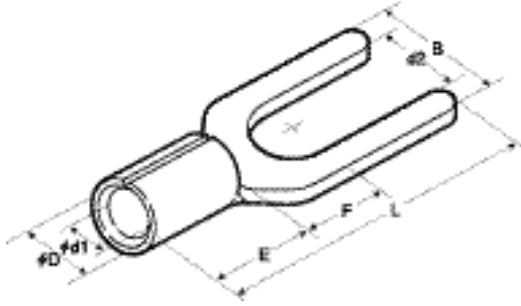
98-0346
 KR9554
 E134962
 LR95446

Standard	Type	Order No.	Dimension (mm)							Material Thickness (t)	Wire Range			Crimp Tool	Packaging	
			d2	B	L	F	E	D	d1		Solid (mm)	Stranded (mm)	AWG (#)			
	R325-8	50411-7025	8.4	50.5	88.0	33.5	35.5	37.6	28.0	4.5	17.5	242.27	500-600	57343-9001	60	
	R325-L8	50411-7825			105.7	45.0										160
	R325-10	50411-7125	10.5		88.0	33.5										160
	R325-L10	50411-7925			105.7	45.0										160
	R325-11	50411-7225	11.5		88.0	33.5										160
	R325-12	50411-7325	13.0		105.7	45.0										160
	R325-L12	50411-7026			88.0	33.5										160
	R325-14	50411-7425	15.0		105.7	45.0										160
	R325-L14	50411-7126			94.2	33.5										160
	R325-16	50411-7625	17.0		88.0	33.5										160
	R325-S16	50411-7525		105.7	45.0	160										
	R325-L16	50411-7226	19.0	94.2	33.5	160										
	R325-18	50411-7326		105.7	45.0	160										
	R325-M18	50411-7725	21.0	105.7	45.0	160										
	R325-20	50411-7426					21.0									
	R325-22	50411-7526					23.0									
	R325-24	50411-7626					25.0									
	R325-27	50411-7726	28.0													

가

Non-Insulated Solderless Terminals

Y Spade Tongue



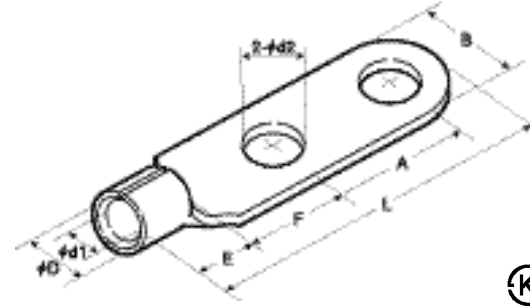
UL E134962 SF LR95446

Standard	Type	Order No.	Dimension (mm)							Material Thickness	Wire Range			Crimp Tool	Packaging											
			d2	B	L	F	E	D	d1		Solid (mm)	Stranded(mm)	AWG (#)													
UL SF	Y0.5-2	50460-7025	2.2	5.2	12.5	5.9	4.0	2.3	1.2	0.5	0.5	0.2	24-20	57343-5001	10,000											
UL SF	Y0.5-3	50460-7125	3.2	6.6	15.0	7.7																				
UL SF	Y0.5-3.5	50460-7225	3.7																							
UL SF	Y0.5-4	50460-7325	4.3																							
UL SF	Y0.5-5	50460-7425	5.3													8.0	7.0									
UL SF	Y1.25-3	50322-7212	3.2	5.8	16.0	6.6	4.5	3.4	1.7	0.8	0.57	0.3	22-16	57257-5000												
UL SF	Y1.25-3S	50322-7112	3.7	5.7	15.0	5.8																				
UL SF	Y1.25-3.5	50322-7312																								
UL SF	Y1.25-3.5SS	50322-7012																								
UL SF	Y1.25-3.5L	50322-7412																								
UL SF	Y1.25-4	50322-7612	4.3	6.4	16.0	6.6																				
UL SF	Y1.25-4S	50322-7512																								
UL SF	Y1.25-4L	50322-7712																								
UL SF	Y1.25-5	50322-7812													5.3	9.5	16.4	7.3								
UL SF	Y1.25-6	50322-7912	6.4	11.0	20.0	8.6									4.5	4.1	2.4	0.8	1.14	1.04	16-14	57343-5002				
UL SF	Y2-3	50323-7112	3.2	5.9	15.8	6.6																				
UL SF	Y2-3.5	50323-7212	3.7	5.7	16.0	7.6																				
UL SF	Y2-3.5SS	50323-7912																								
UL SF	Y2-3.5L	50323-7312																								
UL SF	Y2-4	50323-7512					7.0	7.3																		
UL SF	Y2-4S	50323-7412	4.3	6.4	16.0	6.6																				
UL SF	Y2-4L	50323-7612					8.0	7.3																		
UL SF	Y2-5	50323-7712	5.3	9.5	16.8	8.6	6.5	5.6	3.5	1.0	1.82	2.63	12-10	57257-5000												
UL SF	Y2-6	50323-7812	6.4	12.0	20.0	8.6																				
UL SF	Y3.5-4	50891-7112	4.3	8.0	17.8	7.5																				
UL SF	Y3.5-5	50891-7212													5.3	5.3	5.0	3.0	1.0	1.82	2.63	12	57343-5004			
UL SF	Y5.5-4	50324-7212	4.3	8.4	18.2	7.2																				
UL SF	Y5.5-4S	50324-7112													9.0	6.5	5.6	3.5	1.0	1.82	2.63	12-10	57257-5000			
UL SF	Y5.5-5	50324-7312													5.3	9.0	25.2	12.0	6.5	5.6	3.5	1.0	1.82	2.63	12-10	57343-9005
UL SF	Y5.5-6	50324-7412													6.4	12.5	25.2	12.0								

Contact Molex.
가

Non-Insulated Solderless Terminals

RD Double-Hole



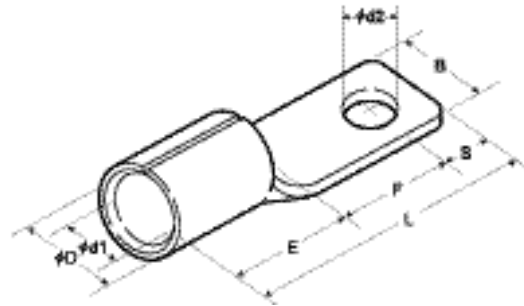
K 98-0346 KR9554 UL E134962 SF LR95446

Standard	Type	Order No.	Dimension (mm)							Material Thickness	Wire Range			Crimp Tool	Packaging	
			d2	B	L	A	F	E	D		d1	Solid (mm)	Stranded(mm)			AWG (#)
UL SF	RD38-10	50869-7025	11.0	22.0	84.0	32.0	28.0	13.0	13.3	9.4	1.8	5.81	26.66	2	57343-5012	
UL SF	RD38-12	50869-7125	14.0			40.0	20.0								57343-5013	
UL SF	RD38-X	50869-7225	-			-	-								57343-9003	
K UL SF	RD60-10	50442-7025	11.0	32.0	97.0	81.0	32.0	18.5	15.5	11.4	2.0	7.34	42.42	1/0	57343-5012	
K UL SF	RD60-12	50442-7125	14.0			89.0	40.0								19.5	57343-5013
K UL SF	RD60-14	50442-7225	16.0			-	-								22.5	57343-9001
UL SF	RD60-X	50442-7325	-	-	-	-	57343-9002									
UL SF	RD70-10	50871-7025	11.0	24.0	91.0	83.0	32.0	19.0	17.5	13.3	2.0	8.26	60.57	2/0	57343-5013	
UL SF	RD70-12	50871-7125	14.0			40.0	20.0								57343-9004	
UL SF	RD70-X	50871-7225	-			-	-								-	57343-9004
K UL SF	RD80-10	50443-7025	11.0	27.0	99.0	86.0	32.0	19.5	19.5	14.5	2.3	9.27	76.28	3/0	57343-5013	
K UL SF	RD80-12	50443-7125	14.0			94.0	21.0								57343-9001	
K UL SF	RD80-14	50443-7225	16.0			40.0	23.5								57343-9002	
UL SF	RD80-X	50443-7325	-	-	-	-	57343-9004									
K UL SF	RD100-10	50444-7025	11.0	32.0	99.0	87.0	32.0	19.5	22.3	16.4	2.6	10.41	96.3	4/0	57343-5013	
K UL SF	RD100-12	50444-7125	14.0			95.0	21.3								57343-9001	
K UL SF	RD100-14	50444-7225	16.0			40.0	23.5								57343-9002	
UL SF	RD100-X	50444-7325	-	-	-	-	57343-9004									
K UL SF	RD150-12	50445-7025	14.0	36.0	106.0	40.0	21.0	27.0	26.5	19.5	3.2	11.68	117.2	250-300	57343-5013	
K UL SF	RD150-14	50445-7125	16.0			40.0	21.0								57343-9001	
UL SF	RD150-X	50445-7225	-			-	-								-	57343-9002
UL SF	RD150-12	50445-7025	14.0	38.5	111.0	40.0	23.3	28.5	28.5	21.0	3.5	13.8	152.05	300-350	57343-9001	
UL SF	RD180-12	50446-7025	14.0			40.0	23.3								57343-9002	
UL SF	RD180-14	50446-7125	16.0			-	-								-	57343-9002
UL SF	RD180-X	50446-7225	-	-	-	-	57343-9002									
K UL SF	RD200-12	50447-7025	14.0	44.0	117.0	40.0	21.8	33.2	32.7	24.0	4.0	15.6	192.6	400MCM	57343-9001	
K UL SF	RD200-14	50447-7125	16.0			40.0	21.8								57343-9002	
UL SF	RD200-X	50447-7225	-			-	-								-	57343-9002
UL SF	RD250-12	50798-7012	14.0	44.0	117.0	40.0	21.8	33.2	35.6	26.0	4.5	15.6	192.6	400MCM	57343-9001	
UL SF	RD250-14	50798-7112	16.0			40.0	21.8								57343-9002	
UL SF	RD250-X	50798-7212	-			-	-								-	57343-9002
K UL SF	RD325-12	50448-7025	14.0	50.5	124.0	40.0	22.3	36.5	37.6	28.0	4.5	17.5	242.27	500-600	57343-9001	
K UL SF	RD325-14	50448-7125	16.0			40.0	22.3								57343-9002	
UL SF	RD325-X	50448-7225	-			-	-								-	57343-9002

가

Non-Insulated Solderless Terminals

CB Circuit Breaker Terminal



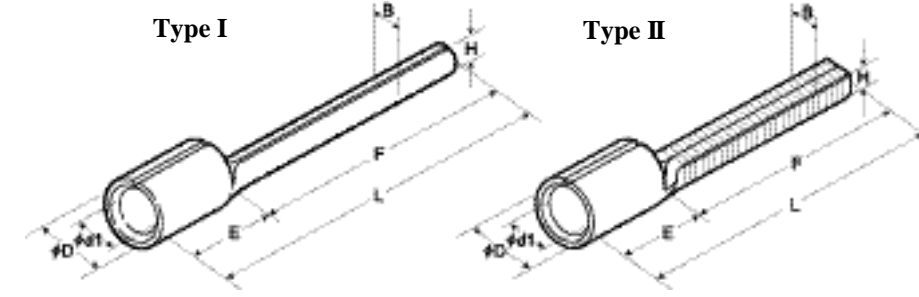
UL E134962 SF LR95446

Standard	Type	Order No.	Dimension (mm)									(t) Material Thickness	Wire Range			Crimp Tool	Packaging
			d2	B	L	F	S	E	D	d1	Solid (mm)		Stranded(mm)	AWG (#)			
	CB22-5S	50449-7025	5.3	12.5	30.8	13.5	5.5	11.8	11.5	7.7	1.8	4.62 ~5.81	16.78 ~26.66	4	57343-5012 57343-5013 57343-9003 57343-9004	1,200	
	CB22-6S	50449-7125	6.4			12.6	6.4										
	CB22-8S	50449-7225	8.2			12.6	6.4										
	CB38-5S	50450-7025	5.3	13.5	36.9	16.4	7.5	13.0	13.3	9.4	1.8	5.81 ~7.34	26.66 ~42.42	2	57343-5012 57343-5013 57343-9003 57343-9004	1,000	
	CB38-6S	50450-7125	6.4														5.5
	CB38-6N	50450-7225	6.4														5.5
UL	CB60-6S	50451-7025	6.4	16.0	49.5	20.0	11.0	18.5	15.5	11.4	2.0	7.34 ~8.26	42.42 ~60.57	1/0	57343-5012 57343-5013 57343-9001 57343-9002 57343-9003 57343-9004	500	
UL	CB60-8	50451-7125	8.4														8.0
UL	CB60-8S	50451-7225	8.4														8.0
UL	CB60-10S	50451-7325	10.5	22.0	50.0	20.0	11.0	19.0	19.5	14.5	2.3	9.27 ~10.41	76.28 ~96.3	3/0	57343-5013 57343-9001 57343-9002 57343-9004	250	
UL	CB80-8	50452-7025	8.4														49.0
UL	CB80-8S	50452-7125	8.4														49.0
UL	CB80-10	50452-7225	10.5	22.0	50.0	20.0	11.0	19.0	19.5	14.5	2.3	9.27 ~10.41	76.28 ~96.3	3/0	57343-5013 57343-9001 57343-9002 57343-9004	250	
UL	CB80-10S	50452-7325	10.5														49.0
UL	CB80-12S	50452-7425	13.0														49.0
UL	CB100-8	50453-7025	8.4	22.0	52.0	21.0	11.0	20.0	22.3	16.4	2.6	10.41 ~11.68	96.3 ~117.2	4/0	57343-5013 57343-9001 57343-9002 57343-9004	250	
UL	CB100-8S	50453-7125	8.4														53.0
UL	CB100-10	50453-7225	10.5														52.0
UL	CB100-10S	50453-7325	10.5	22.0	52.0	21.0	11.0	20.0	22.3	16.4	2.6	10.41 ~11.68	96.3 ~117.2	4/0	57343-5013 57343-9001 57343-9002 57343-9004	250	
UL	CB100-12S	50453-7425	13.0														53.0
UL	CB150-8	50454-7025	8.4														60.3
UL	CB150-8S	50454-7125	8.4	25.0	61.3	22.3	12.5	27.0	26.5	19.5	3.2	11.68 ~13.8	117.2 ~152.05	250-300 MCM	57343-5013 57343-9001 57343-9002 57343-9004	160	
UL	CB150-10	50454-7225	10.5														61.3
UL	CB150-10S	50454-7325	10.5														61.3
UL	CB150-12S	50454-7425	13.0	22.0	61.3	22.3	12.0	27.0	26.5	19.5	3.2	11.68 ~13.8	117.2 ~152.05	250-300 MCM	57343-5013 57343-9001 57343-9002 57343-9004	160	
UL	CB200-10S	50455-7025	10.5														36.0
UL	CB200-12S	50455-7125	13.0														36.0
	CB325-10	50885-7025	10.5	44.0	85.5	32.0	17.0	36.5	37.6	28.0	4.5	17.5 ~20.3	242.27 ~325.0	500-600 MCM	57343-9001 57343-9002	60	
	CB325-10S	50885-7125															38.5
	CB325-12	50885-7225															13.0
	CB325-12S	50885-7325	13.0	38.5													

가

Non-Insulated Solderless Terminals

A Wire Pin Terminal



UL E134962 SF LR95446

Standard	Type	Order No.	Type	Dimension (mm)									(t) Material Thickness	Wire Range			Crimp Tool	Packaging
				B	H	L	F	E	D	d1	Solid (mm)	Stranded(mm)		AWG (#)				
UL	A-1.25	50896-7112		1.7	1.7	17.0	12.7	4.3	3.4	1.7	0.8	0.57 ~1.44	0.25 ~1.65	22-16	57343-5002	10,000		
UL	A-1.25LB	50896-7212		1.8	1.8	21.3	17.0								57343-9005			
UL	A-2	50896-7312		1.7	1.7	17.0	12.7	4.3	4.2	2.3	0.8	1.14 ~1.82	1.04 ~2.63	16-14	57257-5000	10,000		
UL	A-2LB	50896-7412		1.8	1.8	21.3	17.0								57343-9005			
UL	A-5.5	50896-7512		2.1	2.1	21.0	14.7	6.3	5.6	3.4	1.0	1.82 ~2.89	2.63 ~6.64	12-10	57257-5000	6,000		
UL	A-8	50896-7125		3.5	3.5	33.5	25.2								8.3		7.1	4.5
UL	A-14	50896-7325		4.5	4.5	40.5	30.5	10.0	9.0	5.8	1.6	3.65 ~4.62	10.52 ~16.78	6	57257-5000	1,200		
UL	A-14S	50896-7225		3.5	3.5										57343-5012			
UL	A-22	50896-7425		6.5	6.5	47.0	35.6	11.4	11.5	7.7	1.8	4.62 ~5.81	16.78 ~26.66	4	57343-5012	800		
UL	A-22S	50896-7625		3.5	3.5										57343-5013			
UL	A-38	50896-7525		6.9	6.9	50.0	37.0	13.0	13.3	9.4		5.81 ~7.34	26.66 ~42.42	2	57343-9004	500		

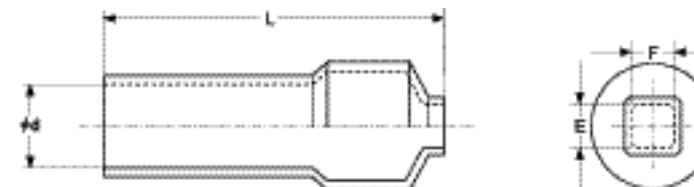
Contact Molex.

A Wire Pin Terminal with Insulation Cap

Type	Order No.	Packaging	Type	Order No.	Packaging
A-1.25-CP	50896-0150	1,000	A-14S-CP	50896-0850	100
A-2-CP	50896-0350		A-22-CP	50896-0950	
A-5.5-CP	50896-0550	100	A-22S-CP	50896-1050	50
A-8-CP	50896-0650		A-38-CP	50896-1150	
A-14-CP	50896-0750				

Contact Molex.

A Insulation Cap for Wire Pin Terminal



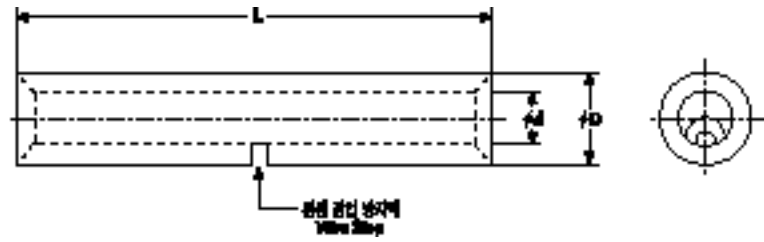
Type	Order No.	Dimension (mm)				Applicable Terminal	Packaging
		d	E	F	L		
CA-1.25 / 2	59834-0150	3.2	1.8	1.8	16.5	A-1.25, A-1.25LB, A-2, A2LB	1,000
CA-5.5	59834-0250	5.2	2.2	2.2	22.5	A-5.5	
CA-8	59834-0350	6.5	3.5	3.5	30.5	A-8	100
CA-14	59834-0450	8.5	4.5	4.5	37.0	A-14, A-14S	
CA-22	59834-0550	10.0	6.5	6.5	50.5	A-22, A-22S	
CA-38	59834-0650	12.0	6.9	6.9	58.0	A-38	

Contact Molex.

가

Non-Insulated Splices

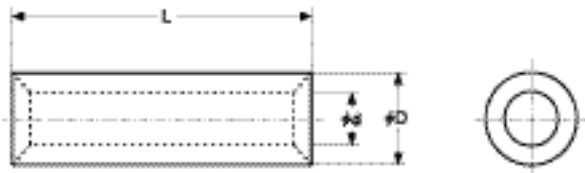
B Butt Splice



KR9997 UL SP In Process Request

Standard	Type	Order No.	Dimension (mm)			Material Thickness (t)	Wire Range			Crimp Tool	Packaging
			L	d	D		Solid (mm)	Stranded(mm)	AWG (#)		
☞	B-1.25	50530-7125	15.0	1.7	3.3	0.8	0.57-1.44	0.25~1.65	22-16	57343-5002, 57343-9005	10,000
☞	B-2	50530-7225		2.3	4.1	0.9	1.14~1.82	1.04~2.63	16-14	57257-5000, 57343-5002, 57343-9005	
☞	B-5.5	50530-7325		3.4	5.4	1.0	1.82~2.89	2.63~6.64	12-10	57257-5000, 57343-9005	
☞	B-8	50530-7425	21.0	4.5	7.0	1.25	2.89~3.65	6.64~10.52	8	57257-5000	1,200
☞	B-14	50530-7525	26.0	5.8	8.9	1.55	3.65~4.62	10.52~16.78	6	57257-5000, 57343-5012, 57343-5013, 57343-9003, 57343-9004	1,200
☞	B-22	50530-7625	29.0	7.7	11.3	1.8	4.62~5.81	16.78~26.66	4	57343-5012, 57343-5013	1,000
☞	B-38	50530-7725	32.0	9.4	13.2	1.9	5.81~7.34	26.66~42.42	2	57343-9003, 57343-9004	800
☞	B-60	50530-7825	36.0	11.4	15.3	1.95	7.34~8.26	42.42~60.57	1/0	57343-5012, 57343-5013, 57343-9001, 57343-9002, 57343-9003, 57343-9004	500
☞	B-70	50530-7925	37.0	13.3	17.5	2.1	8.26~9.27	60.57~76.28	2/0	57343-5013, 57343-9004	400
☞	B-80	50530-7026	38.0	14.5	19.5	2.5	9.27~10.41	76.28~96.3	3/0	57343-5013, 57343-9001	250
☞	B-100	50530-7126		16.4	22.1	2.85	14.91~11.68	96.3~117.2	4/0		57343-9002, 57343-9004
☞	B-150	50530-7226	54.0	19.5	26.4	3.45	11.68~13.8	117.2~152.05	250-300 MCM	57343-9001	160
☞	B-180	50530-7326	57.0	21.0	28.5	3.75	13.8~15.6	152.05~192.6	300-350 MCM		
☞	B-200	50530-7426	63.0	24.0	32.4	4.2	15.6~17.5	192.6~242.27	400 MCM	57343-9002	72
☞	B-325	50530-7526	72.0	28.0	37.0	4.5	17.5~20.3	242.27~325.0	500-600 MCM		54

P Parallel Splice

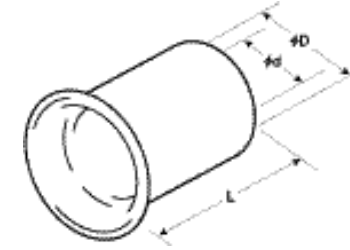


KR9997 UL SP In Process Request

Standard	Type	Order No.	Dimension (mm)			Material Thickness (t)	Wire Range			Crimp Tool	Packaging
			L	d	D		Solid (mm)	Stranded(mm)	AWG (#)		
☞	P-1.25	50532-7125	8.0	1.7	3.3	0.8	0.57~1.44	0.25~1.65	22-16	57343-5002, 7343-9005	10,000
☞	P-2	50532-7225		2.3	4.1	0.9	1.14~1.82	1.04~2.63	16-14	57257-5000, 57343-5002, 57343-9005	
☞	P-5.5	50532-7325	8.5	3.4	5.4	1.0	1.82~2.89	2.63~6.64	12-10	57257-5000, 57343-9005	6,000
☞	P-8	50532-7425	9.5	4.5	7.0	1.25	2.89~3.65	6.64~10.52	8	57257-5000	1,200
☞	P-14	50532-7525	11.0	5.8	8.9	1.55	3.65~4.62	10.52~16.78	6	57257-5000, 57343-5012, 57343-5013, 57343-9003, 57343-9004	1,000
☞	P-22	50532-7625	13.5	7.7	11.3	1.8	4.62~5.81	16.78~26.66	4	57343-5012, 57343-5013	1,000
☞	P-38	50532-7725	16.5	9.4	13.2	1.9	5.81~7.34	26.66~42.42	2	57343-9003, 57343-9004	1,000
☞	P-60	50532-7825	19.0	11.4	15.3	1.95	7.34~8.26	42.42~60.57	1/0	57343-5012, 57343-5013, 57343-9001, 57343-9002, 57343-9003, 57343-9004	500
☞	P-70	50532-7925		13.3	17.5	2.1	8.26~9.27	60.57~76.28	2/0		
☞	P-80	50532-7026	19.5	14.5	19.5	2.5	9.27~10.41	76.28~96.3	3/0	57343-5013, 57343-9001	250
☞	P-100	50532-7126	20.0	16.4	22.1	2.85	10.41~11.68	96.3~117.2	4/0		
☞	P-150	50532-7226	27.0	19.5	26.4	3.45	11.68~13.8	117.2~152.05	250-300 MCM	57343-9001	240
☞	P-180	50532-7326	28.5	21.0	28.5	3.75	13.8~15.6	152.05~192.6	300-350 MCM		
☞	P-200	50532-7426	32.0	24.0	32.4	4.2	15.6~17.5	192.6~242.27	400 MCM	57343-9002	144
☞	P-325	50532-7526	37.0	28.0	37.0	4.5	17.5~20.3	242.27~325.0	500-600 MCM		90

Non-Insulated Splice

E Wire End Ferrule



KR9997

Standard	Type	Order No.	Dimension (mm)			Material Thickness (t)	Current (A)	Cross-Sectional Area (sq)	Crimp Tool	Packaging
			L	d	D					
☞	E- (Small)	50901-7012	10.0	4.0	5.0	0.5	20	5.5	57343-5005	10,000
☞	E- (Medium)	50901-7112		5.3	6.9	0.8	30	8		6,000
☞	E- (Large)	50901-7212		6.1	7.7					

Wire Range Cross Reference

P Parallel Splice

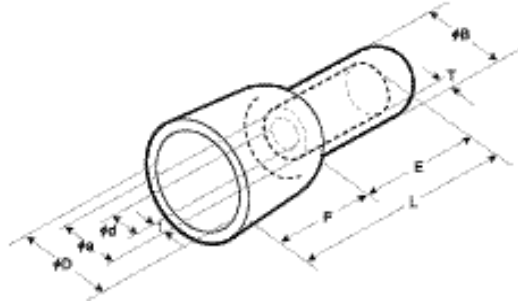
Type	mm ²	AWG (#)
P-0.5	0.3+0.2	22+24
P-1.25	0.3+0.5	20+20
P-2	0.75+0.75 1.25+1.25	18+18 18+16
P-5.5	2+2	14+14
P-8	3.5+3.5	12+12
P-14	5.5+5.5 8+8	10+10 8+8
P-22	8+14	8+6
P-38	14+14	6+6
P-60	22+22 30+30	4+4 3+2
P-70	38+38	2+2
P-80	38+50	2+1/0
P-100	50+50	1/0+1/0
P-150	60+60	2/0+2/0
P-180	80+80	3/0+3/0
P-200	100+100	4/0+4/0
P-325	125+125 150+150	MCM 250+250 300+300

E Wire End Ferrule

Type	Number of Wires			Wire Combinations (mm)				
	1.6mm	2.0mm	2.6mm					
E- (Small)	2	-	-	1.6 x 1 + 0.75mm ² x 1 1.6 x 2 + 0.75mm ² x 1				
	3-4	2	-	2.0 x 1 + 1.6 x 1-2				
E- (Medium)	5-6	3-4	2	2.0 x 1 + 1.6 x 3-5 2.0 x 2 + 1.6 x 1-3 2.0 x 3 + 1.6 x 1 2.6 x 1 + 1.6 x 1-3 2.6 x 1 + 2.0 x 1-2 2.6 x 2 + 1.6 x 1 2.6 x 1 + 2.0 x 1 + 1.6 x 1-2				
				E- (Large)	7	5	3	2.0 x 1 + 1.6 x 6 2.0 x 2 + 1.6 x 4 2.0 x 3 + 1.6 x 2 2.0 x 4 + 1.6 x 1 2.6 x 1 + 2.0 x 3 2.6 x 2 + 1.6 x 2 2.6 x 2 + 2.0 x 1 2.6 x 1 + 2.0 x 2 + 1.6 x 1

Insulated Connectors

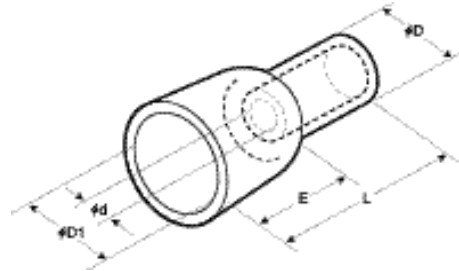
CE Closed-End Connector: CE Type



UL KR9998 UL E29179 SF In Process Request

Standard	Type	Order No.	Dimension (mm)								Wire Range		Conductor Mat'l	Insulator Mat'l	Crimp Tool	Packaging	
			a	d	E	t	B	D	L	F	T	Solid (mm)					AWG (#)
UL	CE-1	50966-7112	3.4	2.4	7.0	0.5	5.0	6.5	20.8	9.5	0.8	0.5-1.75	22-16	66 Nylon 66	Copper, Tin Plating	57343-5010	1,000
UL	CE-2	50966-7212	4.0	3.0	7.3		5.7	8.0	21.0		0.9	1.0-3.0	16-12			57343-5010	
UL	CE-5	50966-7312	5.6	3.8	8.5	0.9	7.4	9.5	27.0	12.0	0.9	2.5-6.0	14-10			57343-5011	500
	CE-8	50966-7412	7.1	4.5	9.5		9.3	12.0	28.0		1.1	4.0-9.0	10-8			57343-9005	
	CE-1	50966-7512	3.4	2.4	7.0	0.5	5.0	6.5	20.8	9.5	0.8	0.5-1.75	22-16			57343-5010	1,000
	CE-2	50966-7612	4.0	3.0	7.3		5.7	8.0	21.0		0.9	1.0-3.0	16-12			57343-5010	
	CE-5	50966-7712	5.6	3.8	8.5	0.9	7.4	9.5	27.0	12.0	0.9	2.5-6.0	14-10			57343-5011	500
	CE-8	50966-7812	7.1	4.5	9.5		9.3	12.0	28.0		1.1	4.0-9.0	10-8			57343-9005	

CD Closed-End Connector: CD Type



UL E32244 SF LR18689

Standard	Type	Order No.	Dimension (mm)					Wire Range		Conductor Mat'l	Insulator Mat'l	Crimp Tool	Packaging
			D	D1	d	E	L	Solid (mm)	AWG (#)				
UL	CD-1	NC-2214	4.6	6.6	2.3	6.7	15.4	0.33-1.31	22-16	66 Nylon 66	Copper, Tin Plating	57343-5010	1,000
UL	CD-2	NC-2212	5.4	7.3	2.7	9.7	18.9	1.33-2.08	22-14				
UL	CD-5	NC-1610	6.8	9.7	3.9	9.1	18.5	0.82-3.31	18-12				500

Please refer to Molex sales drawing for wire range cross reference.

가

Insulated Connectors

CE Wire Range Cross Reference for CE Type

CD

Please refer to Molex sales drawing for CD Type.

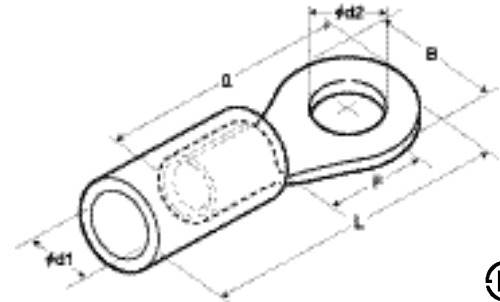
Type	Wire Range mm ² /AWG(#)	Main Wire mm ² (AWG)	Number	mm ² (AWG).....					Associated Wire mm ² (AWG).....		Number of Wires	
				0.3 (22)	0.5 (20)	0.75 (18)	1.25 (16)	2.0 (14)	3.5 (12)	5.5 (10) -		
CE-1	0.5-1.75 (22-16)	0.3 (22)	1	1-3	1-2	1	1					
			2	1	1-2	1						
			3		1	1						
		0.5 (20)	1	1-3								
2	1-2											
CE-2	1.0-3.0 (16-12)	0.3 (22)	1	3-7	2-4	1-2	1-2	1	1			
			2		1-3	1-2	1	1				
			3		1-3	1-2	1	1				
		0.5 (20)	1	2-6	1-4	1-2	1-2	1				
			2	1-5		1-2	1	1				
			3	1-4		1-2	1					
		0.75 (18)	1	1-5	1-3	1-2	1	1				
			2	1-4	1-2	1	1					
			3	1-2	1							
			1.25 (16)	1	1-4	1-2	1-2	1				
2.0 (14)	1	1-2	1	1								
CE-5	2.5-6.0 (14-10)	0.3 (22)	1	7-9	5-9	3-6	2-3	2	1	1		
			2		4-8	3-6	2-3	1	1			
			3		4-7	3-5	2	1	1			
		0.5 (20)	1	7-8	4-7	3-5	2-3	1-2	1	1		
			2	5-7		2-4	1-2	1-2	1			
			3	3-5		2-3	1-2	1-2	1			
		0.75 (18)	1	6-8	4-7	2-4	2-3	1-2	1			
			2	4-6	1-5		1-2	1-2	1			
			3	1-5	1-3		1-2	1	1			
		1.25 (16)	1	5-8	3-4	2-4	1-2	1-2	1			
			2	1-6	1-3	1-2		1				
			3	1-5	1-2	1-2						
2.0 (14)	1	2-7	1-4	1-4	1-2	1-2	1					
	3.5 (12)	1	1-6	1-4	1-2	1	1					
CE-8	4.0-9.0 (10-8)	0.5 (20)	1		7-12	5-8	3-4	2-3	1-2	1		
			2			4-7	2-4	2-3	1-2	1		
			3			4-7	2-4	2	1	1		
			4			3-6	1-3	1-2	1	1		
			5			2-5	1-3	1-2	1	1		
			6			2-4	1-2	1	1	1		
		0.75 (18)	1		7-11	5-8	3-4	2-3	1-2	1		
			2		5-10		2-4	2	1-2	1		
			3		4-9		2-3	1-2	1	1		
		1.25 (16)	4		2-8		1-2	1-2	1	1		
			5		1-6		1-2	1	1			
			1		7-11	4-8	3-4	2	1	1		
			2		5-10	2-6		1-2	1			
		2.0 (4)	3		1-7	1-4		1-2	1			
			4		1-6	1-3		1-2	1			
			1		7-10	3-7	2-4	1-2	1	1		
		3.5 (12)	2		1-8	1-4	1-2		1			
			3		1-5	1-2	1-2					
1			1-8	1-5	1-2	1	1	1				
2		1-2	1-2	1	1							
5.5 (10) -	1		1-5	1-4	1-3	1	1					

: CE-1 0.3mm²

The main and associated wires should be properly combined for use with our CE Type connectors.
e.g. You can combine up to three associated wires with one 0.3mm² main wire for use with our CE-1 connector.

Insulated Solderless Terminals and Splices

RAV (, R) Ring Tongue, Vinyl: Straight



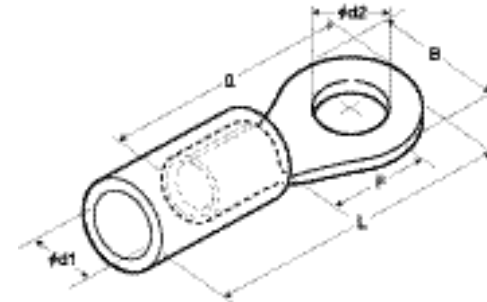
98-0346
 KR9554
 E134962
 LR95446

Standard	Type	Order No.	Dimension (mm)						Material Thickness (t)	Color	Wire Range			Crimp Tool	Packaging
			d2	B	L	F	I	d1			Solid (mm)	Stranded(mm)	AWG (#)		
	RAV0.3-2	50851-300	2.2	5.2	16.7	4.5	9.5	2.3	0.65	Yellow	0.32	0.1	26-24	57343-5007	10,000
	RAV0.3-3	50851-301	3.2												
	RAV0.3-3.5	50851-302	3.7												
	RAV0.3-4	50851-303	4.3	6.6	19.7	6.8									
	RAV0.5-2	50852-300	2.2	5.2	18.0	5.5	9.5	2.3	0.5	Yellow	0.5	0.2	24-20	57343-5007	10,000
	RAV0.5-3	50852-301	3.2												
	RAV0.5-3.5	50852-302	3.7												
	RAV0.5-4	50852-303	4.3	6.6	20.5	7.3									
	RAV0.5-5	50852-304	5.3	8.0		6.6									
	RAV1.25-2	50236-300	2.5	5.5	16.4	4.4	8.9	3.3	0.8	Red	0.8	0.5	20-16	57259-5000	10,000
	RAV1.25-3	50236-301	3.3												
	RAV1.25-M3	50236-302	3.2												
	RAV1.25-V3	50236-303	3.2	6.6	18.8	4.0									
	RAV1.25-3.5	50236-304	3.8			4.0									
	RAV1.25-S3.5	50236-305	3.7	5.5	16.4	4.4									
	RAV1.25-M3.5	50236-306	3.7	5.5	18.2	6.2									
	RAV1.25-4	50236-308	4.4	8.0	20.1	6.0									
	RAV1.25-S4	50236-307	4.3	6.6	18.8	6.2									
	RAV1.25-5	50236-309	5.4	8.0	20.1	7.0									
	RAV1.25-6	50236-310	6.4	11.5	24.6	9.6									
	RAV1.25-8	50236-311	8.4												
	RAV1.25-10	50236-312	10.5												
	RAV2-3	50237-300		6.6	16.8	4.0									
	RAV2-M3	50237-301	3.2	5.5	18.3	6.0									
	RAV2-L3	50237-302													
	RAV2-3.5	50237-304	3.8												
	RAV2-M3.5	50237-303		5.8	18.3	5.9									
	RAV2-L3.5	50237-305		3.7	20.4	7.6									
	RAV2-4	50237-308	4.4	8.5	21.1	6.0									
	RAV2-S4	50237-307		6.6	20.4	7.6	8.9	3.98	0.8	Blue	1.14	1.04	16-14	57259-5000	6,000
	RAV2-M4	50237-306	4.3												
	RAV2-5	50237-309	5.4												
	RAV2-S5	50237-310	5.3	8.5	20.9	7.2									
	RAV2-6	50237-311	6.5	12.0	26.1	7.0									
	RAV2-8	50237-312	8.5												
	RAV2-10	50237-313	10.5												
	RAV2-12	50237-314	13.0	17.0	31.3	13.3									
	RAV3.5-3	50855-300	3.2	8.5	26.5	7.6	14.0	5.0	1.0	Yellow	1.82	2.63	12	57258-5000	1,200
	RAV3.5-4	50855-301	4.3												
	RAV3.5-5	50855-302	5.3												
	RAV3.5-6	50855-303	6.4	12.0	30.5	9.8									
	RAV3.5-8	50855-304	8.4	14.5	33.7	11.8									
	RAV3.5-10	50855-305	10.5												

(*)
 Replace * with 가
 0 = White 1 = Black 2 = Red 3 = Yellow 4 = Blue 6 = Green 9 = Transparent

Insulated Solderless Terminals and Splices

RAV (, R) Ring Tongue, Vinyl: Straight



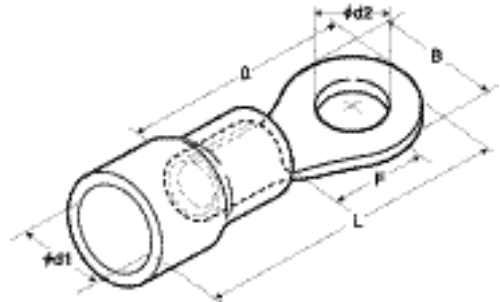
98-0346
 KR9554
 E134962
 LR95446

Standard	Type	Order No.	Dimension (mm)						Material Thickness (t)	Color	Wire Range			Crimp Tool	Packaging								
			d2	B	L	F	I	d1			Solid (mm)	Stranded(mm)	AWG (#)										
	RAV5.5-S3	50238-300	3.2	7.2	22.9	5.1	13.4	5.44	1.0	Yellow	1.82	2.63	12-10	57258-5000	1,200								
	RAV5.5-M3	50238-301		7.1	26.6	8.8																	
	RAV5.5-S3.5	50238-302	3.7	7.2	22.9	5.1																	
	RAV5.5-M3.5	50238-303		7.1	26.6	8.8																	
	RAV5.5-4	50238-304	4.4	9.5	5.0																		
	RAV5.5-S4	50238-305	4.3	7.2	22.9	5.1																	
	RAV5.5-M4	50238-306		7.1	26.6	8.8																	
	RAV5.5-5	50238-307	5.4	9.5	7.0																		
	RAV5.5-S5	50238-308	5.3	8.0	8.4																		
	RAV5.5-L5	50238-309		12.0	29.4	9.4																	
	RAV5.5-6	50238-310	6.5	15.0	34.9	9.0																	
	RAV5.5-8	50238-311	8.5																				
	RAV5.5-10	50238-312	10.5																				
	RAV5.5-12	50238-313	13.0	20.0	14.9																		
	RAV5.5-14	50238-314	15.0	32.0	55.1	24.9																	
	RAV5.5-16	50238-315	17.0																				
	RAV5.5-20	50238-316	21.0																				

(*)
 Replace * with 가
 0 = White 1 = Black 2 = Red 3 = Yellow 4 = Blue 6 = Green 9 = Transparent

Insulated Solderless Terminals and Splices

RBV (, R) Ring Tongue, Vinyl: Flared



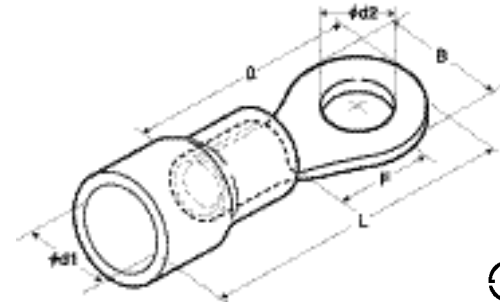
98-0346
 KR9554
 E134962
 LR95446

Standard	Type	Order No.	Dimension (mm)						Material Thickness (t)	Color	Wire Range			Crimp Tool	Packaging
			d2	B	L	F	I	d1			Solid (mm)	Stranded(mm)	AWG (#)		
	RBV0.3-2	50851-350	2.2	5.2	16.7	4.5	9.5	3.1	0.65	Yellow	0.32	0.1	26-24	57343-5007	10,000
	RBV0.3-3	50851-351	3.2												
	RBV0.3-3.5	50851-352	3.7												
	RBV0.3-4	50851-353	4.3	6.6	19.7	6.8									
	RBV0.5-2	50852-350	2.2	5.2	18.0	5.5	9.5	3.1	0.5	Yellow	0.5	0.2	24-20	57343-5007	10,000
	RBV0.5-3	50852-351	3.2												
	RBV0.5-3.5	50852-352	3.7												
	RBV0.5-4	50852-353	4.3	6.6	20.5	7.3									
	RBV0.5-5	50852-354	5.3	8.0			6.6								
	RBV1.25-2	50230-350	2.5	5.5	16.4	4.4	8.9	4.1	0.8	Red	0.8	0.5	20-16	57259-5000	10,000
	RBV1.25-3	50230-351	3.3												
	RBV1.25-M3	50230-352	3.2												
	RBV1.25-V3	50230-353	3.2	6.6	18.8	4.0									
	RBV1.25-3.5	50230-354	3.8	6.6	18.8	4.0									
	RBV1.25-S3.5	50230-355	3.7	5.5	16.4	4.4									
	RBV1.25-M3.5	50230-356	3.7	5.5	18.2	6.2									
	RBV1.25-4	50230-358	4.4	8.0	20.1	6.0									
	RBV1.25-S4	50230-357	4.3	6.6	18.8	6.2									
	RBV1.25-5	50230-359	5.4	8.0	20.1	7.0									
	RBV1.25-6	50230-360	6.4	11.5	24.6	9.6									
	RBV1.25-8	50230-361	8.4												
	RBV1.25-10	50230-362	10.5				13.6	26.2	10.1						
	RBV2-3	50231-350		6.6	16.8	4.0									
	RBV2-M3	50231-351	3.2	5.5	18.3	6.0									
	RBV2-L3	50231-352													
	RBV2-3.5	50231-354	3.8				6.6	18.8	4.0						
	RBV2-M3.5	50231-353	3.7	5.8	18.3	5.9									
	RBV2-L3.5	50231-355	3.7	6.6	20.4	7.6									
	RBV2-4	50231-358	4.4	8.5	21.1	6.0									
	RBV2-S4	50231-357	4.3	6.6	19.9	7.6	8.9	4.8	0.8	Blue	1.14	1.04	16-14	57343-5008	6,000
	RBV2-M4	50231-356	4.3												
	RBV2-5	50231-359	5.4												
	RBV2-S5	50231-360	5.3	8.5	20.9	7.2									
	RBV2-6	50231-361	6.5	12.0	26.1	7.0									
	RBV2-8	50231-362	8.5												
	RBV2-10	50231-363	10.5				14.5	28.4	11.7						
	RBV2-12	50231-364	13.0	17.0	31.3	13.3									
	RBV3.5-3	50855-350	3.2	8.5	26.5	7.6	14.0	6.1	1.0	Yellow	1.82	2.63	12	57258-5000	1,200
	RBV3.5-4	50855-351	4.3												
	RBV3.5-5	50855-352	5.3												
	RBV3.5-6	50855-353	6.4	12.0	30.5	9.8									
	RBV3.5-8	50855-354	8.4	14.5	33.7	11.8									
	RBV3.5-10	50855-355	10.5												

(*) Replace * with 가
 0 = White 1 = Black 2 = Red 3 = Yellow 4 = Blue 6 = Green 9 = Transparent

Insulated Solderless Terminals and Splices

RBV (, R) Ring Tongue, Vinyl: Flared



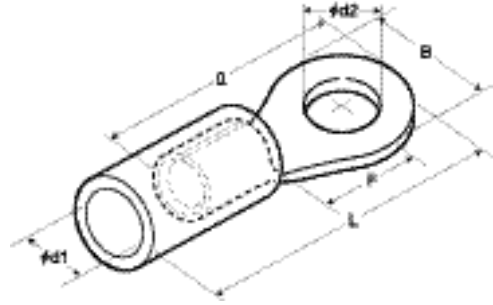
98-0346
 KR9554
 E134962
 LR95446

Standard	Type	Order No.	Dimension (mm)						Material Thickness (t)	Color	Wire Range			Crimp Tool	Packaging
			d2	B	L	F	I	d1			Solid (mm)	Stranded(mm)	AWG (#)		
	RBV5.5-S3	50232-350	3.2	7.2	22.9	5.1	13.4	6.4	1.0	Yellow	1.82	2.63	12-10	57258-5000	1,200
	RBV5.5-M3	50232-351		7.1	26.6	8.8									
	RBV5.5-S3.5	50232-352	3.7	7.2	22.9	5.1									
	RBV5.5-M3.5	50232-353		7.1	26.6	8.8									
	RBV5.5-4	50232-354	4.4	9.5		5.0									
	RBV5.5-S4	50232-355	4.3	7.2	22.9	5.1									
	RBV5.5-M4	50232-356		7.1	26.6	8.8									
	RBV5.5-5	50232-357	5.4	9.5	26.6	7.0									
	RBV5.5-S5	50232-358	5.3	8.0		8.4									
	RBV5.5-L5	50232-359		12.0	29.4	9.4									
	RBV5.5-6	50232-360	6.5	15.0	34.9	9.0									
	RBV5.5-8	50232-361	8.5												
	RBV5.5-10	50232-362	10.5	15.0	34.4	13.5									
	RBV5.5-12	50232-363	13.0	20.0	39.1	14.9									
	RBV5.5-14	50232-364	15.0	32.0	55.1	24.9									
	RBV5.5-16	50232-365	17.0												
	RBV5.5-20	50232-366	21.0												

(*) Replace * with 가
 0 = White 1 = Black 2 = Red 3 = Yellow 4 = Blue 6 = Green 9 = Transparent

Insulated Solderless Terminals and Splices

RAP (, R) Ring Tongue, Nylon: Straight



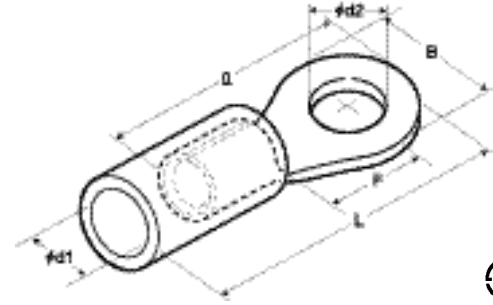
98-0346
 KR9554
 E134962
 LR95446

Standard	Type	Order No.	Dimension (mm)						Material Thickness (t)	Color	Wire Range			Crimp Tool	Packaging
			d2	B	L	F	I	d1			Solid (mm)	Stranded(mm)	AWG (#)		
	RAP0.3-2	50851-400	2.2	5.2	16.7	4.5	9.5	2.3	0.65	Yellow	0.32	0.1	26-24	57343-5007	10,000
	RAP0.3-3	50851-401	3.2												
	RAP0.3-3.5	50851-402	3.7												
	RAP0.3-4	50851-403	4.3	6.6	19.7	6.8									
	RAP0.5-2	50852-400	2.2	5.2	18.0	5.5	9.5	2.3	0.5	Yellow	0.5	0.2	24-20	57343-5007	10,000
	RAP0.5-3	50852-401	3.2												
	RAP0.5-3.5	50852-402	3.7												
	RAP0.5-4	50852-403	4.3	6.6	20.5	7.3									
	RAP0.5-5	50852-404	5.3	8.0		6.6									
	RAP1.25-2	50236-400	2.5	5.5	16.4	4.4	8.9	3.3	0.8	Red	0.8	0.5	20-16	57343-5008	57343-9005
	RAP1.25-3	50236-401	3.3												
	RAP1.25-M3	50236-402	3.2												
	RAP1.25-V3	50236-403	3.2	6.6	18.8	4.0									
	RAP1.25-3.5	50236-404	3.8			4.0									
	RAP1.25-S3.5	50236-405	3.7	5.5	16.4	4.4									
	RAP1.25-M3.5	50236-406	3.7	5.5	18.2	6.2									
	RAP1.25-4	50236-408	4.4	8.0	20.1	6.0									
	RAP1.25-S4	50236-407	4.3	6.6	18.8	6.2									
	RAP1.25-5	50236-409	5.4	8.0	20.1	7.0									
	RAP1.25-6	50236-410	6.5	11.5	24.6	9.6									6,000
	RAP1.25-8	50236-411	8.4												
	RAP1.25-10	50236-412	10.5	13.6	26.2	10.1									
	RAP2-3	50237-400		6.6	16.8	4.0									
	RAP2-M3	50237-401	3.2	5.5	18.3	4.6									
	RAP2-L3	50237-402			18.3	6.0									
	RAP2-3.5	50237-404	3.8	6.6	18.8	4.0									
	RAP2-M3.5	50237-403		5.8	18.3	5.9									
	RAP2-L3.5	50237-405	3.7	6.6	20.4	7.6									
	RAP2-4	50237-408	4.4	8.5	21.1	6.0									
	RAP2-S4	50237-407	4.3	6.6	20.4	7.6									
	RAP2-M4	50237-406	4.3	6.6	18.8	6.0									
	RAP2-5	50237-409	5.4	9.5	21.1	7.0									
	RAP2-S5	50237-410	5.3	8.5	20.9	7.2									
	RAP2-6	50237-411	6.5	12.0	26.1	7.0									
	RAP2-8	50237-412	8.5			9.0									1,200
	RAP2-10	50237-413	10.5	14.5	28.4	11.7									
	RAP2-12	50237-414	13.0	17.0	31.3	13.3									
	RAP3.5-3	50855-400	3.2	8.5	26.5	7.6	14.0	5.0	1.0	Yellow	1.82	2.63	12	57258-5000	57343-9005
	RAP3.5-4	50855-401	4.3												
	RAP3.5-5	50855-402	5.3												
	RAP3.5-6	50855-403	6.4	12.0	30.5	9.8									
	RAP3.5-8	50855-404	8.4	14.5	33.7	11.8									
	RAP3.5-10	50855-405	10.5												

(*) Replace * with 0=White 1=Black 2=Red 3=Yellow 4=Blue 6=Green 9=Transparent
 • RAP 가 Contact Molex.

Insulated Solderless Terminals and Splices

RAP (, R) Ring Tongue, Nylon: Straight



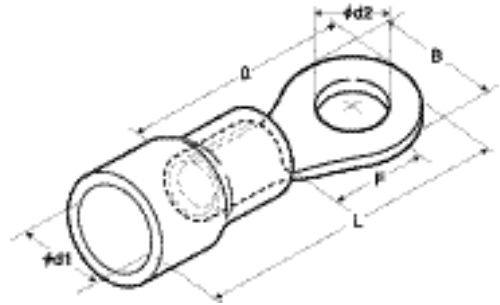
98-0346
 KR9554
 E134962
 LR95446

Standard	Type	Order No.	Dimension (mm)						Material Thickness (t)	Color	Wire Range			Crimp Tool	Packaging
			d	B	L	F	I	d1			Solid (mm)	Stranded(mm)	AWG (#)		
	RAP5.5-S3	50238-400	3.2	7.2	22.9	5.1	13.4	5.44	1.0	Yellow	1.82	2.63	12-10	57258-5000	57343-5009
	RAP5.5-M3	50238-401		7.1	26.6	8.8									
	RAP5.5-S3.5	50238-402	3.7	7.2	22.9	5.1									
	RAP5.5-M3.5	50238-403		7.1	26.6	8.8									
	RAP5.5-4	50238-404	4.4	9.5		5.0									
	RAP5.5-S4	50238-405	4.3	7.2	22.9	5.1									
	RAP5.5-M4	50238-406		7.1	26.6	8.8									
	RAP5.5-5	50238-407	5.4	9.5	26.6	7.0								57258-5000	1,200
	RAP5.5-S5	50238-408	5.3	8.0		8.4								57343-5009	
	RAP5.5-L5	50238-409		12.0	29.4	9.4									
	RAP5.5-6	50238-410	6.5	15.0	34.9	9.0									
	RAP5.5-8	50238-411	8.5		34.4	13.5									
	RAP5.5-10	50238-412	10.5												
	RAP5.5-12	50238-413	13.0	20.0	39.1	14.9									
	RAP5.5-14	50238-414	15.0												
	RAP5.5-16	50238-415	17.0	32.0	55.1	24.9									1,000
	RAP5.5-20	50238-416	21.0												

(*) Replace * with 0=White 1=Black 2=Red 3=Yellow 4=Blue 6=Green 9=Transparent
 • RAP 가 Contact Molex.

Insulated Solderless Terminals and Splices

RBP (, R) Ring Tongue, Nylon: Straight



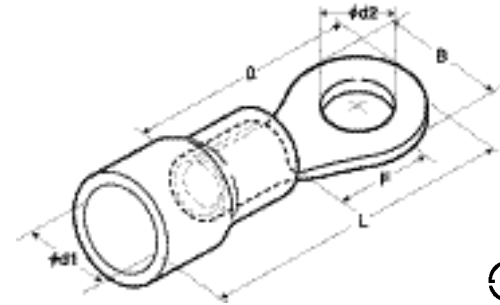
98-0346
 KR9554
 E134962
 LR95446

Standard	Type	Order No.	Dimension (mm)						Material Thickness	Color	Wire Range			Crimp Tool	Packaging
			d2	B	L	F	I	d1			Solid (mm)	Stranded(mm)	AWG (#)		
	RBP0.3-2	50851-450	2.2	5.2	16.7	4.5	9.5	3.1	0.65	Yellow	0.32	0.1	26-24	57343-5007	10,000
	RBP0.3-3	50851-451	3.2												
	RBP0.3-3.5	50851-452	3.7												
	RBP0.3-4	50851-453	4.3	6.6	19.7	6.8									
	RBP0.5-2	50852-450	2.2	5.2	18.0	5.5	9.5	3.1	0.5	Yellow	0.5	0.2	24-20	57343-5007	10,000
	RBP0.5-3	50852-451	3.2												
	RBP0.5-3.5	50852-452	3.7												
	RBP0.5-4	50852-453	4.3	6.6	20.5	7.3									
	RBP0.5-5	50852-454	5.3	8.0		6.6									
	RBP1.25-2	50230-450	2.5	5.5	16.4	4.4	8.9	4.1	0.8	Red	0.8	0.5	20-16	57343-5008	10,000
	RBP1.25-3	50230-451	3.3												
	RBP1.25-M3	50230-452	3.2												
	RBP1.25-V3	50230-453	3.2	6.6	18.8	4.0									
	RBP1.25-3.5	50230-454	3.8			4.0									
	RBP1.25-S3.5	50230-455	3.7	5.5	16.4	4.4									
	RBP1.25-M3.5	50230-456	3.7	5.5	18.2	6.2									
	RBP1.25-4	50230-457	4.4	8.0	20.1	6.0									
	RBP1.25-S4	50230-457	4.3	6.6	18.8	6.2									
	RBP1.25-5	50230-459	5.4	8.0	20.1	7.0									
	RBP1.25-6	50230-460	6.4	11.5	24.6	9.6									6,000
	RBP1.25-8	50230-461	8.4												
	RBP1.25-10	50230-462	10.5	13.6	26.2	10.1									
	RBP2-3	50231-450		6.6	16.8	4.0									
	RBP2-M3	50231-451	3.2	5.5	18.3	6.0	8.9	4.8	0.8	Blue	1.14	1.04	16-14	57259-5000	6,000
	RBP2-L3	50231-452													
	RBP2-3.5	50231-454	3.8												
	RBP2-M3.5	50231-453	3.7	5.8	18.3	5.9									
	RBP2-L3.5	50231-455	3.7	6.6	20.4	7.6									
	RBP2-4	50231-458	4.4	8.5	21.1	6.0									
	RBP2-S4	50231-457	4.3	6.6	19.9	7.6									
	RBP2-M4	50231-456	4.3	6.6	18.3	6.0									
	RBP2-5	50231-459	5.4	9.5	21.1	7.0									
	RBP2-S5	50231-460	5.3	8.5	20.9	7.2									
	RBP2-6	50231-461	6.5	12.0	26.1	7.0									
	RBP2-8	50231-462	8.5			9.0									1,200
	RBP2-10	50231-463	10.5	14.5	28.4	11.7									
	RBP2-12	50231-464	13.0	17.0	31.3	13.3									
	RBP3.5-3	50855-450	3.2	8.5	26.5	7.6	14.0	6.1	1.0	Yellow	1.82	2.63	12	57258-5000	1,200
	RBP3.5-4	50855-451	4.3												
	RBP3.5-5	50855-452	5.3												
	RBP3.5-6	50855-453	6.4	12.0	30.5	9.8									
	RBP3.5-8	50855-454	8.4	14.5	33.7	11.8									
	RBP3.5-10	50855-455	10.5												

(*) Replace * with 0= White 1= Black 2= Red 3= Yellow 4= Blue 6= Green 9= Transparent
 • RBP 가 Contact Molex.

Insulated Solderless Terminals and Splices

RBP (, R) Ring Tongue, Nylon: Straight



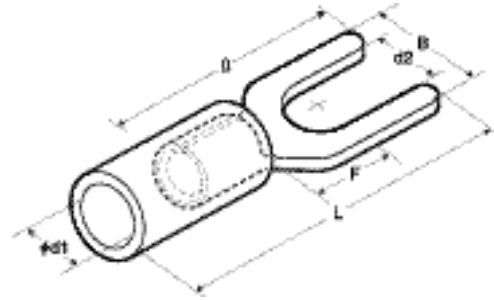
98-0346
 KR9554
 E134962
 LR95446

Standard	Type	Order No.	Dimension (mm)						Material Thickness	Color	Wire Range			Crimp Tool	Packaging
			d2	B	L	F	I	d1			Solid (mm)	Stranded(mm)	AWG (#)		
	RBP5.5-S3	50232-450	3.2	7.2	22.9	5.1	13.4	6.4	1.0	Yellow	1.82	2.63	12-10	57259-5000	1,200
	RBP5.5-M3	50232-451		7.1	26.6	8.8									
	RBP5.5-S3.5	50232-452	3.7	7.2	22.9	5.1									
	RBP5.5-M3.5	50232-453		7.1	26.6	8.8									
	RBP5.5-4	50232-454	4.4	9.5		5.0									
	RBP5.5-S4	50232-455	4.3	7.2	22.9	5.1									
	RBP5.5-M4	50232-456		7.1		8.8									
	RBP5.5-5	50232-457	5.4	9.5	26.6	7.0									
	RBP5.5-S5	50232-458	5.3	8.0		8.4									
	RBP5.5-L5	50232-459		12.0	29.4	9.4									
	RBP5.5-6	50232-460	6.5			7.0									
	RBP5.5-8	50232-461	8.5	15.0	34.9	9.0									
	RBP5.5-10	50232-462	10.5		34.4	13.5									
	RBP5.5-12	50232-463	13.0	20.0	39.1	14.9									
	RBP5.5-14	50232-464	15.0												
	RBP5.5-16	50232-465	17.0	32.0	55.1	24.9									1,000
	RBP5.5-20	50232-466	21.0												

(*) Replace * with 0= White 1= Black 2= Red 3= Yellow 4= Blue 6= Green 9= Transparent
 • RBP 가 Contact Molex.

Insulated Solderless Terminals and Splices

VSY (, Y) Spade Tongue, Vinyl: Straight



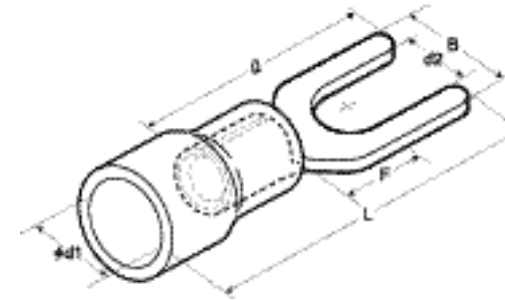
UL E134962 SR LR95446

Standard	Type	Order No.	Dimension (mm)					Material Thickness	Color	Wire Range			Crimp Tool	Packaging	
			d2	B	L	F	I			d1	Solid (mm)	Stranded(mm²)			AWG (#)
UL SR	VSU0.5-2	50460-300	2.2	5.2	18.0	5.5	9.5	2.3	0.5	Yellow	0.5	0.2	24-20	57343-5007	10,000
UL SR	VSU0.5-3	50460-301	3.2												
UL SR	VSU0.5-3.5	50460-302	3.7												
UL SR	VSU0.5-4	50460-303	4.3	6.6	20.5	7.3	9.5	2.3	0.5	Yellow	0.5	0.2	24-20	57343-5007	10,000
UL SR	VSU0.5-5	50460-304	5.3	8.0											
UL SR	VSU1.25-3	50328-301	3.2	5.8	19.5	5.5	9.0	3.3	0.8	Red	0.57	0.3	22-16	57259-5000	10,000
UL SR	VSU1.25-3S	50328-300													
UL SR	VSU1.25-3.5	50328-302	3.7	6.2	20.5	6.3	9.0	3.3	0.8	Red	0.57	0.3	22-16	57259-5000	10,000
UL SR	VSU1.25-3.5L	50328-303													
UL SR	VSU1.25-4	50328-305	4.3	6.4	20.5	6.3	9.0	3.3	0.8	Red	0.57	0.3	22-16	57343-5008	6,000
UL SR	VSU1.25-4S	50328-304													
UL SR	VSU1.25-4L	50328-306	5.3	9.5	20.9	7.0	9.0	3.3	0.8	Red	0.57	0.3	22-16	57343-5009	6,000
UL SR	VSU1.25-5	50328-307													
UL SR	VSU1.25-6	50328-308	6.4	12.0	24.5	8.3	9.0	4.0	0.8	Blue	1.14	1.04	16-14	57259-5000	6,000
UL SR	VSU2-3	50329-300	3.2	5.9	20.3	6.1	9.0	4.0	0.8	Blue	1.14	1.04	16-14	57259-5000	
UL SR	VSU2-3.5	50329-301	3.7	6.4											7.1
UL SR	VSU2-3.5L	50329-302			4.3	7.0	21.3	6.8	9.0	4.0	0.8	Blue	1.14	1.04	
UL SR	VSU2-4	50329-304	6.4	20.5											6.1
UL SR	VSU2-4S	50329-303			5.3	9.5	21.3	6.8	9.0	4.0	0.8	Blue	1.14	1.04	
UL SR	VSU2-4L	50329-305	6.4	12.0											24.5
UL SR	VSU2-5	50329-306			6.4	12.0	24.5	8.1	9.0	4.0	0.8	Blue	1.14	1.04	
UL SR	VSU2-6	50329-307	1,200												
UL SR	VSU3.5-4	50891-300		6.4	12.0	24.5	8.1	9.0	4.0	0.8	Yellow	1.82	2.63	12	57258-5000
UL SR	VSU3.5-5	50891-301													
UL SR	VSU5.5-4S	50330-300	4.3	8.4	25.2	6.5	13.5	5.4	1.0	Yellow	1.82	2.63	12-10	57258-5000	1,200
UL SR	VSU5.5-4	50330-301													
UL SR	VSU5.5-5	50330-302	5.3	9.0	25.2	6.5	13.5	5.4	1.0	Yellow	1.82	2.63	12-10	57258-5000	1,200
UL SR	VSU5.5-5	50330-302													
UL SR	VSU5.5-6	50330-303	6.4	12.5	32.2	11.3	13.5	5.4	1.0	Yellow	1.82	2.63	12-10	57258-5000	1,200

Replace * with 가 0= White 1=Black 2=Red 3=Yellow 4=Blue 6=Green 9=Transparent

Insulated Solderless Terminals and Splices

VFY (, Y) Spade Tongue, Vinyl: Flared



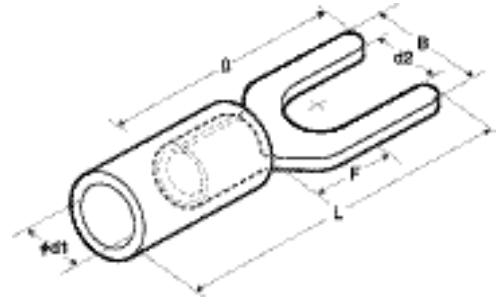
UL E134962 SR LR95446

Standard	Type	Order No.	Dimension (mm)					Material Thickness	Color	Wire Range			Crimp Tool	Packaging	
			d2	B	L	F	I			d1	Solid (mm)	Stranded(mm²)			AWG (#)
UL SR	VFY0.5-2	50460-350	2.2	5.2	18.0	5.5	9.5	3.1	0.5	Yellow	0.5	0.2	24-20	57343-5007	10,000
UL SR	VFY0.5-3	50460-351	3.2												
UL SR	VFY0.5-3.5	50460-352	3.7												
UL SR	VFY0.5-4	50460-353	4.3	6.6	20.5	7.3	9.5	3.1	0.5	Yellow	0.5	0.2	24-20	57343-5007	10,000
UL SR	VFY0.5-5	50460-354	5.3	8.0											
UL SR	VFY1.25-3	50325-351	3.2	5.8	19.5	5.5	9.0	4.1	0.8	Red	0.57	0.3	22-16	57259-5000	10,000
UL SR	VFY1.25-3S	50325-350													
UL SR	VFY1.25-3.5	50325-352	3.7	6.2	20.5	6.3	9.0	4.1	0.8	Red	0.57	0.3	22-16	57259-5000	10,000
UL SR	VFY1.25-3.5L	50325-353													
UL SR	VFY1.25-4	50325-355	4.3	6.4	20.5	6.3	9.0	4.1	0.8	Red	0.57	0.3	22-16	57259-5000	10,000
UL SR	VFY1.25-4S	50325-354													
UL SR	VFY1.25-4L	50325-356	5.3	9.5	20.9	7.0	9.0	4.1	0.8	Red	0.57	0.3	22-16	57259-5000	10,000
UL SR	VFY1.25-5	50325-357													
UL SR	VFY1.25-6	50325-358	6.4	12.0	24.5	8.3	9.0	4.1	0.8	Red	0.57	0.3	22-16	57259-5000	10,000
UL SR	VFY2-3	50326-350	3.2	5.9	20.3	6.1	9.0	4.8	0.8	Blue	1.14	1.04	16-14	57259-5000	6,000
UL SR	VFY2-3.5	50326-351													
UL SR	VFY2-3.5L	50326-352	3.7	6.4	21.3	6.8	9.0	4.8	0.8	Blue	1.14	1.04	16-14	57259-5000	6,000
UL SR	VFY2-4	50326-354													
UL SR	VFY2-4S	50326-353	4.3	6.4	20.5	6.1	9.0	4.8	0.8	Blue	1.14	1.04	16-14	57259-5000	6,000
UL SR	VFY2-4L	50326-355													
UL SR	VFY2-5	50326-356	5.3	9.5	21.3	6.8	9.0	4.8	0.8	Blue	1.14	1.04	16-14	57259-5000	6,000
UL SR	VFY2-6	50326-357													
UL SR	VFY3.5-4	50891-350	6.4	12.0	24.5	8.1	9.0	4.8	0.8	Blue	1.14	1.04	16-14	57259-5000	6,000
UL SR	VFY3.5-5	50891-351													
UL SR	VFY5.5-4S	50327-350	4.3	8.4	25.2	6.5	13.5	6.4	1.0	Yellow	1.82	2.63	12-10	57258-5000	1,200
UL SR	VFY5.5-4	50327-351													
UL SR	VFY5.5-5	50327-352	5.3	9.0	25.2	6.5	13.5	6.4	1.0	Yellow	1.82	2.63	12-10	57258-5000	1,200
UL SR	VFY5.5-5	50327-352													
UL SR	VFY5.5-6	50327-353	6.4	12.5	32.2	11.3	13.5	6.4	1.0	Yellow	1.82	2.63	12-10	57258-5000	1,200

Replace * with 가 0= White 1=Black 2=Red 3=Yellow 4=Blue 6=Green 9=Transparent

Insulated Solderless Terminals and Splices

APF (, Y) Spade Tongue, Nylon: Straight



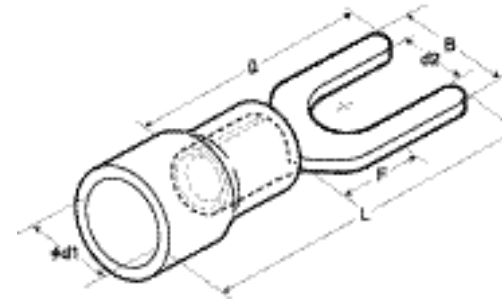
UL E134962 SF LR95446

Standard	Type	Order No.	Dimension (mm)						Material Thickness	Color	Wire Range			Crimp Tool	Packaging				
			d2	B	L	F	I	d1			Solid (mm)	Stranded(mm²)	AWG (#)						
UL SF	APF0.5-2	50460-400	2.2	5.2	18.0	5.5	9.5	2.3	0.5	Yellow	0.5	0.2	24-20	57343-5007	10,000				
UL SF	APF0.5-3	50460-401	3.2																
UL SF	APF0.5-3.5	50460-402	3.7																
UL SF	APF0.5-4	50460-403	4.3	6.6	20.5	7.3	9.0	3.3	0.8	Red	0.8	0.5	20-16	57343-5008 57343-9005	6,000				
UL SF	APF0.5-5	50460-404	5.3	8.0												6.6			
UL SF	APF1.25-3	50328-401	3.2	5.8	19.5	5.5	9.0	4.0	0.8	Blue	1.14	1.04	16-14	57259-5000 57343-5008 57343-9005	6,000				
UL SF	APF1.25-3S	50328-400														3.7	6.2	20.5	6.3
UL SF	APF1.25-3.5	50328-402																	
UL SF	APF1.25-3.5L	50328-403	3.7	6.2	20.5	6.3	9.0	4.1	0.8	Red	0.8	0.5	20-16	57343-5008 57343-9005	6,000				
UL SF	APF1.25-4	50328-405	4.3	6.4	20.5	6.3	9.0	4.0	0.8	Blue	1.14	1.04	16-14	57259-5000 57343-5008 57343-9005	6,000				
UL SF	APF1.25-4S	50328-404														5.3	9.5	20.9	7.0
UL SF	APF1.25-4L	50328-406																	
UL SF	APF1.25-5	50328-407	5.3	9.5	20.9	7.0	9.0	4.8	0.8	Blue	1.14	1.04	16-14	57259-5000 57343-5008 57343-9005	6,000				
UL SF	APF1.25-6	50328-408	6.4	12.0	24.5	8.3	9.0	4.8	0.8	Blue	1.14	1.04	16-14	57259-5000 57343-5008 57343-9005	1,200				
UL SF	APF2-3	50329-400	3.2	5.9	20.3	6.1	9.0	4.0	0.8	Blue	1.14	1.04	16-14	57259-5000 57343-5008 57343-9005	6,000				
UL SF	APF2-3.5	50329-401	3.7	6.4												7.1			
UL SF	APF2-3.5L	50329-402															7.0	21.3	6.8
UL SF	APF2-4	50329-404	4.3	6.4	20.5	6.1	9.0	4.0	0.8	Blue	1.14	1.04	16-14	57259-5000 57343-5008 57343-9005	6,000				
UL SF	APF2-4S	50329-403														5.3	9.5	21.3	6.8
UL SF	APF2-4L	50329-405																	
UL SF	APF2-5	50329-406	5.3	9.5	21.3	6.8	9.0	4.8	0.8	Blue	1.14	1.04	16-14	57259-5000 57343-5008 57343-9005	1,200				
UL SF	APF2-6	50329-407	6.4	12.0	24.5	8.1	9.0	4.8	0.8	Blue	1.14	1.04	16-14	57259-5000 57343-5008 57343-9005	1,200				
UL SF	APF3.5-4	50891-400	4.3	8.0	26.5	6.8	14.0	5.0	1.0	Yellow	1.82	2.63	12	57258-5000 57343-9005	1,200				
UL SF	APF3.5-5	50891-401	5.3																
UL SF	APF5.5-4	50330-401	4.3	9.0	25.2	6.5	13.5	5.4	1.0	Yellow	1.82	2.63	12-10	57258-5000 57343-9005	1,200				
UL SF	APF5.5-4S	50330-400														5.3	8.4	25.2	6.5
UL SF	APF5.5-5	50330-402	5.3	8.4	25.2	6.5	13.5	5.4	1.0	Yellow	1.82	2.63	12-10	57258-5000 57343-9005	1,200				
UL SF	APF5.5-6	50330-403	6.4	12.5	32.2	11.3	13.5	5.4	1.0	Yellow	1.82	2.63	12-10	57258-5000 57343-9005	1,200				

Replace * with Contact Molex.
 0 = White 1 = Black 2 = Red 3 = Yellow 4 = Blue 6 = Green 9 = Transparent
 가

Insulated Solderless Terminals and Splices

BPF (, Y) Spade Tongue, Nylon: Flared



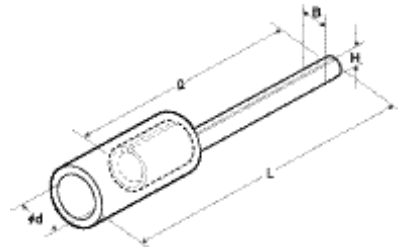
UL E134962 SF LR95446

Standard	Type	Order No.	Dimension (mm)						Material Thickness	Color	Wire Range			Crimp Tool	Packaging				
			d2	B	L	F	I	d1			Solid (mm)	Stranded(mm²)	AWG (#)						
UL SF	BPF0.5-2	50460-450	2.2	5.2	18.0	5.5	9.5	3.1	0.5	Yellow	0.5	0.2	24-20	57343-5007	10,000				
UL SF	BPF0.5-3	50460-451	3.2																
UL SF	BPF0.5-3.5	50460-452	3.7																
UL SF	BPF0.5-4	50460-453	4.3	6.6	20.5	7.3	9.0	4.1	0.8	Red	0.8	0.5	20-16	57343-5008 57343-9005	6,000				
UL SF	BPF0.5-5	50460-454	5.3	8.0												6.6	6.3		
UL SF	BPF1.25-3	50325-451	3.2	5.8	19.5	5.5	9.0	4.1	0.8	Red	0.8	0.5	20-16	57343-5008 57343-9005	6,000				
UL SF	BPF1.25-3S	50325-450														3.7	6.2	20.5	6.3
UL SF	BPF1.25-3.5	50325-452																	
UL SF	BPF1.25-3.5L	50325-453	3.7	6.2	20.5	6.3	9.0	4.1	0.8	Red	0.8	0.5	20-16	57343-5008 57343-9005	6,000				
UL SF	BPF1.25-4	50325-455	4.3	6.4	20.5	6.3	9.0	4.1	0.8	Red	0.8	0.5	20-16	57343-5008 57343-9005	6,000				
UL SF	BPF1.25-4S	50325-454														5.3	9.5	20.9	7.0
UL SF	BPF1.25-4L	50325-456																	
UL SF	BPF1.25-5	50325-457	5.3	9.5	20.9	7.0	9.0	4.8	0.8	Blue	1.14	1.04	16-14	57259-5000 57343-5008 57343-9005	6,000				
UL SF	BPF1.25-6	50325-458	6.4	12.0	24.5	8.3	9.0	4.8	0.8	Blue	1.14	1.04	16-14	57259-5000 57343-5008 57343-9005	1,200				
UL SF	BPF2-3	50326-450	3.2	5.9	20.3	6.1	9.0	4.8	0.8	Blue	1.14	1.04	16-14	57259-5000 57343-5008 57343-9005	6,000				
UL SF	BPF2-3.5	50326-451	3.7	6.4												7.1			
UL SF	BPF2-3.5L	50326-452															7.0	21.3	6.8
UL SF	BPF2-4	50326-454	4.3	6.4	20.5	6.1	9.0	4.8	0.8	Blue	1.14	1.04	16-14	57259-5000 57343-5008 57343-9005	6,000				
UL SF	BPF2-4S	50326-453														5.3	9.5	21.3	6.8
UL SF	BPF2-4L	50326-455																	
UL SF	BPF2-5	50326-456	5.3	9.5	21.3	6.8	9.0	4.8	0.8	Blue	1.14	1.04	16-14	57259-5000 57343-5008 57343-9005	1,200				
UL SF	BPF2-6	50326-457	6.4	12.0	24.5	8.1	9.0	4.8	0.8	Blue	1.14	1.04	16-14	57259-5000 57343-5008 57343-9005	1,200				
UL SF	BPF3.5-4	50891-450	4.3	8.0	26.5	6.8	14.0	6.1	1.0	Yellow	1.82	2.63	12	57343-5000 57343-9005	1,200				
UL SF	BPF3.5-5	50891-451	5.3																
UL SF	BPF5.5-4	50327-451	4.3	9.0	25.2	6.5	13.5	6.4	1.0	Yellow	1.82	2.63	12-10	57258-5000 57343-9005	1,200				
UL SF	BPF5.5-4S	50327-450														5.3	8.4	25.2	6.5
UL SF	BPF5.5-5	50327-452	5.3	8.4	25.2	6.5	13.5	6.4	1.0	Yellow	1.82	2.63	12-10	57258-5000 57343-9005	1,200				
UL SF	BPF5.5-6	50327-453	6.4	12.5	32.2	11.3	13.5	6.4	1.0	Yellow	1.82	2.63	12-10	57258-5000 57343-9005	1,200				

Replace * with Contact Molex.
 0 = White 1 = Black 2 = Red 3 = Yellow 4 = Blue 6 = Green 9 = Transparent
 가

Insulated Solderless Terminals and Splices

A Wire Pin Terminal: Straight



AVA Vinyl

Standard	Type	Order No.	Dimension (mm)					Material Thickness (t)	Color	Wire Range			Crimp Tool	Packaging		
			B	H	L	I	d			Solid (mm)	Stranded(mm)	AWG (#)				
	AVA-1.25	50896-300	1.6	1.6	22.2	9.5	3.3	0.8	Red	0.8-1.44	0.5-1.65	20-16	57343-5008	10,000		
	AVA-1.25LB	50896-301	1.7	1.7	26.5				4.1	Blue	1.14-1.82	1.04-2.63		16-14	57343-9005	6,000
	AVA-2	50896-302	1.6	1.6	22.2				4.1	0.8	Blue	1.14-1.82	1.04-2.63	16-14	57343-9005	6,000
	AVA-2LB	50896-303	1.7	1.7	26.5											
	AVA-5.5	50896-304	2.0	2.0	28.7	14.0	5.4	Yellow	1.82-2.89	2.63-6.64	12-10	57258-5000, 57343-9005	1,200			

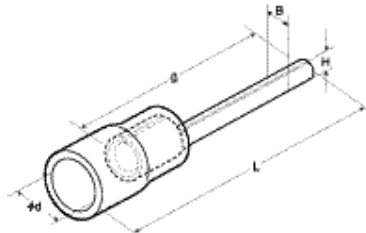
• Replace * with (*)
 0 = White 1 = Black 2 = Red 3 = Yellow 4 = Blue 6 = Green 9 = Transparent

APA Nylon

Standard	Type	Order No.	Dimension (mm)					Material Thickness (t)	Color	Wire Range			Crimp Tool	Packaging		
			B	H	L	I	d			Solid (mm)	Stranded(mm)	AWG (#)				
	APA-1.25	50896-400	1.6	1.6	26.5	9.5	3.3	0.8	Red	0.8-1.44	0.5-1.65	20-16	57343-5008	10,000		
	APA-1.25LB	50896-401	1.7	1.7					4.1	Blue	1.14-1.82	1.04-2.63		16-14	57343-9005	6,000
	APA-2	50896-402	1.6	1.6					4.1	0.8	Blue	1.14-1.82	1.04-2.63	16-14	57343-9005	6,000
	APA-2LB	50896-403	1.7	1.7												
	APA-5.5	50896-404	2.0	2.0	28.7	14.0	5.4	Yellow	1.82-2.89	2.63-6.64	12-10	57258-5000, 57343-9005	1,200			

• Replace * with (*)
 0 = White 1 = Black 2 = Red 3 = Yellow 4 = Blue 6 = Green 9 = Transparent
 • APA Contact Molex.

A Wire Pin Terminal: Flared



BVA Vinyl

Standard	Type	Order No.	Dimension (mm)					Material Thickness (t)	Color	Wire Range			Crimp Tool	Packaging		
			B	H	L	I	d			Solid (mm)	Stranded(mm)	AWG (#)				
	BVA-1.25	50896-350	1.6	1.6	22.2	9.5	4.1	0.8	Red	0.8-1.44	0.5-1.65	20-16	57343-5008	10,000		
	BVA-1.25LB	50896-351	1.7	1.7	26.5				4.7	Blue	1.14-1.82	1.04-2.63		16-14	57343-9005	6,000
	BVA-2	50896-352	1.6	1.6	22.2				4.7	0.8	Blue	1.14-1.82	1.04-2.63	16-14	57343-9005	6,000
	BVA-2LB	50896-353	1.7	1.7	26.5											
	BVA-5.5	50896-354	2.0	2.0	28.7	14.0	6.4	Yellow	1.82-2.89	2.63-6.64	12-10	57258-5000, 57343-9005	1,200			

• Replace * with (*)
 0 = White 1 = Black 2 = Red 3 = Yellow 4 = Blue 6 = Green 9 = Transparent

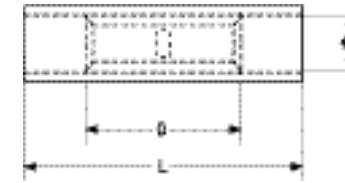
BPA Nylon

Standard	Type	Order No.	Dimension (mm)					Material Thickness (t)	Color	Wire Range			Crimp Tool	Packaging		
			B	H	L	I	d			Solid (mm)	Stranded(mm)	AWG (#)				
	BPA-1.25	50896-450	1.6	1.6	26.5	9.5	4.1	0.8	Red	0.8-1.44	0.5-1.65	20-16	57343-5008	10,000		
	BPA-1.25LB	50896-451	1.7	1.7					4.7	Blue	1.14-1.82	1.04-2.63		16-14	57343-9005	6,000
	BPA-2	50896-452	1.6	1.6					4.7	0.8	Blue	1.14-1.82	1.04-2.63	16-14	57343-9005	6,000
	BPA-2LB	50896-453	1.7	1.7												
	BPA-5.5	50896-454	2.0	2.0	28.7	14.0	6.4	Yellow	1.82-2.89	2.63-6.64	12-10	57258-5000, 57343-9005	1,200			

• Replace * with (*)
 0 = White 1 = Black 2 = Red 3 = Yellow 4 = Blue 6 = Green 9 = Transparent
 • BPA Contact Molex.

Insulated Solderless Terminals and Splices

B Butt Splice: Straight



AVB Vinyl In Process Request

Standard	Type	Order No.	Dimension (mm)			Color	Wire Range			Crimp Tool	Packaging
			L	I	d		Solid (mm)	Stranded(mm)	AWG (#)		
	AVB-1.25	50530-300	25.0	15.0	3.2	Red	0.8-1.44	0.5-1.65	20-16	57259-5000	10,000
	AVB-2	50530-301			4.0	Blue	1.14-1.82	1.04-2.63	16-14		
	AVB-5.5	50530-302			27.0	5.2	Yellow	1.82-2.89	2.63-6.64	12-10	57258-5000

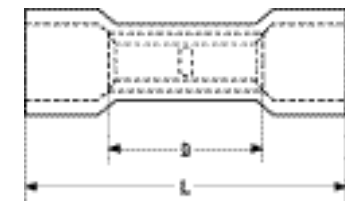
• Replace * with (*)
 0 = White 1 = Black 2 = Red 3 = Yellow 4 = Blue 6 = Green 9 = Transparent

APB Nylon In Process Request

Standard	Type	Order No.	Dimension (mm)			Color	Wire Range			Crimp Tool	Packaging
			L	I	d		Solid (mm)	Stranded(mm)	AWG (#)		
	APB-1.25	50530-400	25.0	15.0	3.2	Red	0.8-1.44	0.5-1.65	20-16	57259-5000	10,000
	APB-2	50530-401			4.0	Blue	1.14-1.82	1.04-2.63	16-14		
	APB-5.5	50530-402			27.0	5.2	Yellow	1.82-2.89	2.63-6.64	12-10	57258-5000

• Replace * with (*)
 0 = White 1 = Black 2 = Red 3 = Yellow 4 = Blue 6 = Green 9 = Transparent

B Butt Splice: Flared



BVB Vinyl In Process Request

Standard	Type	Order No.	Dimension (mm)			Color	Wire Range			Crimp Tool	Packaging
			L	I	d		Solid (mm)	Stranded(mm)	AWG (#)		
	BVB-1.25	50530-350	25.0	15.0	4.1	Red	0.8-1.44	0.5-1.65	20-16	57259-5000	10,000
	BVB-2	50530-351			4.7	Blue	1.14-1.82	1.04-2.63	16-14		
	BVB-5.5	50530-352			27.0	6.4	Yellow	1.82-2.89	2.63-6.64	12-10	57258-5000

• Replace * with (*)
 0 = White 1 = Black 2 = Red 3 = Yellow 4 = Blue 6 = Green 9 = Transparent

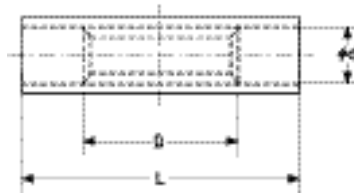
BPB Nylon In Process Request

Standard	Type	Order No.	Dimension (mm)			Color	Wire Range			Crimp Tool	Packaging
			L	I	d		Solid (mm)	Stranded(mm)	AWG (#)		
	BPB-1.25	50530-450	25.0	15.0	4.1	Red	0.8-1.44	0.5-1.65	20-16	57343-5008	10,000
	BPB-2	50530-451			4.7	Blue	1.14-1.82	1.04-2.63	16-14		
	BPB-5.5	50530-452			27.0	6.4	Yellow	1.82-2.89	2.63-6.64	12-10	57258-5000

• Replace * with (*)
 0 = White 1 = Black 2 = Red 3 = Yellow 4 = Blue 6 = Green 9 = Transparent
 • B Contact Molex.

Insulated Solderless Terminals and Splices

P Parallel Splice: Straight



AVP Vinyl



Standard	Type	Order No.	Dimension (mm)			Color	Wire Range			Crimp Tool	Packaging
			L	I	d		Solid (mm)	Stranded(mm)	AWG (#)		
	AVP-1.25	50532-300 *	16.0	8.0	3.2	Red	0.8-1.44	0.5-1.65	20-16	57259-5000	10,000
	AVP-2	50532-301 *			4.0	Blue	1.14-1.82	1.04-2.63	16-14	57343-9005	
	AVP-5.5	50532-302 *	20.0	8.5	5.2	Yellow	1.82-2.89	2.63-6.64	12-10	57258-5000	

* (*)
Replace * with 0 = White 1 = Black 2 = Red 3 = Yellow 4 = Blue 6 = Green 9 = Transparent

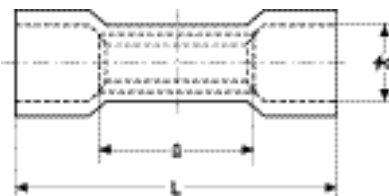
APP Nylon



Standard	Type	Order No.	Dimension (mm)			Color	Wire Range			Crimp Tool	Packaging
			L	I	d		Solid (mm)	Stranded(mm)	AWG (#)		
	APP-1.25	50532-400 *	16.0	8.0	3.2	Red	0.8-1.44	0.5-1.65	20-16	57259-5000	10,000
	APP-2	50532-401 *			4.0	Blue	1.14-1.82	1.04-2.63	16-14	57343-9005	
	APP-5.5	50532-402 *	20.0	8.5	5.2	Yellow	1.82-2.89	2.63-6.64	12-10	57258-5000	

* (*)
Replace * with 0 = White 1 = Black 2 = Red 3 = Yellow 4 = Blue 6 = Green 9 = Transparent

P Parallel Splice: Flared



BVP Vinyl



Standard	Type	Order No.	Dimension (mm)			Color	Wire Range			Crimp Tool	Packaging
			L	I	d		Solid (mm)	Stranded(mm)	AWG (#)		
	BVP-1.25	50532-350 *	16.0	8.0	4.1	Red	0.8-1.44	0.5-1.65	20-16	57259-5000	10,000
	BVP-2	50532-351 *			4.7	Blue	1.14-1.82	1.04-2.63	16-14	57343-9005	
	BVP-5.5	50532-352 *	20.0	8.5	6.4	Yellow	1.82-2.89	2.63-6.64	12-10	57258-5000	

* (*)
Replace * with 0 = White 1 = Black 2 = Red 3 = Yellow 4 = Blue 6 = Green 9 = Transparent

BPP Nylon

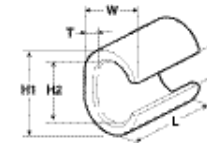


Standard	Type	Order No.	Dimension (mm)			Color	Wire Range			Crimp Tool	Packaging
			L	I	d		Solid (mm)	Stranded(mm)	AWG (#)		
	BPP-1.25	50532-450 *	16.0	8.0	4.1	Red	0.8-1.44	0.5-1.65	20-16	57259-5000	10,000
	BPP-2	50532-451 *			4.7	Blue	1.14-1.82	1.04-2.63	16-14	57343-5008	
	BPP-5.5	50532-452 *	20.0	8.5	6.4	Yellow	1.82-2.89	2.63-6.64	12-10	57258-5000	

* (*)
Replace * with 0 = White 1 = Black 2 = Red 3 = Yellow 4 = Blue 6 = Green 9 = Transparent

* P 가 Contact Molex.

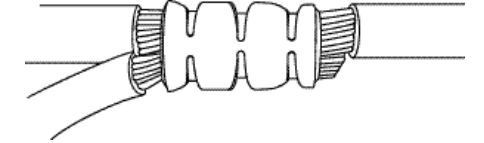
C Tapping Splices



T-20, T-26, T-44
Except T-20, T-26, T-44



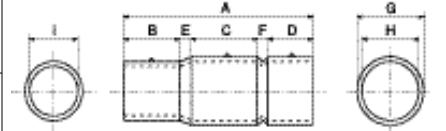
(T-154~T-700)



Type	Order No.	Dimension (mm)						Number of Times Crimped/Position		Wire Range	Crimp Tool	Packaging
		H1	H2	W	L	T	B	Number of Times	S			
T-11	50971-0120	9.5	6.3	6.2	12.0	1.6	4.0	2	6.0	7.5-11	57343-5014	1,000
T-16	50971-0220	11.8	7.8	7.8	13.0	2.0	5.0		7.0	11.5-16	57343-5015	
T-20	50971-0320	12.8	8.6	9.7		13.0	2.9	5.1	-	14-20		57343-5016
T-26	50971-0420	14.7	10.2	10.9	13.0		3.2	6.5	-	21-26		
T-44	50971-0520	19.0	13.4	14.4		13.0	4.0	8.5	-	27-44	57343-5016	50
T-60	50971-0620	21.0	15.4	15.1	13.0		4.0	9.7	-	45-60		
T-76	50971-0720	24.4	17.3	17.6		13.0	5.0	10.8	2	11.0	61-76	57343-5016
T-98	50971-0820	27.0	20.1	19.2	13.0		5.5	12.4		-	99-122	
T-122	50971-0920	29.8	22.1	21.2		13.0	5.5	13.5	2	12.0	123-154	57343-9013
T-154	50971-1020	34.0	25.7	24.4	13.0		6.0	17.0		-	8.5	
T-190	50971-1120	37.0	28.5	25.4		13.0	6.0	17.4	3	10.5	191-240	57343-9013
T-240	50971-1220	41.7	31.7	28.5	13.0		7.0	19.0		-	13.0	
T-288	50971-1320	45.5	36.0	31.1		13.0	7.0	22.3	3	14.5	289-365	57343-9014
T-365	50971-1420	48.4	38.6	34.0	13.0		7.0	24.8		-	16.0	
T-450	50971-1520	57.0	42.5	41.0		13.0	10.0	28.0	2	18.5	451-560	57343-9014
T-560	50971-1620	62.0	46.0	45.0	13.0		11.0	31.0		-	20.0	
T-700	50971-1720	68.0	51.0	49.5		13.0	12.0	34.0	2	21.0	561-700	57343-9014
T-450H	50971-1820	57.0	42.5	41.0	13.0		10.0	28.0		-	25.0	
T-560H	50971-1920	62.0	46.0	45.0		13.0	11.0	31.0	2	25.0	451-560	57343-9014
T-700H	50971-2020	68.0	51.0	49.5	13.0		12.0	34.0		-	25.0	

Insulation Cover

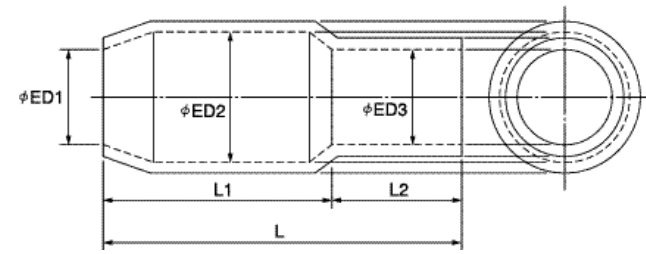
Applicable Splice	Order No.	Dimension (mm)									Packaging
		A	B	C	D	E&F	G	H	I		
T-20	59835-0101	71	26	20	17	4	18	16	14	100	
T-26	59835-0201	80	27	23	22		20	18	16		
T-44	59835-0301	82		25	25	20	22	20	18		
T-60	59835-0401	84	25	29	20	5	26	23	21	50	
T-76	59835-0501						28	25	22		
T-98	59835-0601	97	28	35	22	6	31	27	23		
T-122	59835-0701	98		36			22	33	28	24	
T-154	59835-0801	100	28	38	22	6	35	28	24	25	
T-190	59835-0901	110		45			27		37		31
T-240	59835-1001	135	40	50	33	6	38	33	28		
T-288	59835-1101		38	56	29				40	36	31
T-365	59835-1201	137	36	55	34	6	40	36	31		



Wire Range Cross Reference

Main	Branch	2	3.5	5.5	8	14	22	30	38	50	60	80	100	125	150	200	250	325
5.5(2.9)			11	11														
8		11	16	16	16													
14		16	20	20	26													
22		26	26		44	44												
30		44	44		44	44	44											
38					60	60	60	60	60									
50		60	60	60	60	60	76	76	76	76								
60		76	76	76	76	76	98	98	98	122	122							
80		98	98	98	98	98	122	122	122	154	154	190						
100		122	122	122	122	122	122	154	154	154	154	190	190					
125				154	154	154	154	190	190	190	190	240	240	240				
150				190	190	190	190	190	190	240	240	240	240	240	288			
200		240	240	240	240	240	240	240	240	288	288	288	288	288	365	365		
250				288	288	288	288	288	288	365	365	365	365	365	365	365		
325				365	365	365	365	365	365	450	450	450	450	450	450	450	450	450
400								450	450	560	560	560	560	560	560	560	560	560
500								560	560	560	560	700	700	700	700	700	700	700
600										700	700	700	700	700	700	700	700	700

Vinyl Insulation Cap



Type	Order No.	Dimension (mm)						(1) Material Thickness	Packaging
		D1	D2	D3	L	L1	L2		
V-1.25 (*)	59732-010*	2.8	3.3	3.1	13.0	6.0	7.0	0.8	1,000
V-2 (*)	59732-020*	3.3	4.5	3.7	14.0	7.0	1.0		
V-3.5 (*)	59732-030*	4.2	5.7	4.3	17.0	9.0			
V-5.5 (*)	59732-040*	4.8		5.2					
V-8 (*)	59732-050*	6.2	7.2	6.2	19.0	10.0	9.0	1.1	100
V-14 (*)	59732-060*	7.5	10.0	8.0	25.0	14.0	11.0		
V-22 (*)	59732-070*	10.5	12.0	9.5	30.0	15.0	15.0	1.2	
V-38 (*)	59732-080*	12.5	14.0	11.8	34.0	17.5	16.5		
V-60 (*)	59732-090*	15.0	16.8	13.5	39.0	20.0	19.0	1.5	
V-80 (*)	59732-100*	17.0	19.0	16.0	47.0	25.0	22.0		
V-100 (*)	59732-110*	19.0	22.0	18.0	54.0	30.0	24.0	1.7	50
V-150 (*)	59732-120*	23.0	24.5	22.0	65.0	35.0	30.0		25
V-200 (*)	59732-130*	27.0	32.0	24.0					
V-250 (*)	59732-140*	29.0	38.0	26.5	77.0	36.0	41.0	2.5	20
V-325 (*)	59732-150*			29.0	79.0	37.0	42.0		

(*) Replace * with 0 = White, 1 = Black, 2 = Red, 3 = Yellow, 4 = Blue, 6 = Green, 7 = Transparent, 8 = Dark Red. Contact Molex.

Application Tooling

Molex's Application Tooling for Solderless Terminals includes hand crimpers, and pneumatic and electrically operated tools. For operation details, please see the Users Guides for each tool.

Hand Crimper	34	Hydraulic Pump	37
Hydraulic Hand Crimper	36	Foot-Operated Pneumatic Tool	38
Hydraulic Tool (Head Separated Type)	36	Semi-Automatic Terminator	38
Electrically Operated Hydraulic Tool	37	C Tool for Tapping Splice and Tubular Lug	39

Hand Crimper

For Non-Insulated Solderless Terminals and Splices



Product Number : 57343-5001
Wire Range : 0.3, 0.5mm²
/ Overall Length/Weight : 275mm/430g



Product Number : 57343-5002
Wire Range : 1.25, 2mm²
/ Overall Length/Weight : 185mm/210g
Reference : JIS C9711 Standard Product



Product Number : 57343-5004
Wire Range : 2, 3.5, 5.5, 8, 14mm²
/ Overall Length/Weight : 297mm/550g
Reference : JIS C9711 Standard Product



Product Number : 57257-5000
Wire Range : 1.25, 3.5, 5.5, 8mm²
/ Overall Length/Weight : 275mm/430g
Reference : JIS C9711 Standard Product

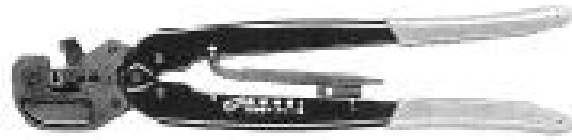


Product Number : 57343-5005
Applicable Range : E - Large, Medium, Small
/ Overall Length/Weight : 290mm/490g
Reference : JIS C9711 Standard Product

Application Tooling

Hand Crimper

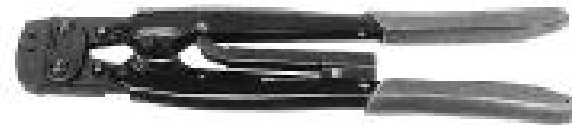
For Insulated Solderless Terminals and Splices



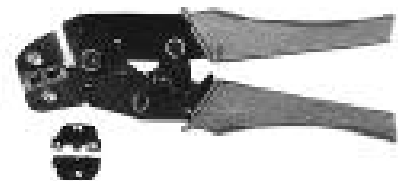
Product Number : 57258-5000
 Wire Range : 3.5, 5.5mm²
 / Overall Length/Weight : 325mm/910g



Product Number : 57259-5000
 Wire Range : 1.25, 2mm²
 / Overall Length/Weight : 270mm/490g



Product Number : 57343-5007
 Wire Range : 0.3, 0.5mm²
 / Overall Length/Weight : 265mm/500g

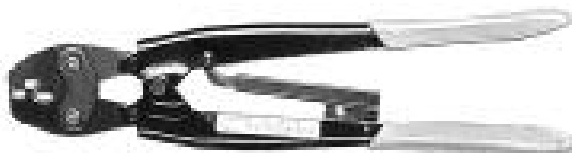


Product Number : 57343-5008
 Wire Range : 1.25, 2mm²
 / Overall Length/Weight : 195mm/350g
 : , /
 Reference : Applicable for Insulated and Non-Insulated Solderless Terminals (Die needs to be changed in each case)

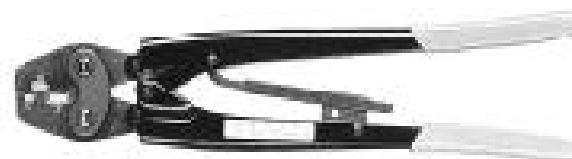


Product Number : 57343-5009
 Wire Range : 1.25, 2, 5.5mm²
 / Overall Length/Weight : 250mm/520g
 : , /
 Reference : Applicable for Insulated/Non-Insulated Solderless Terminals and Splices (Die needs to be changed in each case.)

For Insulated Connectors



Product Number : 57343-5010
 Wire Range : CE-1, CE-2, CE-5, CD-1, CD-2, CD-5
 / Overall Length/Weight : 275mm/440g
 : JIS C2807 CE
 Reference : Applicable for JIS C2807 compliant Closed-End connectors



Product Number : 57343-5011
 Wire Range : CE-2, CE-5, CE-8, CD-2, CD-5
 / Overall Length/Weight : 325mm/630g
 : JIS C2807 CE
 Reference : Applicable for JIS C2807 compliant Closed-End connectors

Application Tooling

Hydraulic Hand Crimper

For Non-Insulated Solderless Terminals and Splices



Product Number : 57343-5012
 가 Tonnage : 54kN(5.5tonf)
 Wire Range : 14~60mm²
 / Overall Length/Weight : 364mm/2.1kg
 Dies : (Male) 14-38, 60
 (Female) 14, 22, 38, 60
 : JIS C9711 ,
 Reference : JIS C9711 Standard Product (with plastic carrying case)



Product Number : 57343-5013
 가 Tonnage : 118kN(12tonf)
 Wire Range : 14~150mm²
 / Overall Length/Weight : 508mm/4.2kg
 Dies : (Male) 14, 22, 38-70, 80-150
 (Female)
 : JIS C9711 ,
 Reference : JIS C9711 Standard Product (with plastic carrying case)

Hydraulic Tool (Head Separated Type)

For Non-Insulated Solderless Terminals and Splices



Product Number : 57343-9001
 가 Tonnage : 226kN(23tonf)
 Wire Range : 42.42~325mm²
 Normal : 60~325
 / Overall Length/Weight : 210mm/7.5kg
 Dies : (Male) 22-60, 70-100, 150-325
 (Female) 60, 80, 100, 150, 180, 200, 325
 : 85 cc, JIS C9711 ,
 Reference : Oil level 85cc
 JIS C9711 Standard Product (with metal carrying case)



Product Number : 57343-9002
 가 Tonnage : 226kN(23tonf)
 Wire Range : 42.42~325mm²
 Normal : 60~325
 / Overall Length/Weight : 280mm/9.1kg
 Dies : (Male) 22-60, 70-100, 150-325
 (Female) 60, 80, 100, 150, 180, 200, 325
 : 85 cc, JIS C9711 ,
 Reference : Oil level 85cc
 JIS C9711 Standard Product (with metal carrying case)

Application Tooling

Electrically Operated Hydraulic Tool



Product number : 57343-9003
 Wire Range : 14~60mm²
 가 Tonnage : 54kN(5.5tonf)
 Power Supply : 14.4V DC Motor
 Size : 260 x 240 x 70mm
 Weight : 2.5kg (Excluding battery's weight)
 가 : 80 (60mm²) ~ 140 (14mm²) (1 가)
 : JIS C9711
 : (1.2Ah, 60), , ,
 (14-38, 60mm²), (14/22/38, 60mm²)
 Crimp Cycles : 80 (60mm² wire) to 140 (14mm² wire), with a fully-charged battery pack
 Reference : JIS C9711 Standard Product
 Standard Accessories : Battery pack (rated capacity: 1.2Ah, recharge time: 60 minutes)
 Battery charger, Carrying case
 Male die (14-38, 60mm²), Female die (14/22/38, 60mm²)



Product number : 57343-9004
 Wire Range : 14~150mm²
 가 Tonnage : 98kN(10tonf)
 Power Supply : 14.4V DC Motor
 Size : 340 x 256 x 70mm
 Weight : 3.7kg (Excluding battery's weight)
 가 : 30 (150mm²) ~ 50 (14mm²) (1 가)
 : JIS C9711 , , (LED)
 : (1.2Ah, 15)
 , , (14-150mm²)
 Crimp Cycles : 80 (60mm² wire) to 140 (14mm² wire), with a fully-charged battery pack
 Reference : JIS C9711 Standard Product
 Standard Accessories : Battery pack (rated capacity: 1.2Ah, recharge time: 60 minutes)
 Battery charger, Carrying case, Male/Female die (14-150mm²)

: 가
 Note: Crimp cycles vary depending on the condition of recharge and the aging deterioration of battery performance.

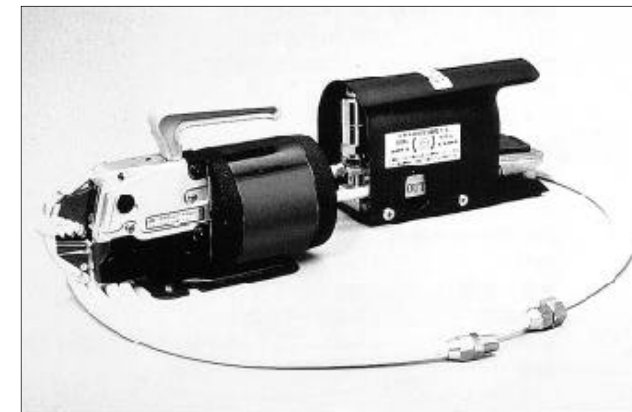
Hydraulic Pump



Product number : 57343-9012
 / Oil Level/Weight : 3 liter/30kg
 Size : 354 x 200 x 403mm
 Power Supply : 100V 550W
 Hose : Order separately
 : 68MPa (700kgf/cm²)
 2MPa (20kgf/cm²)
 : 0.6 l/min 2.6 l/min,
 : JIS C9711 , 5m,
 3m
 Setting Pressure: High 68MPa (700kgf/cm²) Low 2MPa (20kgf/cm²)
 with pressure controller
 Oil Discharge: High 0.6 liter per minute, Low 2.6 liter per minute
 Two-stage pressure type
 Reference : JIS C9711 Standard Product
 Length of remote controller cable = 5m
 Length of power cable = 3m

Application Tooling

Foot-Operated Pneumatic Tool



Product Number : 57343-9005
 Air Pressure : 5~6kgf/cm²
 / Size/Weight : 190 x 99 x 92mm/1.9kg
 : 341/min (30)
 : 10kgf/cm²
 :
 : 2m,
 2m
 Air Consumption: 341/min (in case of 30 crimping actions per minute)
 Hose : 10kgf/cm² high pressure type with PT 1/4 mouth piece
 Operation style : Foot pedal
 Reference : Head should be ordered separately
 Hose Length: 2m from air Joint to foot pedal, 2m from foot pedal to tool body.

Head Types



Head Types			
Product Number	Tooling Dies	Crimp Range	
57343-9006	1	1.25~5.5mm ²	Non-Insulated Solderless Terminals
57343-9007	3	1.25mm ²	Insulated Solderless Terminals
57343-9008	4	2mm ²	
57343-9009	5	5.5mm ²	CE
57343-9010	7	CE-2, CE-5	
57343-9011	8	CE-1, CE-8	

Semi-Automatic Terminator

35941-2000



Product Number : 35941-2000
 Crimping Speed : 0.4 sec
 Stroke : 30 m/m, 38 m/m (optional)
 / Size/Weight : 270Lx460Wx490H (mm) 90kg
 Power : 220V 60Hz, 110V 50/60 Hz (optional)
 Motor : 1/4 Hp

Perma-Seal



The insulation is a nylon shrink tubing with an inner wall of hot-melt adhesive. After the wire is crimped, heat is applied and the insulation shrinks and melts to give the crimp area a complete environmental seal. Wire range 10 to 22 AWG (0.10 to 6.60mm²)

Eyelet



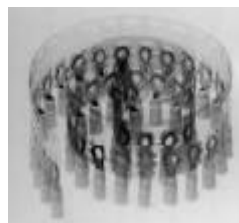
Our color-coded eyelet terminals can be used in place of standard compression terminals because they are deep drawn from CDA-110 electrolytic tough pitch Copper stock and then Tin plated for corrosion resistance.

Hook



This tongue type combines the security advantage of the ring with the easy-handling characteristics of the spade.

Mylar Tape Carrier



AWG 4 ~ 26 Molex-ETC () 3600
Most Molex-ETC terminals in the 4 to 26 AWG wire range and Fully Insulated Quick Disconnects can be tape-mounted and, when used with one of our air powered, automatic tape crimping presses, can deliver up to 3600 crimps per hour. This carrier gives the most flexibility in the production area.

Continuous Molded Strip



, Molex-ETC ACP-101 3600
The fully insulated line of Quick Disconnects is also available in easy-to-identify, color-coded, continuous molded nylon strips. When used with the Molex-ETC ACP-101 air powered crimping press, you can make up to 3600 crimps per hour, greatly reducing your overall applied costs.

Butt Splice



Stripped wires are inserted from each end and "butt" in the center. Then a crimp at each end secures the connection.

Step Down Butt Splice



The Step Down Butt Splice is the perfect solution when 2 wires need to be inserted in one end of a splice and a single wire in the other end.

Funnel Entry Butt Splice



In the past, the crimping of machine terminated butt splices has been difficult and nearly impossible if attempted on a piece of robotic equipment. Now, with our new Funnel Entry Butt Splice, the end that will be crimped by the crimping press is funneled to allow quick and easy wire insertion.

Parallel Splice



Stripped wires lie side-by-side in the splice and are secured by a single crimp in the middle.

Avikrimp® Butt Splice



With the extra metal sleeve and nylon insulation, these splices should be used when heavy vibration is anticipated and a strong strain relief is needed.

Wire Tap



The quick and easy way to splice into a wire.

Window Butt Splice



QPL'd to Mil-T-7928/5

Single Row Barrier Terminal Strip



Dual Level PCB Barrier Terminal Strip



Double Row Barrier Terminal Strip



Eurostyle Header



Pluggable Eurostyle® Locking Block and Header



Eurostyle Two Screw Terminal Strip



Eurostyle Two Level (Fixed) Block



Single Row Tri-Barrier Terminal Strip



Single Row Phenolic Riveted Quick Connect Assembly



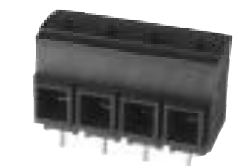
Pluggable Eurostyle®



Pluggable Euromate®



Eurostyle High Power (Fixed) Block



Eurostyle® Fixed Terminal Block



Eurostyle Three Level (Fixed) Block



/ 726-3
Tel : 031-492-9000
Fax : 031-491-4364

3 25-4
Tel : 02-780-2333
Fax : 02-780-3989

가 6 92-9
Tel : 054-472-6162
Fax : 054-472-6164

751-7
Tel : 062-944-0006
Fax : 062-944-6711

1 707-1 8
Tel : 051-818-4660
Fax : 051-818-4663



Bringing People & Technology Together, Worldwide™

Americas Headquarters
Lisle, Illinois 60532 U.S.A.
Tel: 1-800-78MOLEX
Fax: 630-969-1352

Far East North Headquarters
Yamato, Kanagawa, Japan
Tel: 81-462-65-2324
Fax: 81-462-65-2366

Far East South Headquarters
Jurong, Singapore
Tel: 65-6268-6868
Fax: 65-6265-2985

European Headquarters
Munich, Germany
Tel: 49-89-413092-0
Fax: 49-89-401527

Corporate Headquarters
2222 Wellington Court
Lisle, Illinois 60532 U.S.A.
Tel: 630-969-4550
Fax: 630-969-1352

www.molex.com

Printed in Korea/2K/KY/KY/2002.09

© 2002, Molex Korea

Order No. KOR-005/Rev.2