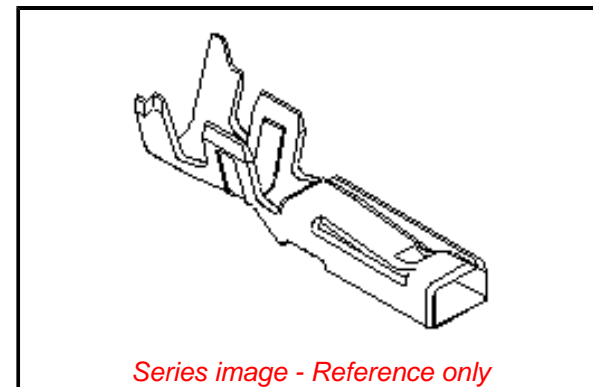


PLEASE CHECK WWW.MOLEX.COM FOR LATEST PART INFORMATION

Part Number: **0500398100**
Status: **Active**
Overview: Mizu Sealed Connectors
Description: 2.50mm Pitch Mizu-P25 Crimp Terminal, 50039, Bag

Documents:

Drawing (PDF)	Application Specification AS-50038-001-001 (PDF)
Product Specification PS-52048-001-001 (PDF)	Packaging Specification 500390001-P00 (PDF)
Product Specification PS-52117-007-001 (PDF)	RoHS Certificate of Compliance (PDF)
Product Specification PS-52117-008-001 (PDF)	



General

Product Family	Crimp Terminals
Series	<u>50039</u>
Application	Signal, Wire-to-Wire
Crimp Quality Equipment	Yes
Overview	<u>Mizu Sealed Connectors</u>
Packaging Alternative	<u>500398000 (Reel)</u>
Product Name	Mizu-P25 Waterproof
Taxonomy	Crimp Terminals
UPC	800754368698

Physical

Gender	Female
Material - Metal	Phosphor Bronze
Material - Plating Mating	Tin
Material - Plating Termination	Tin
Net Weight	60.500/mg
Packaging Type	Bag
Plating min - Mating	0.889µm
Plating min - Termination	0.914µm
Termination Interface: Style	Crimp or Compression
Wire Insulation Diameter	1.80-1.90mm
Wire Size AWG	20, 22
Wire Size mm ²	N/A

Electrical

Voltage - Maximum	250V
-------------------	------

Solder Process Data

Lead-freeProcess Capability	N/A
-----------------------------	-----

Material Info

Reference - Drawing Numbers

Application Specification	AS-50038-001-001
Packaging Specification	500390001-P00
Product Specification	PS-52048-001-001, PS-52117-007-001, PS-52117-008-001
Sales Drawing	SD-50039-001-001

EU ELV

Compliant

EU RoHS

Compliant

China RoHS

REACH SVHC

Not Contained Per -
D(2022)4187-DC (10
June 2022)

Halogen-Free

Status

Low-Halogen

For more information, please visit [Contact US](#)

China ROHS	Not Relevant
ELV	Compliant
RoHS Phthalates	Not Contained

Search Parts in this Series

50039 Series

Use With

Mizu-P25 2.50mm Pitch Waterproof
Receptacle Housing 52117

Application Tooling | FAQ

Tooling specifications and manuals are found by selecting the products below. Crimp Height Specifications are then contained in the Application Tooling Specification document.

Global

Description	Product #
-------------	-----------

Extraction and Activation Tool	<u>638132700</u>
PremiumGrade Hand Crimp Tool for Mizu-P25 Splash Proof Crimp Terminals	<u>638233900</u>

PLEASE CHECK WWW.MOLEX.COM FOR LATEST PART INFORMATION