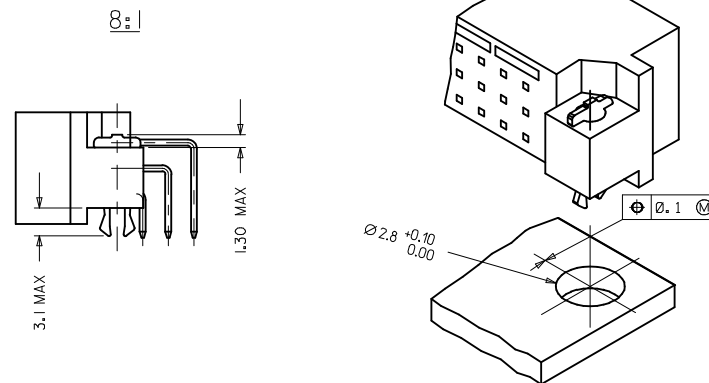


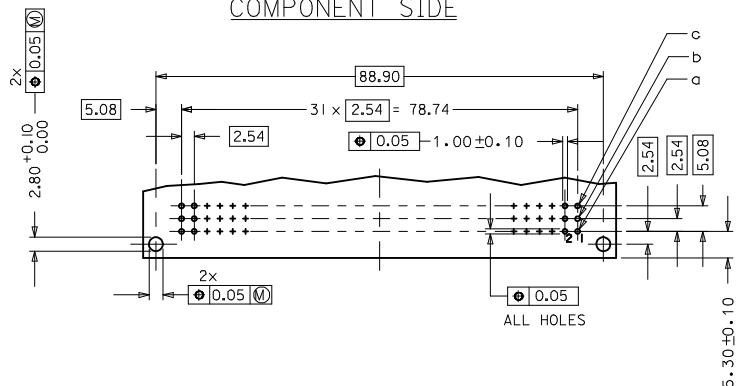
WITH MOUNTING CLIPS



NOTES:

- 1) MATERIALS: THERMOPLASTIC POLYESTER, GLASS FILLED, UL94V-0. COLOUR: PEBBLE GREY RAL 7032
TERMINAL - BRASS
MOUNTING CLIP: STEEL
- 2) FINISH: CONTACT AREA
 1. PERFORMANCE LEVEL 1: SELECTIVE GOLD (Au), THICKNESS = 1.1 MICROMETER OVER NICKEL, THICKNESS = 1.25 MICROMETER
 2. PERFORMANCE LEVEL 2: SELECTIVE GOLD (Au), THICKNESS = 0.6 MICROMETER OVER NICKEL, THICKNESS = 1.25 MICROMETER
 3. PERFORMANCE LEVEL 3: SELECTIVE GOLD (Au), THICKNESS = 0.3 MICROMETER OVER NICKEL, THICKNESS = 1.25 MICROMETER
 TERMINATION AREA : SELECTIVE TIN, THICKNESS = 2.5 MICROMETER OVER NICKEL, THICKNESS = 1.25 MICROMETER OVERALL
- 3) MOUNTING CLIP:-
TIN (Sn), THICKNESS = 5-10 MICROMETER,
OVER NICKEL (Ni), THICKNESS = 2.5 MICROMETER
- 4) FOR NON MOUNTING CLIP OPTION, CONNECTOR TO BE SECURED WITH RIVETS: 2 TUBULAR RIVETS 2.5 x 0.3 ... DIN 7340
SCREWS: 2 CHEESEHEAD SCREWS M2.5 x ... DIN 84 AND 2 HEXAGONAL NUTS M2.5 DIN 934
- 5) STANDARD MARKING : MOLEX, MATERIAL NUMBER, BATCH CODE
- 6) CUT FACE OF TIP WITHOUT PLATING PERMITTED
- 7) PRODUCT SPECIFICATION PS : 85003-0001

RECOMMENDED PCB LAYOUT
COMPONENT SIDE

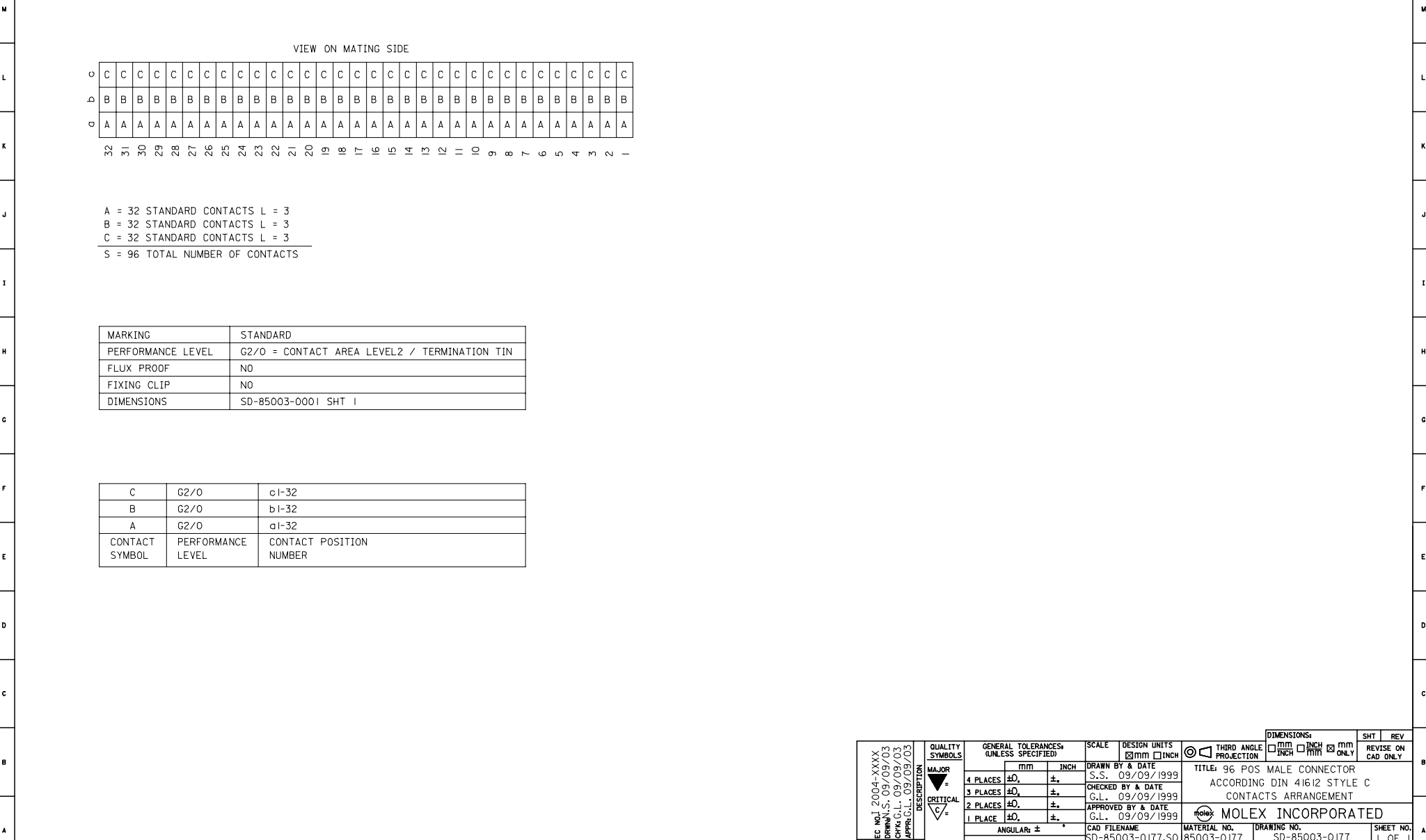


LMFB CONTACTS	4,2
FMLB CONTACTS	5,4
NORMAL CONTACTS	4,8
	M

RoHS COMPLIANT

ENTER DESCRIPTION ELEC NO: 12007-0953 DRAWNSURENGG 2007/01/08 CHKD:SSUDHR 2007/01/08 APPR:KPRASAD 2007/01/09	QUALITY SYMBOLS ▽=0 ▽=0	GENERAL TOLERANCES (UNLESS SPECIFIED) mm INCH		DIMENSION STYLE MM ONLY	SCALE 2:1	DESIGN UNITS METRIC	THIRD ANGLE PROJECTION		
		4 PLACES ± --- ± --- 3 PLACES ± 0.05 ± --- 2 PLACES ± 0.1 ± --- 1 PLACE ± 0.15 ± ---	DRAWN BY SS 1999/09/09	CHECKED BY GJLOWE 1999/09/09	APPROVED BY GJLOWE 1999/09/09	MATERIAL NO. SEE CHART	DOCUMENT NO. SD-85003-0001	TITLE ASSEMBLY, DIN 41612 C MALE 96 POS	SHEET NO. 1 OF 12
		DRAFT WHERE APPLICABLE MUST REMAIN WITHIN DIMENSIONS		THIS DRAWING CONTAINS INFORMATION THAT IS PROPRIETARY TO MOLEX INCORPORATED AND SHOULD NOT BE USED WITHOUT WRITTEN PERMISSION		MOLEX MOLEX INCORPORATED			

20 19 18 17 16 15 14 13 12 11 9 8 7 6 5 4 3 2 1



VIEW ON MATING SIDE

O	C	C	C	C	C	C	C	C	C	C	C	C	C	C	C	C	C	C	C	C	C	C	C	C	C	C	C	C	C	C	C	C	C	C	C	C	
D	B	B	B	B	B	B	B	B	B	B	B	B	B	B	B	B	B	B	B	B	B	B	B	B	B	B	B	B	B	B	B	B	B	B	B	B	B
O	A	A	A	A	A	A	A	A	A	A	A	A	A	A	A	A	A	A	A	A	A	A	A	A	A	A	A	A	A	A	A	A	A	A	A	A	
	32	31	30	29	28	27	26	25	24	23	22	21	20	19	18	17	16	15	14	13	12	11	10	9	8	7	6	5	4	3	2	1					

A = 32 STANDARD CONTACTS L = 3
 B = 32 STANDARD CONTACTS L = 3
 C = 32 STANDARD CONTACTS L = 3
 S = 96 TOTAL NUMBER OF CONTACTS

MARKING	STANDARD
PERFORMANCE LEVEL	G2/O = CONTACT AREA LEVEL2 / TERMINATION TIN
FLUX PROOF	NO
FIXING CLIP	NO
DIMENSIONS	SD-85003-0001 SHT 1

C	G2/O	c1-32
B	G2/O	b1-32
A	G2/O	a1-32
CONTACT SYMBOL	PERFORMANCE LEVEL	CONTACT POSITION NUMBER

EC NO. 2004-XXXX DRAWN S. 09/09/03 CHK G.L. 09/09/03 APPR G.L. 09/09/03	QUALITY SYMBOLS MAJOR \blacktriangledown CRITICAL \blacktriangledown	GENERAL TOLERANCES: (UNLESS SPECIFIED) 4 PLACES $\pm 0.$ mm $\pm.$ INCH 3 PLACES $\pm 0.$ mm $\pm.$ INCH 2 PLACES $\pm 0.$ mm $\pm.$ INCH 1 PLACE $\pm 0.$ mm $\pm.$ INCH	SCALE <input checked="" type="checkbox"/> DIM INCH <input type="checkbox"/> INCH	DESIGN UNITS <input checked="" type="checkbox"/> DIM INCH <input type="checkbox"/> DIM INCH	THIRD ANGLE PROJECTION <input type="checkbox"/> DIM INCH <input type="checkbox"/> DIM INCH <input checked="" type="checkbox"/> DIM INCH	DIMENSIONS: <input type="checkbox"/> DIM INCH <input type="checkbox"/> DIM INCH <input checked="" type="checkbox"/> DIM INCH	SHEET NO. 1 OF 1 REVISE ON CAD ONLY
	DRAWN BY & DATE S.S. 09/09/1999	TITLE: 96 POS MALE CONNECTOR ACCORDING DIN 41612 STYLE C CONTACTS ARRANGEMENT					
	CHECKED BY & DATE G.L. 09/09/1999	MOLEX INCORPORATED					
	APPROVED BY & DATE G.L. 09/09/1999	CAD FILENAME SD-85003-0177.S0	MATERIAL NO. 85003-0177	DRAWING NO. SD-85003-0177	SHEET NO. 1 OF 1		
DRAFT WHERE APPLICABLE MUST REMAIN WITHIN DIMENSIONS		THIS DRAWING CONTAINS INFORMATION THAT IS PROPRIETARY TO MOLEX INCORPORATED AND SHOULD NOT BE USED WITHOUT WRITTEN PERMISSION.					

24-border.DGN REV 4 19 18 17 16 15 14 13 12 11 10 9 8 7 6 5 4 3 2 1 96/06/12 LEVEL 6