

PLEASE CHECK WWW.MOLEX.COM FOR LATEST PART INFORMATION

Part Number: [0444741811](#)

Status: **Active**

Overview: [minifit_plus_hcs](#)

Description: 4.20mm Pitch Mini-Fit® HCS™ Header, Dual Row, Vertical, Blind Mating, with Snap-in Plastic Peg PCB Lock, 18 Circuits, PA Polyamide Nylon 6/6 94V-2, without Drain Holes, Halogen Free

Documents:

[3D Model](#)

[Drawing \(PDF\)](#)

[Product Specification PS-44476-001 \(PDF\)](#)

[RoHS Certificate of Compliance \(PDF\)](#)

Agency Certification

CSA LR19980
UL E29179

General

Product Family PCB Headers
Series [44474](#)
Application Board-to-Board, Power, Wire-to-Board
Comments Square Pin|Solder Type
Overview [minifit_plus_hcs](#)
Product Name Mini-Fit® HCS

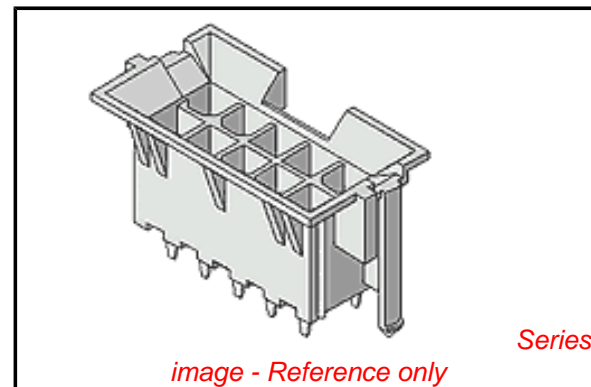
Physical

Breakaway No
Circuits (Loaded) 18
Circuits (maximum) 18
Color - Resin Natural
Durability (mating cycles max) 30
Flammability 94V-2
Glow-Wire Compliant Yes
Material - Metal High Performance Alloy (HPA)
Material - Plating Mating Tin
Material - Plating Termination Tin
Material - Resin Nylon
Number of Rows 2
Orientation Vertical
PC Tail Length 3.50mm
PCB Locator Yes
PCB Retention Yes
PCB Thickness - Recommended 1.80mm
Packaging Type Tray
Pitch - Mating Interface 4.20mm
Plating min - Mating 2.540µm
Plating min - Termination 2.540µm
Polarized to PCB Yes
Shrouded Fully
Stackable No
Surface Mount Compatible (SMC) No
Temperature Range - Operating -40°C to +105°C
Termination Interface: Style Through Hole

Electrical

Current - Maximum per Contact 11A
Voltage - Maximum 600V

Solder Process Data



EU RoHS

ELV and RoHS Compliant

REACH SVHC

**Contains SVHC: No
Low-Halogen Status
Low-Halogen**

China RoHS



Need more information on product environmental compliance?

Email productcompliance@molex.com
For a multiple part number RoHS Certificate of Compliance, [click here](#)

Please visit the [Contact Us](#) section for any non-product compliance questions.

Search Parts in this Series

44474Series

Mates With

42474 , 44475 , 44516 , 5557d

Duration at Max. Process Temperature (seconds)	5
Lead-free Process Capability	Wave Capable (TH only)
Max. Cycles at Max. Process Temperature	1
Process Temperature max. C	260

Material Info

Reference - Drawing Numbers

Product Specification	PS-44476-001, RPS-44476-001
Sales Drawing	SDA-44474-****

This document was generated on 01/23/2012

PLEASE CHECK WWW.MOLEX.COM FOR LATEST PART INFORMATION