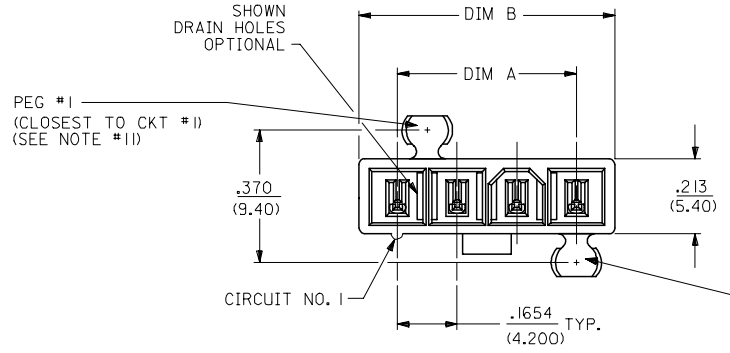
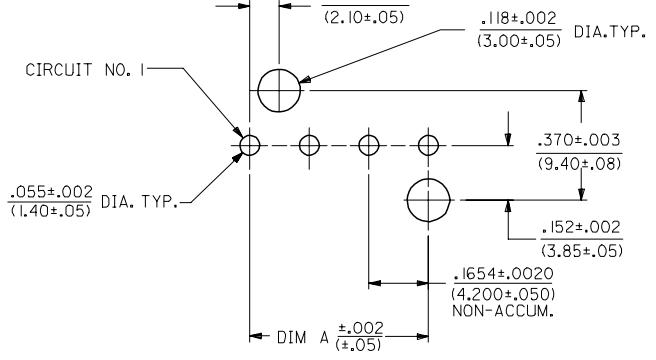


- NOTES:
- HOUSING MATERIAL:
    - NYLON 6/6, U.L. 94V-2, COLOR: NATURAL.
    - NYLON 6/6, U.L. 94V-0, COLOR: NATURAL.
    - NYLON 6/6, U.L. 94V-2, COLOR: DYED BLACK.
  - TERMINAL MATERIAL: OLIN ALLOY C197
  - PART MATES WITH MIN.I-FIT JR. RECEPTACLE NO. 5557.
  - PART IS DESIGNED IN METRIC.
  - TERMINAL PLATING:
    - \*1 - BRIGHT TIN 100 M.I. MIN. OVER 50 M.I. MIN. NICKEL
    - \*2 - SELECTIVE GOLD 30 M.I. MIN. WITH SELECT BRIGHT TIN 100 M.I. MIN. OVER 50 M.I. MIN. NICKEL OVERALL.
  - THE PRIMARY SHIPPING CARTON WILL BE LABELED "COMPLIANT TO RoHS DIRECTIVE 2002/95/EC AND ELV ANNEX II OF DIRECTIVE 2000/53/EC". CARTONS WITHOUT THIS LABEL MAY CONTAIN PRODUCT WITH TIN-LEAD PLATING.

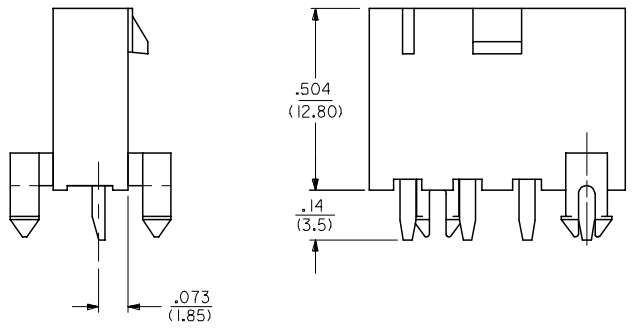


- PRODUCT SPECIFICATION AND PROCESSING PARAMETERS SEE: PSX-44476-0001.
- PARTS ARE NOT TO BE MATED OR UNMATED WHILE CIRCUITS ARE LIVE.
- 44472-2470 ONLY FOR WIDER LOCKING RAMP
- SEE THE CHART FOR PACKAGING REQUIREMENTS.
- PARTS PRODUCED AFTER JULY 1, 2004 WILL HAVE "HCS" MARKING INSTEAD OF BLACK STRIPE.
- SEE CHART FOR PARTS WITH PEGS REMOVED

CKT SIZE	DIM A	DIM B
4	.496 (12.60)	.709 (18.00)
5	.661 (16.80)	.874 (22.20)
6	.827 (21.00)	1.039 (26.40)
7	.992 (25.20)	1.205 (30.60)
8	1.157 (29.40)	1.370 (34.80)
9	1.323 (33.60)	1.535 (39.00)
10	1.488 (37.80)	1.701 (43.20)
11	1.654 (42.00)	1.866 (47.40)
12	1.819 (46.20)	2.031 (51.60)



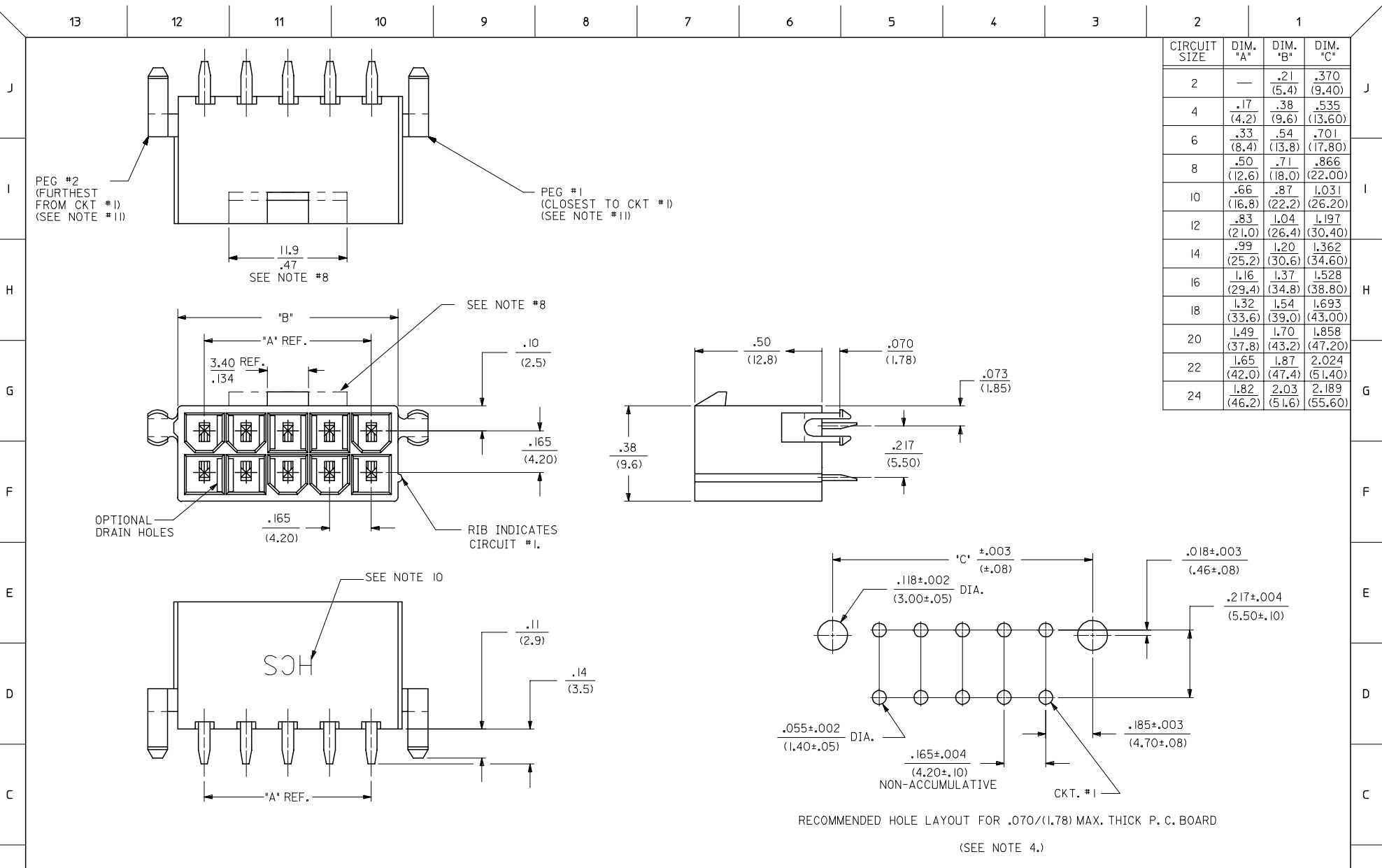
RECOMMENDED HOLE LAYOUT FOR  
.070/(1.78) MAX. THICK P. C. BOARD  
(SEE NOTE 4)



LEGEND:  
44472 - \*\* \*\*  
CIRCUIT SIZE (04-12 FOR SINGLE ROW) (02-24 FOR DUAL ROW)  
ASSEMBLY VERSION (01 THRU 49 FOR SINGLE ROW) (50 THRU 99 FOR DUAL ROW)

SEE SHT. 2 FOR DUAL ROW  
\* THE CHART FOR SINGLE ROW PRODUCT IS ON PAGE 7

ADD TOLERANCES FC NO: UCP2005-2446 DRWNLSTEWART 2005/05/05 CHKD:GOLGAR 2005/05/11 APPR:YMARGULLI 2005/05/16 H3	QUALITY SYMBOLS ▽=0 ▽=0	GENERAL TOLERANCES (UNLESS SPECIFIED) mm INCH 4 PLACES ± --- ± --- 3 PLACES ± --- ± .015 2 PLACES ± 0.38 ± .020 1 PLACE ± 0.50 ± --- ANGULAR ±1/2°	DIMENSION STYLE IN/MM DRAWN BY DATE GEP 1994/07/25 CHECKED BY DATE RJF 1994/07/25 APPROVED BY DATE RJF 1994/07/25	SCALE 4:1 DESIGN UNITS INCH THIRD ANGLE PROJECTION	TITLE MINI-FIT VERT HDR ASSY W & W/O PEGS/DRAIN HOLES SINGLE AND DUAL ROW
	DRAFT WHERE APPLICABLE MUST REMAIN WITHIN DIMENSIONS	MATERIAL NO. SEE CHART	DOCUMENT NO. SDA-44472-****	SHEET NO. 1 OF 8	
	THIS DRAWING CONTAINS INFORMATION THAT IS PROPRIETARY TO MOLEX INCORPORATED AND SHOULD NOT BE USED WITHOUT WRITTEN PERMISSION				
	MOLEX MOLEX INCORPORATED				



CIRCUIT SIZE	DIM. "A"	DIM. "B"	DIM. "C"
2	—	.21 (5.4)	.370 (9.40)
4	.17 (4.2)	.38 (9.6)	.535 (13.60)
6	.33 (8.4)	.54 (13.8)	.701 (17.80)
8	.50 (12.6)	.71 (18.0)	.866 (22.00)
10	.66 (16.8)	.87 (22.2)	1.031 (26.20)
12	.83 (21.0)	1.04 (26.4)	1.197 (30.40)
14	.99 (25.2)	1.20 (30.6)	1.362 (34.60)
16	1.16 (29.4)	1.37 (34.8)	1.528 (38.80)
18	1.32 (33.6)	1.54 (39.0)	1.693 (43.00)
20	1.49 (37.8)	1.70 (43.2)	1.858 (47.20)
22	1.65 (42.0)	1.87 (47.4)	2.024 (51.40)
24	1.82 (46.2)	2.03 (51.6)	2.189 (55.60)

SEE SHT. I FOR SINGLE ROW

<b>SEE SHEET ONE</b> EC NO: DRWNLSTEWART 2005/05/05 CHKD: GPOLGAR APPR:	QUALITY SYMBOLS 	GENERAL TOLERANCES (UNLESS SPECIFIED) <table border="1"> <tr> <th></th> <th>mm</th> <th>INCH</th> </tr> <tr> <td>4 PLACES</td> <td>± .005</td> <td>± .0005</td> </tr> <tr> <td>3 PLACES</td> <td>± .008</td> <td>± .001</td> </tr> <tr> <td>2 PLACES</td> <td>± 0.015</td> <td>± .002</td> </tr> <tr> <td>1 PLACE</td> <td>± 0.038</td> <td>± .005</td> </tr> </table>		mm	INCH	4 PLACES	± .005	± .0005	3 PLACES	± .008	± .001	2 PLACES	± 0.015	± .002	1 PLACE	± 0.038	± .005	DIMENSION STYLE IN/MM	SCALE 4:1	DESIGN UNITS INCH	THIRD ANGLE PROJECTION 
		mm	INCH																		
	4 PLACES	± .005	± .0005																		
	3 PLACES	± .008	± .001																		
	2 PLACES	± 0.015	± .002																		
1 PLACE	± 0.038	± .005																			
		DRAWN BY: GEP DATE: 07/26/94	TITLE MINI-FIT VERT HDR ASSY W & W/O PEGS/DRAIN HOLES SINGLE AND DUAL ROW																		
		CHECKED BY: RJF DATE: 07/26/94																			
		APPROVED BY: RJF DATE: 07/26/94																			
		MATERIAL NO. SEE CHART	DOCUMENT NO. SDA-44472-****		SHEET NO. 2																

	13	12	11	10	9	8	7	6	5	4	3	2	1	
J	PLATING: I (SEE NOTE 5)			PLATING: I (SEE NOTE 5)			PLATING: I (SEE NOTE 5)			PLATING: I (SEE NOTE 5)				
	DRAINS: WITHOUT DRAIN HOLES			DRAINS: WITHOUT DRAIN HOLES			DRAINS: WITH DRAIN HOLES			DRAINS: WITH DRAIN HOLES			J	
	PEGS: WITH PEGS			PEGS: WITH PEGS			PEGS: WITH PEGS			PEGS: WITH PEGS				
	MAT'L: 94V-2 [NATURAL]			MAT'L: 94V-0 [NATURAL]			MAT'L: 94V-2 [NATURAL]			MAT'L: 94V-0 [NATURAL]				
	PACKAGING: PK-44472-001			PACKAGING: PK-44472-001			PACKAGING: PK-44472-001			PACKAGING: PK-44472-001				
I	ITEM NO.		CKTS	ITEM NO.		CKTS	ITEM NO.		CKTS	ITEM NO.		CKTS		
	44472-0250		2	44472-0251		2	44472-0252		2	44472-0253		2		
	44472-0450		4	44472-0451		4	44472-0452		4	44472-0453		4		
	44472-0650		6	44472-0651		6	44472-0652		6	44472-0653		6		
	44472-0850		8	44472-0851		8	44472-0852		8	44472-0853		8		
	44472-1050		10	44472-1051		10	44472-1052		10	44472-1053		10		
	44472-1250		12	44472-1251		12	44472-1252		12	44472-1253		12		
	44472-1450		14	44472-1451		14	44472-1452		14	44472-1453		14		
	44472-1650		16	44472-1651		16	44472-1652		16	44472-1653		16		
H	44472-1850		18	44472-1851		18	44472-1852		18	44472-1853		18	H	
	44472-2050		20	44472-2051		20	44472-2052		20	44472-2053		20		
	44472-2250		22	44472-2251		22	44472-2252		22	44472-2253		22		
	44472-2450		24	44472-2451		24	44472-2452		24	44472-2453		24		

G	PLATING: I (SEE NOTE 5)			PLATING: I (SEE NOTE 5)			
	DRAINS: WITHOUT DRAIN HOLES			DRAINS: WITHOUT DRAIN HOLES			
	PEGS: WITHOUT PEGS			PEGS: WITHOUT PEGS			
	MAT'L: 94V-2 [NATURAL]			MAT'L: 94V-0 [NATURAL]			
	PACKAGING: PK-44472-001			PACKAGING: PK-44472-001			
F	ITEM NO.	HOUSING NO.	CKTS	ITEM NO.		CKTS	
	44472-0254		2	44472-0255		2	
	44472-0454		4	44472-0455		4	
	44472-0654		6	44472-0655		6	
	44472-0854		8	44472-0855		8	
	44472-1054		10	44472-1055		10	
	44472-1254		12	44472-1255		12	
E	44472-1454		14	44472-1455		14	
	44472-1654		16	44472-1655		16	
	44472-1854		18	44472-1855		18	
	44472-2054		20	44472-2055		20	
	44472-2254		22	44472-2255		22	
	44472-2454		24	44472-2455		24	

\* ITEMS PRECEDED BY AN "X" ARE NOT AVAILABLE.

SEE SHEET ONE EC NO: 2005/05/05 DRAWN BY: DRW/NEC/STEWART CHKD: G/FOLGAR APPR: H3 REV: H3	QUALITY SYMBOLS	GENERAL TOLERANCES (UNLESS SPECIFIED)	DIMENSION STYLE	SCALE	DESIGN UNITS	THIRD ANGLE PROJECTION	
	▽=0 ▽=0	mm INCH	IN/MM	2:1	INCH		
		4 PLACES ± --- ± --- 3 PLACES ± --- ± --- 2 PLACES ± --- ± --- 1 PLACE ± --- ± ---	DRAWN BY DATE LEM 02/22/99	TITLE	MINI-FIT VERT HDR ASSY W & W/O PEGS/DRAIN HOLES SINGLE AND DUAL ROW		
		ANGULAR ±1/2°	CHECKED BY DATE MAB 02/22/99	APPROVED BY DATE RRE 02/22/99	MOLEX MOLEX INCORPORATED		
	DRAFT WHERE APPLICABLE MUST REMAIN WITHIN DIMENSIONS	SEE CHART	MATERIAL NO.	DOCUMENT NO.	SHEET NO.		
					3		
			THIS DRAWING CONTAINS INFORMATION THAT IS PROPRIETARY TO MOLEX INCORPORATED AND SHOULD NOT BE USED WITHOUT WRITTEN PERMISSION				