

**PLEASE CHECK WWW.MOLEX.COM FOR LATEST PART INFORMATION**

**Part Number:** [0432028919](#)  
**Status:** **Active**  
**Overview:** Magnetic and Modular Jacks/Plugs  
**Description:** Modular Jack, Right-Angle, Low Profile, Shielded, All Panel Grounding Tabs, with Bottom Grounding Tab, Front Position PCB Ground Tab, 8/8

**Documents:**

|                                |  |
|--------------------------------|--|
| <a href="#">3D Model</a>       | <a href="#">Product Specification PS-43202-001-001 (PDF)</a>   |
| <a href="#">Drawing (PDF)</a>  | <a href="#">Packaging Specification PK-43202-004-001 (PDF)</a> |
| <a href="#">3D Model (PDF)</a> | <a href="#">RoHS Certificate of Compliance (PDF)</a>           |

**Agency Certification**

|     |         |
|-----|---------|
| CSA | LR19980 |
| UL  | E107635 |

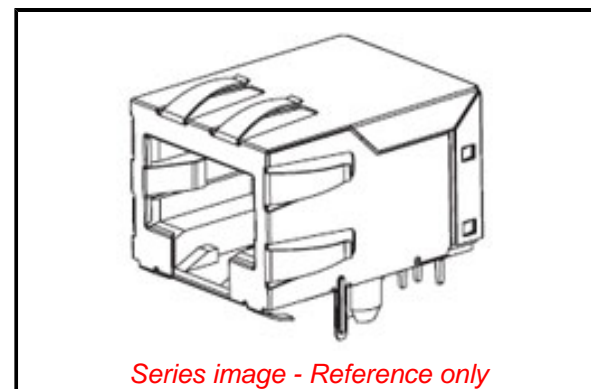
**General**

|                           |  |
|---------------------------|--|
| Product Family            | Modular Jacks/Plugs                              |
| Series                    | <a href="#">43202</a>                            |
| Comments                  | Enhanced panel grounding tabs                    |
| Component Type            | PCB Jack   |
| Magnetic                  | No   |
| Overview                  | <a href="#">Magnetic and Modular Jacks/Plugs</a> |
| Performance Category      | 3  |
| Power over Ethernet (PoE) | N/A  |
| Product Name              | Modular Jack 8/8, RJ45                           |
| Taxonomy                  | Modular Jacks and Plugs                          |
| UPC                       | 800754883467                                     |

**Physical**

|                                |                                |
|--------------------------------|--------------------------------|
| Color - Resin                  | Black                          |
| Durability (mating cycles max) | 500                            |
| Flammability                   | 94V-0                          |
| Inverted / Top Latch           | No                             |
| Jack Height                    | 12.09mm                        |
| Lightpipes/LEDs                | None                           |
| Material - Metal               | Brass, Phosphor Bronze         |
| Material - Plating Mating      | Gold                           |
| Material - Plating Termination | Tin                            |
| Material - Resin               | High Temperature Thermoplastic |
| Net Weight                     | 4.297/g                        |
| Orientation                    | Right Angle (Side Entry)       |
| PCB Retention                  | Yes                            |
| PCB Thickness - Recommended    | 1.57mm                         |
| Packaging Type                 | Tray                           |
| Panel Mount                    | Without Flange                 |
| Pitch - Mating Interface       | 1.02mm                         |
| Pitch - Termination Interface  | 1.27mm                         |
| Plating min - Mating           | 1.270µm                        |
| Plating min - Termination      | 2.540µm                        |
| Port Configuration             | 1x1                            |
| Positions / Loaded Contacts    | 8/8                            |
| Surface Mount Compatible (SMC) | Yes                            |
| Temperature Range - Operating  | -40° to +85°C                  |
| Termination Interface: Style   | Through Hole                   |
| Wire/Cable Type                | N/A                            |

**Electrical**



**EU ELV**

**Not Relevant**

**EU RoHS**

**Compliant**

**REACH SVHC**

Not Contained Per -  
D(2022)4187-DC (10  
June 2022)

**Halogen-Free**

**Status**

**Low-Halogen**

For more information, please visit [Contact US](#)

China ROHS

ELV

RoHS Phthalates

**China RoHS**

Green Image

Not Relevant

Not Contained

**Search Parts in this Series**

[43202 Series](#)

**Mates With**

FCC 68 Plugs

|                               |               |
|-------------------------------|---------------|
| Current - Maximum per Contact | 1.5A          |
| Grounding to PCB              | Yes           |
| Grounding to Panel            | Yes           |
| Shielded                      | Yes           |
| Voltage - Maximum             | 150V AC (RMS) |

**Solder Process Data**

|  |      |
|--|------|
| Duration at Max. Process Temperature (seconds) | 005  |
| Lead-free Process Capability                   | WAVE |
| Max. Cycles at Max. Process Temperature        | 001  |
| Process Temperature max. C                     | 260  |

**Material Info****Reference - Drawing Numbers**

|                         |                  |
|-------------------------|------------------|
| Packaging Specification | PK-43202-004-001 |
| Product Specification   | PS-43202-001-001 |
| Sales Drawing           | SDA-43202-001    |

This document was generated on 08/27/2022

**PLEASE CHECK [WWW.MOLEX.COM](http://WWW.MOLEX.COM) FOR LATEST PART INFORMATION**