

PLEASE CHECK WWW.MOLEX.COM FOR LATEST PART INFORMATION

Part Number: [0432028819](#)
Status: **Active**
Overview: Magnetic and Modular Jacks/Plugs
Description: Modular Jack, Right-Angle, Low Profile, Shielded, All Panel Grounding Tabs, without Bottom Grounding Tab, Front Position PCB Ground Tab, 8/8

Documents:

| | |
|--------------------------------|--|
| 3D Model | Product Specification PS-43202-001-001 (PDF) |
| Drawing (PDF) | Packaging Specification PK-43202-004-001 (PDF) |
| 3D Model (PDF) | RoHS Certificate of Compliance (PDF) |

Agency Certification

| | |
|-----|---------|
| CSA | LR19980 |
| UL | E107635 |

General

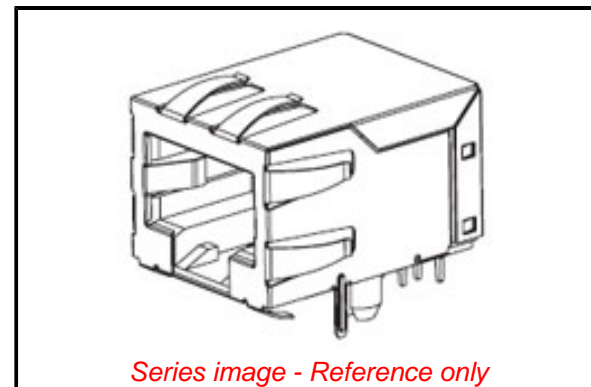
| | |
|---------------------------|--|
| Product Family | Modular Jacks/Plugs |
| Series | 43202 |
| Component Type | PCB Jack |
| Magnetic | No |
| Overview | Magnetic and Modular Jacks/Plugs |
| Performance Category | 3 |
| Power over Ethernet (PoE) | N/A |
| Product Name | Modular Jack 8/8, RJ45 |
| Taxonomy | Modular Jacks and Plugs |
| UPC | 800756072739 |

Physical

| | |
|--------------------------------|--------------------------------|
| Color - Resin | Black |
| Durability (mating cycles max) | 500 |
| Flammability | 94V-0 |
| Inverted / Top Latch | No |
| Jack Height | 11.81mm |
| Lightpipes/LEDs | None |
| Material - Metal | Brass, Phosphor Bronze |
| Material - Plating Mating | Gold |
| Material - Plating Termination | Tin |
| Material - Resin | High Temperature Thermoplastic |
| Net Weight | 4.246/g |
| Orientation | Right Angle (Side Entry) |
| PCB Retention | Yes |
| PCB Thickness - Recommended | 1.57mm |
| Packaging Type | Tray |
| Panel Mount | Without Flange |
| Pitch - Mating Interface | 1.02mm |
| Pitch - Termination Interface | 1.27mm |
| Plating min - Mating | 1.270µm |
| Plating min - Termination | 2.540µm |
| Port Configuration | 1x1 |
| Positions / Loaded Contacts | 8/8 |
| Surface Mount Compatible (SMC) | Yes |
| Temperature Range - Operating | -40° to +85°C |
| Termination Interface: Style | Through Hole |
| Wire/Cable Type | N/A |

Electrical

| | |
|-------------------------------|------|
| Current - Maximum per Contact | 1.5A |
|-------------------------------|------|



EU ELV

Not Relevant

EU RoHS

Compliant

REACH SVHC

Not Contained Per -
D(2022)4187-DC (10
June 2022)

Halogen-Free

Status

Not Low-Halogen

For more information, please visit [Contact US](#)

China ROHS

ELV

RoHS Phthalates

China RoHS

Green Image

Not Relevant

Not Contained

Search Parts in this Series

[43202 Series](#)

Mates With

FCC 68 Plugs

| | |
|--------------------|---------------|
| Grounding to PCB | Yes |
| Grounding to Panel | Yes |
| Shielded | Yes |
| Voltage - Maximum | 150V AC (RMS) |

Solder Process Data

| | |
|-----------------------------|------|
| Lead-freeProcess Capability | WAVE |
|-----------------------------|------|

Material Info**Reference - Drawing Numbers**

| | |
|-------------------------|------------------|
| Packaging Specification | PK-43202-004-001 |
| Product Specification | PS-43202-001-001 |
| Sales Drawing | SDA-43202-001 |

This document was generated on 08/26/2022

PLEASE CHECK WWW.MOLEX.COM FOR LATEST PART INFORMATION