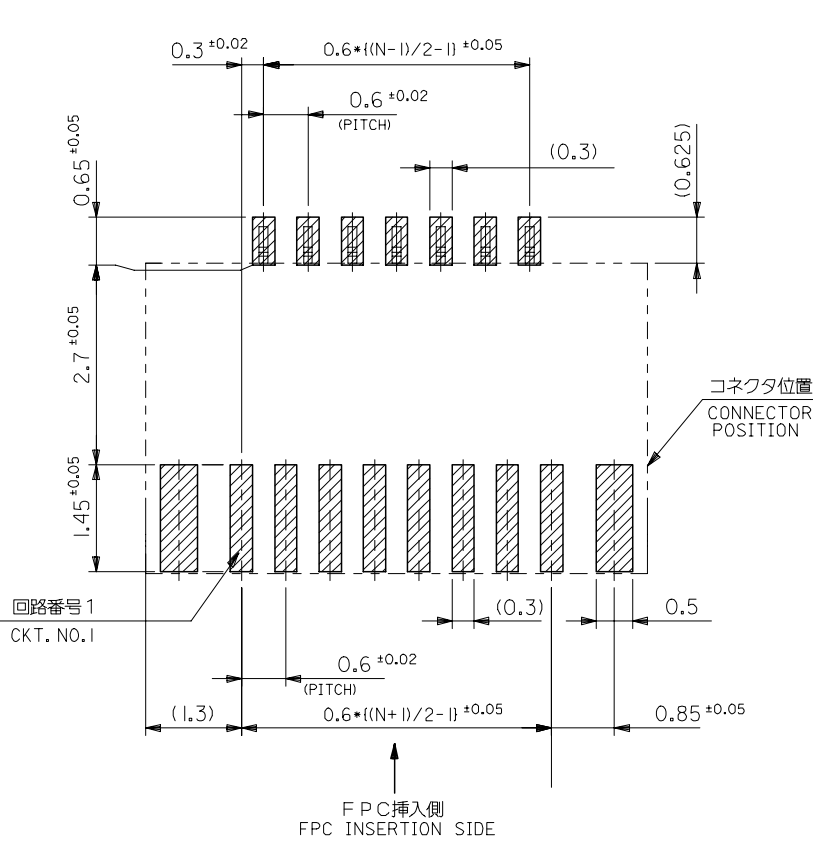


注記 NOTES

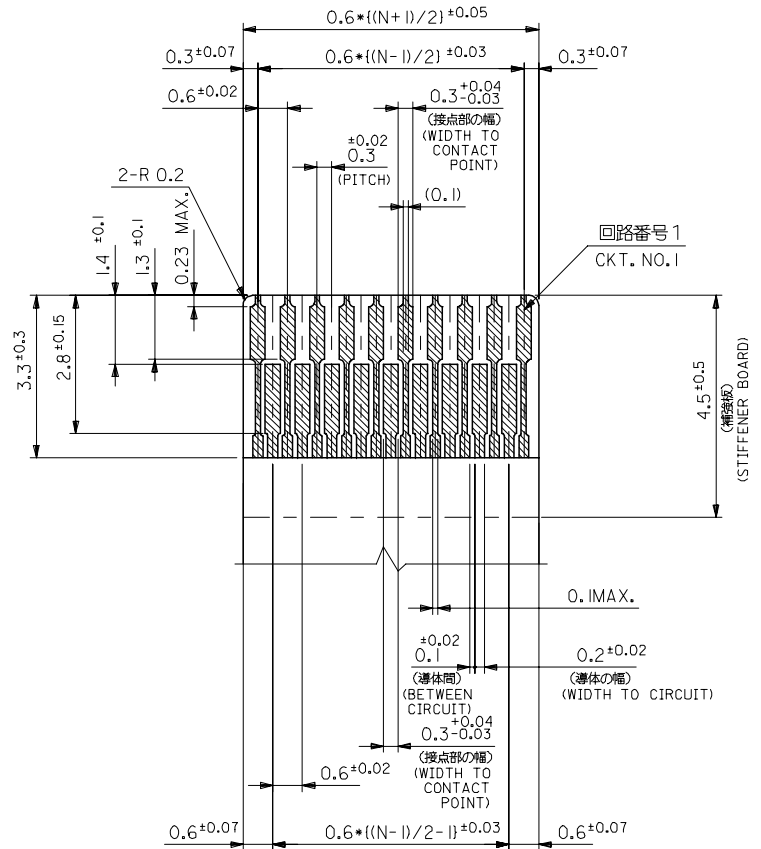
1. 使用材料 MATERIAL
 ハウジング HOUSING: LCP, UL94V-0
 アクチュエータ ACTUATOR: PA 46・UL94V-0
 ターミナル: リン青銅 (t=0.12), 銅・ビスマス (2%), ニッケル下地
 TERMINAL: PHOSPHOR BRONZE, TIN-2% BISMUTH OVER NICKEL PLATING.
 金具: リン青銅 (t=0.2), 銅メッキ, ニッケル下地
 STOPPER: PHOSPHOR BRONZE, TIN OVER NICKEL PLATING.
2. ソルダータール半田付け面のズレ量は、基準面 R に対し、
 上方向 0 MAX., 下方向 0.1 MAX. とする。
 又、相互のフラツキ量は 0.1 MAX. とする。
 MISALIGNMENT OF SOLDER TAILS AND FITTING NAILS FROM R
 UPPER DIRECTION: 0 MAX., LOWER DIRECTION: 0.1 MAX.
 OFFSET BETWEEN SOLDER TAILS AND FITTING NAILS: 0.1 MAX.
3. 一般公差: ± 0.3
 GENERAL TOLERANCES: ± 0.3
4. 本製品は 54809-**27 の鉛フリー品である。
 THIS PRODUCT IS LEAD FREE OF 54809-**27

15.6	15.0	14.4	17.6	54809-5128	51
15.0	14.4	13.8	17.0	54809-4928	49
13.8	13.2	12.6	15.8	54809-4528	45
12.0	11.4	10.8	14.0	54809-3928	39
10.8	10.2	9.6	12.8	54809-3528	35
10.2	9.6	9.0	12.2	54809-3328	33
9.6	9.0	8.4	11.6	54809-3128	31
8.4	7.8	7.2	10.4	54809-2728	27
7.8	7.2	6.6	9.8	54809-2528	25
6.6	6.0	5.4	8.6	54809-2128	21
6.0	5.4	4.8	8.0	54809-1928	19
4.8	4.2	3.6	6.8	54809-1528	15
3.6	3.0	2.4	5.6	54809-1128	11
D C B A				MATERIAL NO.	CKT.
54809-**28				MODEL NO.	

REVISED EC NO: J2006-2755 DRW: NESATO CHKD: 2006/03/02 APPR: NUKITA 2006/03/03	GENERAL TOLERANCES (UNLESS SPECIFIED)		DIMENSION STYLE MM ONLY		SCALE ---	DESIGN UNITS METRIC	THIRD ANGLE PROJECTION
	10 UNDER	\pm ---	DRAWN BY M. NABEI	DATE '03/12/22	TITLE 0.3 FPC CONN E/O HSG ASSY (H=1.3) -LEAD FREE-		
	10 OVER 30 UNDER	\pm ---	CHECKED BY K. TOJO	DATE '03/12/22	MOLEX INCORPORATED		
	30 OVER	\pm ---	APPROVED BY M. SASAO	DATE '03/12/22	DOCUMENT NO. SD-54809-036		
ANGULAR \pm --- °		MATERIAL NO.		DOCUMENT NO.		SHEET NO.	
DRAFT WHERE APPLICABLE MUST REMAIN WITHIN DIMENSIONS		SIZE A3		SEE CHART		1 OF 2	
THIS DRAWING CONTAINS INFORMATION THAT IS PROPRIETARY TO MOLEX INCORPORATED AND SHOULD NOT BE USED WITHOUT WRITTEN PERMISSION							



参考基板レイアウト
RECOMMENDED P.C.BOARD
PATTERN DIM. (REF.)
(マウント面)
(MOUNTING SIDE)



適合FPC推奨寸法
APPLICABLE FPC
RECOMMENDED DIM.
(仕上がり厚さ: 0.2 ±0.03)
(THICKNESS: 0.2 ±0.03)

FPCについて:
打抜き方向は、導体側から補強板側を推奨いたします。
補強フィルム材質は、ポリイミドを推奨いたします。
接着剤は、熱硬化接着剤を推奨いたします。

ABOUT FPC:
RECOMMENDED PUNCHER DIRECTION: FROM CONDUCTOR SIDE TO STIFFENER BOARD SIDE.

RECOMMENDED MATERIAL:
STIFFENER FILM: POLYIMIDE
BONDING AGENT: THERMOSETTING BONDING AGENT

REVISED EC NO: J2006-2755 DRW: NESATO CHKD: APPR: NUKITA	DESCRIPTION 2006/03/02 2006/03/02 2006/03/03	GENERAL TOLERANCES (UNLESS SPECIFIED)		DIMENSION STYLE MM ONLY		SCALE ---	DESIGN UNITS METRIC	THIRD ANGLE PROJECTION	
		10 UNDER	± ---	DRAWN BY M. NABE I	DATE '03/12/22	TITLE 0.3 FPC CONN E/0 HSG ASSY (H=1.3) -LEAD FREE-			
		10 OVER 30 UNDER	± ---	CHECKED BY K. TOJO	DATE '03/12/22	MOLEX INCORPORATED			
		30 OVER	± ---	APPROVED BY M. SASAO	DATE '03/12/22	DOCUMENT NO. SD-54809-036		SHEET NO. 2 OF 2	
		ANGULAR	± --- °	MATERIAL NO. SEE CHART					
DRAFT WHERE APPLICABLE MUST REMAIN WITHIN DIMENSIONS		SIZE A3		THIS DRAWING CONTAINS INFORMATION THAT IS PROPRIETARY TO MOLEX INCORPORATED AND SHOULD NOT BE USED WITHOUT WRITTEN PERMISSION					

F

E

D

C

B

A

F

E

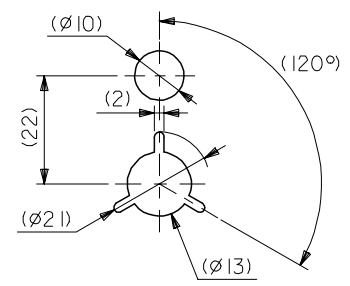
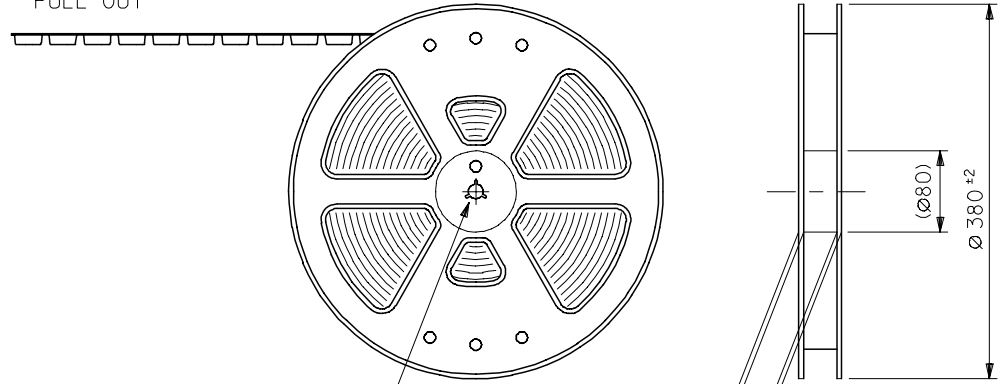
D

C

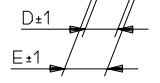
B

A

引き出し方向
PULL OUT

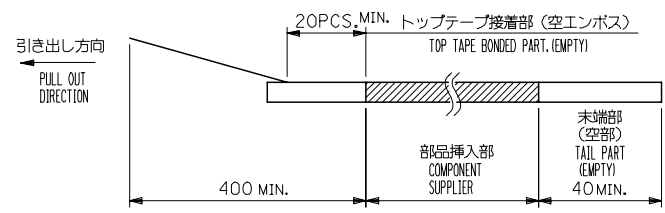


DETAIL 'F'

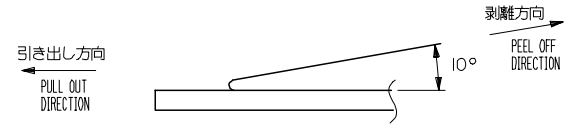


注記 NOTES

- 製品詳細寸法については、図面SD-54809-036を参照下さい。
RE DETAILED DIMENSION, SEE SD-54809-036.
- 梱包数量：2500個/リール
NUMBER OF CONNECTORS：2500PCS/REEL
- リードテープ長さ LEAD TAPE LENGTH



- トップテープの剥離強度：0.1 ~ 1.3N (10 ~ 130gf)
(剥離方向は下図参照)
尚、本規格値は出荷時に適用。(但し、輸送時に剥離が発生しないこと。)
PEELING OFF FORCE OF TOP TAPE：0.1 ~ 1.3N (10 ~ 130gf)
(PEELING DIRECTION AS SHOWN IN FOLLOWING FIG.)
THIS REQUIREMENT SHOULD BE APPLIED AT SHIPMENT.
PEEL OFF SHOULD NOT BE ALLOWED, DURING TRANSPORTATION.



- 材料 (MATERIAL)
キャリアテープ (CARRIER TAPE)：ポリプロピレン (POLYPROPYLENE)
トップテープ (TOP TAPE)：PET, PE, PEF
リール (REEL)：ポリスチレン (PS) <リサイクル材を含む>
POLYSTYRENE(PS) <RECYCLE MATERIAL CONTAINED>
- 本製品は54809-***91の鉛フリー品である。
THIS PRODUCT IS LEAD FREE OF 54809-***91

REVISED		EC NO: J2005-3243		2005/05/06		DRAWN: M.NABEI		2005/05/09		CHKD: K.TOYODA		2005/05/11		APPR: NUKITA		2005/05/11		DESCRIPTION	
GENERAL TOLERANCES (UNLESS SPECIFIED)		DIMENSION STYLE		SCALE		DESIGN UNITS		THIRD ANGLE PROJECTION		54809-***98		MODEL NO.							
10 UNDER		MM ONLY		---		METRIC		◎ □											
10 OVER 30 UNDER		DRAWN BY		DATE		TITLE		EMBSTP PKG											
30 OVER		M. NABEI		'03/12/22		FOR 0.3 FPC CONN E/O		-LEAD FREE-											
ANGULAR ± --- °		CHECKED BY		DATE		MOLEX INCORPORATED													
DRAFT WHERE APPLICABLE MUST REMAIN WITHIN DIMENSIONS		K. TOJO		'03/12/22		MATERIAL NO.		DOCUMENT NO.		SD-54809-037		SHEET NO.		1 OF 4					
		M. SASAO		'03/12/22		SEE CHART													
		SIZE		A3		THIS DRAWING CONTAINS INFORMATION THAT IS PROPRIETARY TO MOLEX INCORPORATED AND SHOULD NOT BE USED WITHOUT WRITTEN PERMISSION													

10 9 8 7 6 5 4 3 2 1

F

E

D

C

B

A

F

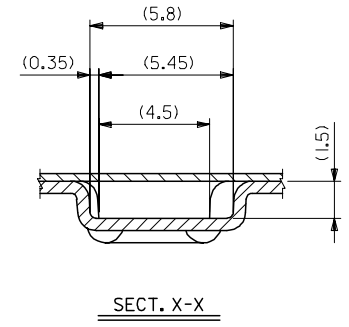
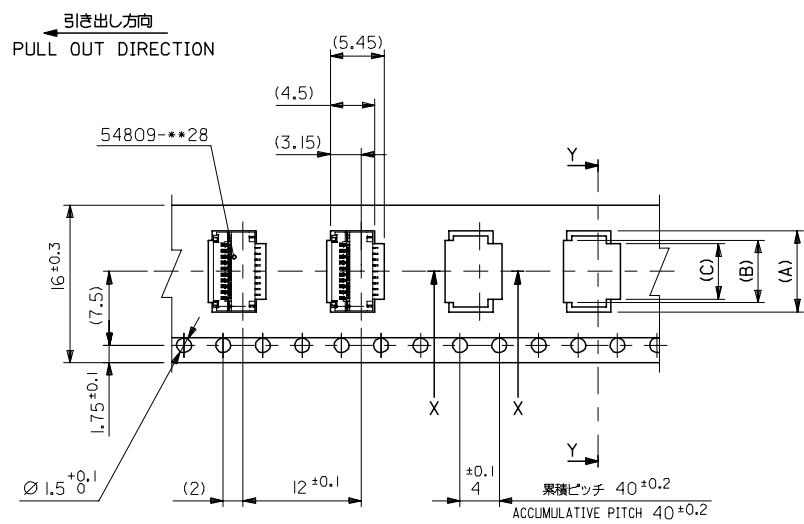
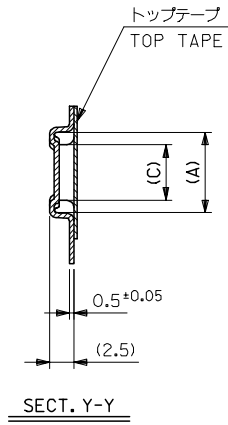
E

D

C

B

A



16mm幅キャリアテープ
16mm WIDTH CARRIER TAPE

16	21.4	17.4	6.2	6.9	8.8	54809-2198	21
			5.6	6.3	8.2	54809-1998	19
			4.4	5.1	7.0	54809-1598	15
			3.2	3.9	5.8	54809-1198	11
キャリアテープ幅 CARRIER TAPE WIDTH	E	D	C	B	A	MATERIAL NO.	極数 CKT.

REVISED EC NO: J2005-3243 DRAWN: NABE I CHKD: KTOYODA APPR: NUKITA 2005/05/06 2005/05/09 2005/05/11	GENERAL TOLERANCES (UNLESS SPECIFIED)		DIMENSION STYLE MM ONLY		SCALE ---	DESIGN UNITS METRIC	MODEL NO. 54809-***98	
	10 UNDER	± ---	DRAWN BY M. NABE I	DATE '03/12/22	TITLE EMBSTP PKG FOR 0.3 FPC CONN E/O -LEAD FREE-			
	10 OVER 30 UNDER	± ---	CHECKED BY K. TOJO	DATE '03/12/22	MATERIAL NO. SD-54809-037			
	30 OVER	± ---	APPROVED BY M. SASAO	DATE '03/12/22	SHEET NO. 2 OF 4			
	ANGULAR	± --- °	MATERIAL NO. SEE CHART		DOCUMENT NO. SD-54809-037			
DRAFT WHERE APPLICABLE MUST REMAIN WITHIN DIMENSIONS		THIS DRAWING CONTAINS INFORMATION THAT IS PROPRIETARY TO MOLEX INCORPORATED AND SHOULD NOT BE USED WITHOUT WRITTEN PERMISSION						

10 9 8 7 6 5 4 3 2 1

F

E

D

C

B

A

F

E

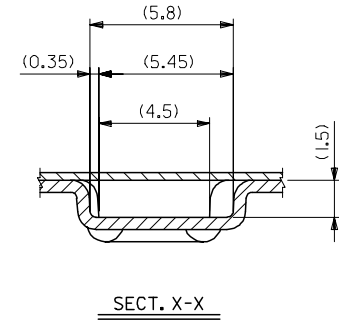
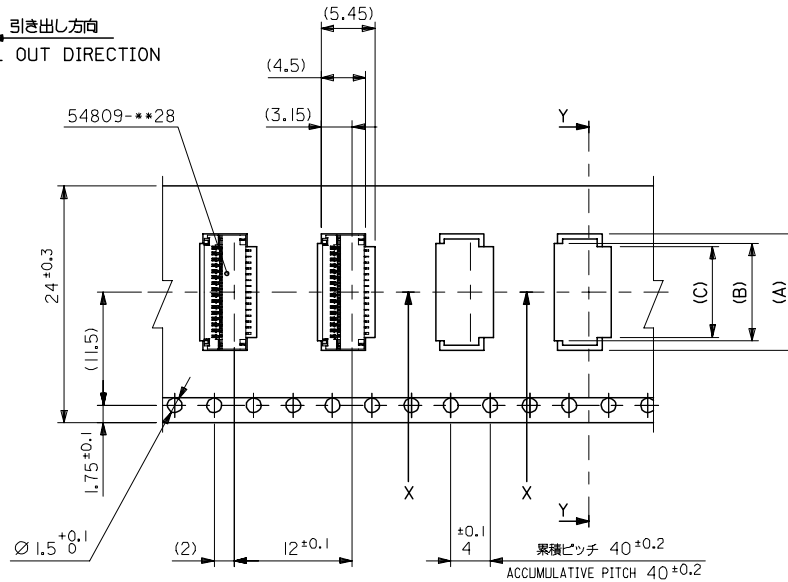
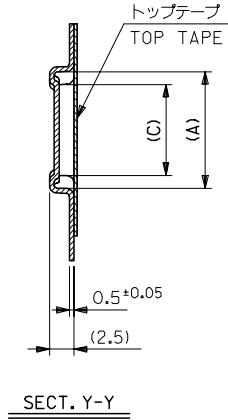
D

C

B

A

引き出し方向
PULL OUT DIRECTION



24mm幅キャリアテープ
24mm WIDTH CARRIER TAPE

24	29.4	25.4	13.4	14.1	16.0	54809-4598	45
			11.6	12.3	14.2	54809-3998	39
			10.4	11.1	13.0	54809-3598	35
			9.8	10.5	12.4	54809-3398	33
			9.2	9.9	11.8	54809-3198	31
			8.0	8.7	10.6	54809-2798	27
			7.4	8.1	10.0	54809-2598	25
キャリアテープ幅 CARRIER TAPE WIDTH	E	D	C	B	A	MATERIAL NO.	極数 CKT.

REVISED EC NO: J2005-3243 DRAWN: NABEI 2005/05/06 CHKD: KTOYODA 2005/05/09 APPR: NUKITA 2005/05/11	GENERAL TOLERANCES (UNLESS SPECIFIED)		DIMENSION STYLE MM ONLY		SCALE ---	DESIGN UNITS METRIC	MODEL NO.
	10 UNDER	± ---	DRAWN BY M. NABEI	DATE '03/12/22	TITLE EMBSTP PKG FOR 0.3 FPC CONN E/O -LEAD FREE-		
	10 OVER 30 UNDER	± ---	CHECKED BY K. TOJO	DATE '03/12/22	MOLEX INCORPORATED		
	30 OVER	± ---	APPROVED BY M. SASAO	DATE '03/12/22	DOCUMENT NO. SD-54809-037	SHEET NO. 3 OF 4	
	ANGULAR	± --- °	MATERIAL NO.	SEE CHART	THIS DRAWING CONTAINS INFORMATION THAT IS PROPRIETARY TO MOLEX INCORPORATED AND SHOULD NOT BE USED WITHOUT WRITTEN PERMISSION		
	DRAFT WHERE APPLICABLE MUST REMAIN WITHIN DIMENSIONS						

9

8

7

6

5

4

3

2

10 9 8 7 6 5 4 3 2 1

F

E

D

C

B

A

F

E

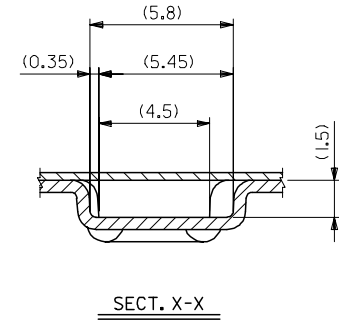
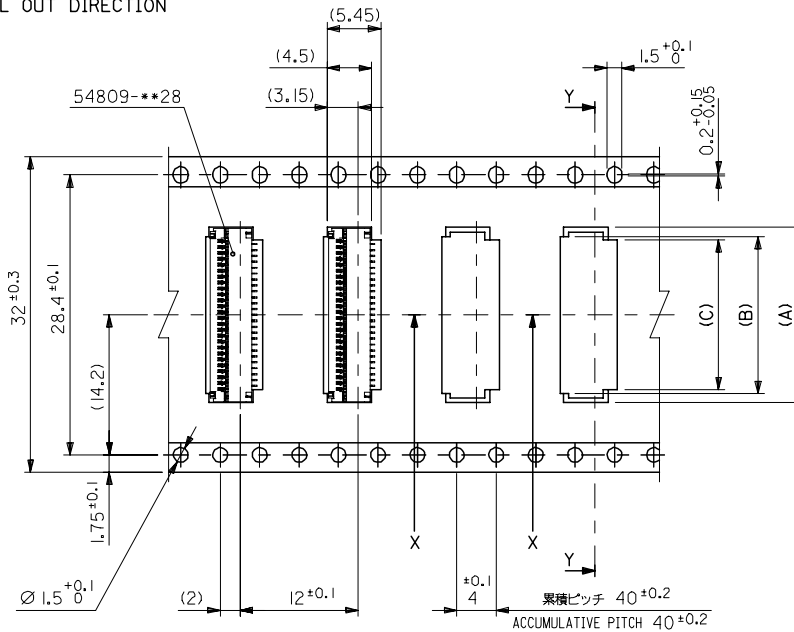
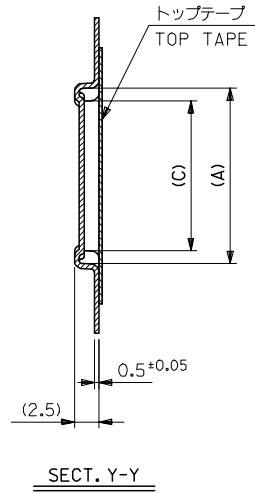
D

C

B

A

引き出し方向
PULL OUT DIRECTION



32mm幅キャリアテープ
32mm WIDTH CARRIER TAPE

32	37.4	33.4	15.2	15.9	17.8	54809-5198	51
キャリアテープ幅 CARRIER TAPE WIDTH	E	D	14.6	15.3	17.2	54809-4998	49
			C	B	A	MATERIAL NO.	種数 CKT.

REVISED EC NO: J2005-3243 DRAWN: NABE I CHKD: KTOYODA APPR: NUKITA 2005/05/06 2005/05/09 2005/05/11	GENERAL TOLERANCES (UNLESS SPECIFIED)		DIMENSION STYLE MM ONLY		SCALE ---	DESIGN UNITS METRIC	MODEL NO. 54809-**-98
	10 UNDER	± ---	DRAWN BY M. NABE I	DATE '03/12/22	TITLE EMBSTP PKG FOR 0.3 FPC CONN E/O -LEAD FREE-		
	10 OVER 30 UNDER	± ---	CHECKED BY K. TOJO	DATE '03/12/22	MATERIAL NO. SD-54809-037		
	30 OVER	± ---	APPROVED BY M. SASAO	DATE '03/12/22	SHEET NO. 4 OF 4		
	ANGULAR	± --- °	MATERIAL NO. SEE CHART		DOCUMENT NO. SD-54809-037		
A	DRAFT WHERE APPLICABLE MUST REMAIN WITHIN DIMENSIONS		SIZE A3		THIS DRAWING CONTAINS INFORMATION THAT IS PROPRIETARY TO MOLEX INCORPORATED AND SHOULD NOT BE USED WITHOUT WRITTEN PERMISSION		

9

8

7

6

5

4

3

2