

**PLEASE CHECK WWW.MOLEX.COM FOR LATEST PART INFORMATION**

**Part Number:** [0545611601](#)  
**Status:** **Planned for Obsolescence**  
**Overview:** [qf50](#)  
**Description:** 2.54mm (.100") Pitch QF-50™ Flat Cable Strain Relief, 16 Circuits

**Documents:**

<a href="#">3D Model</a>	<a href="#">Product Specification PS-54559-005 (PDF)</a>
<a href="#">Drawing (PDF)</a>	<a href="#">RoHS Certificate of Compliance (PDF)</a>
<a href="#">Product Specification PS-54559-004 (PDF)</a>	

**General**

Product Family	Accessories
Series	<a href="#">54561</a>
Application Tooling Part Link	<a href="#">572525100</a>
Component Type	Strain Relief
Overview	<a href="#">qf50</a>
Product Name	QF-50™

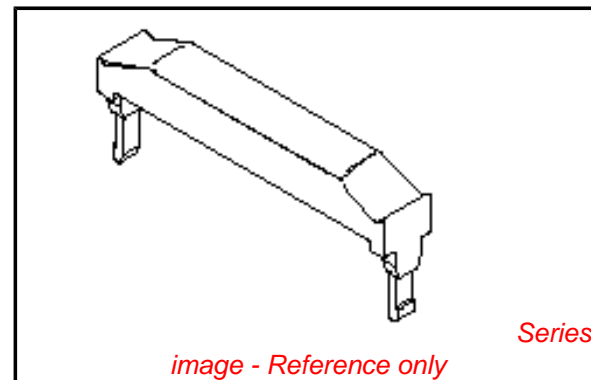
**Physical**

Circuits (Loaded)	16
Gender	N/A
Packaging Type	Tray
Temperature Range - Operating	-40°C to +85°C

**Material Info**

**Reference - Drawing Numbers**

Product Specification	PS-54559-004, PS-54559-005, RPS-54559-008, RPS-54559-010, RPS-54559-012, RPS-54559-014, RPS-54559-015, RPS-54559-016, RPS-54559-017
Sales Drawing	SD-54561-002



**EU RoHS**

**ELV and RoHS Compliant**

**REACH SVHC**

**Contains SVHC: No Low-Halogen Status Not Reviewed**

**China RoHS**



**Need more information on product environmental compliance?**

Email [productcompliance@molex.com](mailto:productcompliance@molex.com)  
 For a multiple part number RoHS Certificate of Compliance, [click here](#)

Please visit the [Contact Us](#) section for any non-product compliance questions.

**Search Parts in this Series**

[54561](#)Series

**Use With**

[54560](#) Upper Housing, [54559](#) Receptacle Housing

**Application Tooling | FAQ**

*Tooling specifications and manuals are found by selecting the products below. Crimp Height Specifications are then contained in the Application Tooling Specification document.*

**Japan**

**Description**

**Product #**

Clamp Tool For MIL IDT Connector	<a href="#">0572525100</a>
----------------------------------	----------------------------