

6

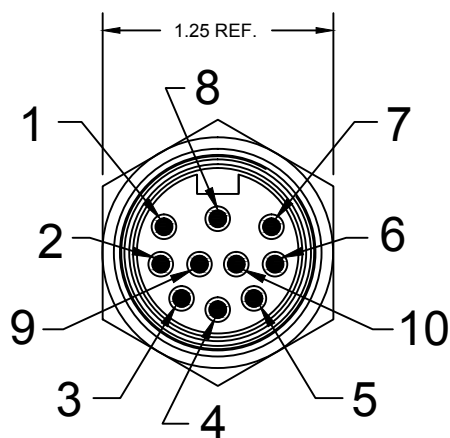
5

4

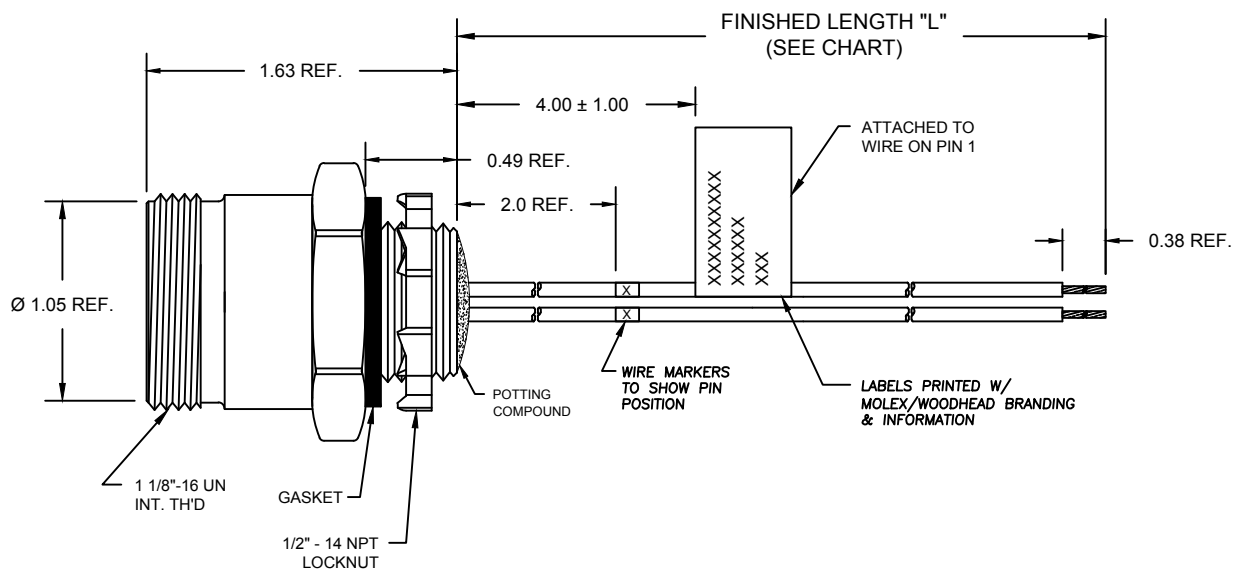
3

2

1



FACE VIEW - MALE



1	BLUE/YELLOW
2	BLUE/YELLOW
3	BLUE/YELLOW
4	BLUE/YELLOW
5	BLUE/YELLOW
6	BLUE/YELLOW
7	BLUE/YELLOW
8	GREEN
9	BLUE/YELLOW
10	WHITE/BLUE

MOLEX SAP P/N#	ENGINEERING P/N#	"L" (Meters)	"L" (INCH)	TOLERANCE (INCH)
1300150262	3R1006AA4M020D	2.0 M	78.74"	+3.50"/-0.00"
1300150264	3R1006AA4M040D	4.0 M	157.48"	+6.50"/-0.00"

SPECIFICATIONS:

SHELL MATERIAL: ZINC DIECAST W/ BLACK ELECTROPHORETIC COATING

CONTACT MATERIAL: GOLD/NICKEL OVER COPPER ALLOY

INSERT MATERIAL: YELLOW TPE

LOCKNUT: ZINC-PLATED STEEL

GASKET: BLACK NEOPRENE

WIRES: #16-1, PVC LEADS

ASSEMBLY RATING: 600V, 9A

ENVIRONMENTAL: -20°C TO 105°C
IP67 WHEN MATED

AGENCY APPROVALS: UL LISTED

INITIAL RELEASE EC NO: IPG2012-0406 DRWN: VOU 2010/12/16 CHKD: TWOLDEGE APPR: JFMURPHY 2013/04/05	QUALITY SYMBOLS =0 =0	GENERAL TOLERANCES (UNLESS SPECIFIED)		DIMENSION STYLE INCH	SCALE 1:1	DESIGN UNITS INCH	THIRD ANGLE PROJECTION
		4 PLACES	mm ±---	INCH ±---	DRAWN BY VOU	DATE 2010/12/16	TITLE MINI-CHANGE RECEPTACLE 10P MR 1/2 NPT MOUNT #16-1 PVC WIRES
2	REV	3 PLACES	±---	±.005	CHECKED BY TWOLDEGE	DATE 2013/03/04	MOLEX INCORPORATED
		2 PLACES	±0.13	±.010	APPROVED BY JFMURPHY	DATE 2013/04/05	
		1 PLACE	±0.25	±.020	MATERIAL NO.	DOCUMENT NO.	SHEET NO.
		ANGULAR ±1/2°		SEE CHART		SD-130015-012	1 OF 1
		DRAFT WHERE APPLICABLE MUST REMAIN WITHIN DIMENSIONS		THIS DRAWING CONTAINS INFORMATION THAT IS PROPRIETARY TO MOLEX INCORPORATED AND SHOULD NOT BE USED WITHOUT WRITTEN PERMISSION			